

DESCRIPTION:

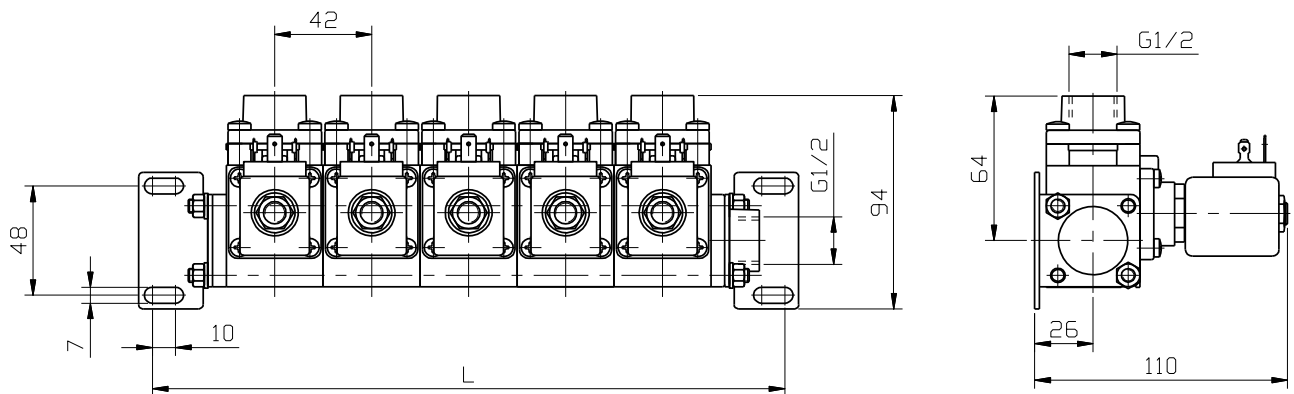
Manifold valve of modular design allows any number of modules and configurations. Basic element is a 2/2 pilot operated solenoid valve with NC or NO function (depending on actuator). Valve block may have 1 or 2 inlet and 2 to 8 outlet ports. Modules can be separated by a bulk wall if 2 inlets are used.

TECHNICAL DATA:

- **Internal parts:** stainless steel
- **Fluid temperature:** -10°C to +90°C
- **Ambient temperature:** max +55°C
- **Viscosity:** max 21 mm²/s
- **Response time:** 10 - 20 ms
- **Voltage:** 12/24 V DC; 24/48/115/230 V AC
- **Duty cycle:** continuous (ED100%)
- **Cycling rate:** max 1000 cpm
- **Electrical protection:** IP65

(with plug to ISO 4400)

DIMENSIONS [mm]:



No. of modules	Valve type	Length L
2	MB-2	148
3	MB-3	190
4	MB-4	232
5	MB-5	274
6	MB-6	316
7	MB-7	358
8	MB-8	400