

Plate-FabTM



CNC PLASMA & OXY-FUEL
CUTTING MACHINE



Unitized cutting machine offers either water or downdraft table.



CNC Controller Stand

Show with the Edge Connect controller

Precision that will get you more jobs.

The Plate-Fab cutting machine gives fabricators more precision and more production options at a lower cost. This machine can be configured with one plasma cutting torch and an optional oxy-fuel torch. The machine can be equipped with the latest technology to maximize cut quality utilizing the best that plasma can offer.

The Plate-Fab's unitized design offers two different table configurations. A double-walled downdraft cutting table that isolates sparks and fumes while providing insulation that reduces heat transfer from the torch to the machine. The downdraft table also has easy-to-remove, roll-out, clean-out pans that reduce the time needed for cleaning and shop floor space. The manual fill water table reduces smoke, sparks and dust. The optional manual pneumatic raise/lower water table allows the operator to set the correct water level.



Tuck Rail Design

Protects linear bearings, cable carrier, cables and hoses from harsh environments.



Precision Ground Rack & Drive Pinions

Large diameter pinions provides accurate and smooth machine motion.



Low Backlash Planetary Gearboxes

For smooth and accurate motion



Heavy-duty Linear Bearings both "X" & "Y" Axis

Provide smooth and accurate motion

CNC CONTROLLERS



Edge Connect TC - CNC Controller with Sensor THC Torch Height Control

- Windows® 10 Embedded
- Intel J1900 Quad -core MCU or equivalent
- 120GB SSD Hard Drive or better
- 4 GB DDR3 or better
- 19 inch Glass Touchscreen
- IntelliTouch Pro PCAP
- 2 USB 2.0 Ports
- Built in Wireless Communication
- Forward and backup on path function
- Skip to pierce or Skip part function
- Part Program Support
- Remote Help
- Supports Networking

- Auto Gas Support
- DXF Input
- Simple Shape Nesting
- Select-able Process Parameter table
- Cut Pro Wizard
- Pronest CNC version included (single part nesting)
- Optional multiple part nesting available
- Sure Cut technologies (True hole, Rapid Part when applicable)

Machine Voltage/Drive System

- Machine Input Power: 208VAC, 220VAC or 230VAC 60hz single phase 15amp or 230VAC or 240VAC Three phase 15amp
- AC Servo Drives



Flashcut Titanium Series CNC With Stingray Plasma Height Control

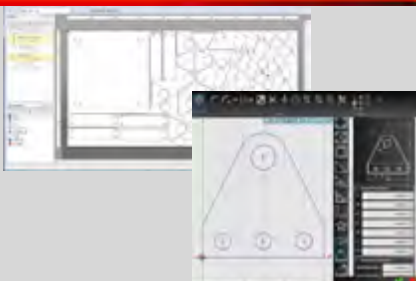
- 19 inch touch screen
- Nema 4 Waterproof Keyboard
- Integrated E-Stop
- Realtime visualization of torch path I
- Windows 10
- 5th generation Intel I3 Microprocessor or better
- 8GB RAM or better
- 120 GB SSD or better
- 2 USB Ports
- Standard editable shape library
- On-board Completely integrated FlashCut 2D CAD/CAM package

- DXF import/Silhouette import
- On-board automatic nesting software
- On-board Lead in and lead out type, positioning and length adjustment
- Remote diagnostics
- One seat of Flashcut Titanium Software for remote PC installation
- With Stingray THC and magnetic torch breakaway

Machine Voltage/Drive System

- Machine Input Power: 115V, 50-60hz single phase 15amp
- Servo Drives

SOFTWARE



Hypertherm® ProNest®

Standard Features Part creation and development

- Integrated 2D CAD program to create and edit CAD files
- Variable Shape Parts feature to develop common parts from templates
- CAD/CAM import and conversion
- Automatic nesting
- Interactive manual nesting
- Built-in process parameters
- Reporting

Flashcut CNC

From CAD to CAM to CNC in One Integrated Program

- CAD for drawing any 2-D shape
- CAM with automatic generation of lead in/outs
- Cut Wizard sets precise feedrates, cut heights based on material thickness
- Automatic kerf compensation
- Simple import of pictures and drawings
- True shape nesting of multiple parts
- One click brings tool path to CNC controller

* Software for Flashcut & Stingray THC

PLASMA SYSTEM OPTIONS

High Definition and Conventional Plasma Systems

Automatic or Manual gas setting. Koike Aronson offers high quality plasma cutting systems by Hypertherm®.

Each of these systems offer a wide variety of features and benefits. From the most basic systems to the most advanced in the market, KOIKE offers a plasma that is sure to meet your needs.

Choosing the right options for your application is not easy. Many options exist for the Plate-Fab. When you decide to buy a cutting machine from KOIKE, not only are you getting a high quality machine designed to perform and last, but most importantly, you are getting the know-how that comes with almost a century worth of experience.

Your application, your job and your factory come first. You'll find that working with our Cutting Machine Business Unit means attention to detail and finding the right machine that fits your application(s) and your budget too.

powermax[®] series



powermax65- Production Pierce 1/2" Mild Steel

powermax85- Production Pierce 5/8" Mild Steel

powermax105- Production Pierce 3/4" Mild Steel

powermax125- Production Pierce 1" Mild Steel

MAX[®] 200



Production Pierce 1" Mild Steel
Liquid Cooled Torch



Hypertherm[®] XPR 170 & 300

Redefining what plasma
can do.

Optional Gas Console Boxes

Vented Water Injection™

- SS & AL H₂O/N₂ Process
- SS & AL F5 Gas Process
- AR Argon marking, Argon Pierce Assist



Standard Core™ console

- Mild Steel O₂/Air
- SS & AL Allows N₂/N₂ process



OptiMix™ console

- Multi Gas Process
- Includes all core and VWI processes.



OXY-FUEL SYSTEMS & OPTIONS



Oxy-Fuel Torch Stations

Model "G" motorized torch lifter, 6-inch (150mm) stroke at 40 IPM. Fuel, preheat and cutting oxygen hoses. Individual gas control solenoids. Koike 500L oxy-fuel torch.



Koike D7 Cutting Tips

Safer Operation

Koike's 100 Series tips are designed to reduce backfires to keep the operator and torch safe

High Quality

Each tip is thoroughly tested to ensure consistent high-quality cutting in every tip

Faster Cutting

Our high-speed divergent tip increases cutting speed by 20-28% over standard tips

Gas Savings

Gas consumption is reduced up to 26%

Durable

A stainless steel cutting oxygen liner results in the tip lasting up to five times longer over standard tips

STANDARD TABLES OFFERED



Downdraft Table with Slag Pans stored underneath

- Easy roll-out connecting slag pans make cleaning the table easier and faster than other conventional methods.
- Pan removal from the front of the machine help reduce the machines overall footprint, ultimately saving shop space.
- Table has individual removable slats.



Water Table Manual Fill

The Koike Water Table is an economic solution to reducing smoke, sparks and dust into the environment.

- Constructed out of mild steel, the table offers a heavy-duty design with re-enforced side walls for extra durability.
- This table is designed for 2 inch thick plate
- Easy lift lugs allow you to lift the whole slat and pan assembly or just each individual component of this assembly. As an example, it allows for lifting of the slat holder and slats to allow for easy access to the slag pan underneath.
- 1/8 inch thick slats are 3-inches apart on center.

TABLE OPTIONS



Fume Extraction Unit

Compact Design
Minimize floor space

Powerful Performance
Proprietary ExtraLife™ Filter Cleaning System provides 30% more cleaning energy.

Cost Savings
Fewer filter change outs, reduced filter disposal costs, less energy usage.

Optional Items
Winter weather
Remote start



Automatic Calcium Carbonate Dispenser (CaCo₃)

Reduces the possibility of hypothetical explosion in the dust collector or air duct while cutting aluminum plate, by injecting CaCo₃ as inertizing.

- 12 Gal. Calcium Carbonate container
- Pneumatic actuated ball valve for the CaCo₃ delivery system
- Automatic system CaCo₃ quantity regulation injected in the air duct
- Automatic CaCo₃ weighting system
- Control Panel complete with CaCo₃ gravimetric dosage controller
- Protection cover for humidity and dust installed in the CaCo₃ container
- CaCo₃ minimum level indicator



Water Table Pneumatic Raise/Lower

- Constructed out of mild steel, the table offers a heavy-duty design with re-enforced side walls for extra durability.
- This table has a steel tank air bladder that allows for raising and lowering the water level.
- This table is designed for 2 inch thick plate
- Easy lift lugs allow you to lift the whole slat and pan assembly or just each individual component of this assembly. As an example, it allows for lifting of the slat holder and slats to allow for easy access to the slag pan underneath.
- 1/8 inch thick slats are 3-inches apart on center.
- Manual open/close air valve to control water height.

Effective Cutting Width and Length: 5ftx10ft 5ftx12ft 6ftx10ft 6ftx12ft

Material Type (circle all that apply): Mild Steel Stainless Steel Aluminum

Material Thickness Range (up to 2 inch): Plasma Thickness Oxy-Fuel Thickness

CNC Controller/Height Control Package

Hypertherm® EDGE Connect/Sensor THC
(Compatible with conventional & hi-definition plasma)

Flashcut Titanium / Sensor THC
(Compatible with conventional plasma types only)

Oxy-Fuel

Fuel-Gas Type:

Offline Software

Hypertherm® ProNest

Flashcut Titanium

Plasma Type

Conventional Hi-Definition

Voltage:

Plasma System

Hypertherm®

Cutting Tables

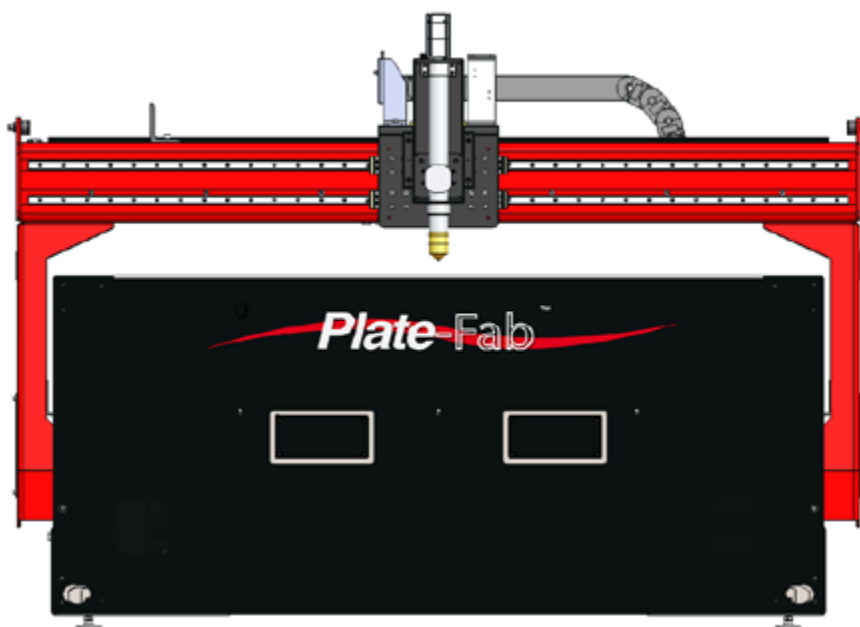
Water table insert and manual fill

Water Table with Pneumatic Raise/Lower

Downdraft Table Single Zone

Fume Collector

SPECIFICATIONS



MODELS	PLATE-FAB 510	PLATE-FAB 512	PLATE-FAB 610	PLATE-FAB 612
Effective Cutting Width	60 in	60 in	72 in	72 in
Effective Cutting Length	120 in	144 in	120 in	144 in
Machine Width	85 1/8 in	85 1/8 in	97 1/8 in	97 1/8 in
Machine Length	156 in	180 in	156 in	180 in
Maximum Plate Capacity	2 in	2 in	2 in	2 in
Rapid Traverse Speed	4-1000 IPM	4-1000 IPM	4-1000 IPM	4-1000 IPM
Contour Speed (Max.)	400 IPM	400 IPM	400 IPM	400 IPM
Machine CNC	Hypertherm® EDGE Connect or Flashcut Titanium			
Drive System	See Control	See Control	See Control	See Control
Maximum Plasma or Marker Stations	1	1	1	1
Maximum Oxy-Fuel Stations	1	1	1	1
Machine Voltage	See Control	See Control	See Control	See Control

Specification are subject to change without notice.

Turning Rolls



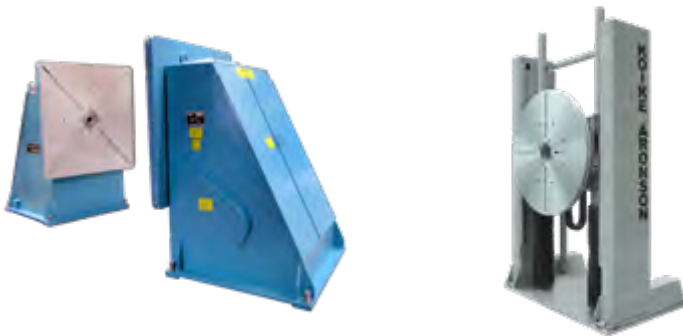
Applications



Tilt/Turn Welding Positioners



Headstocks/Tailstocks



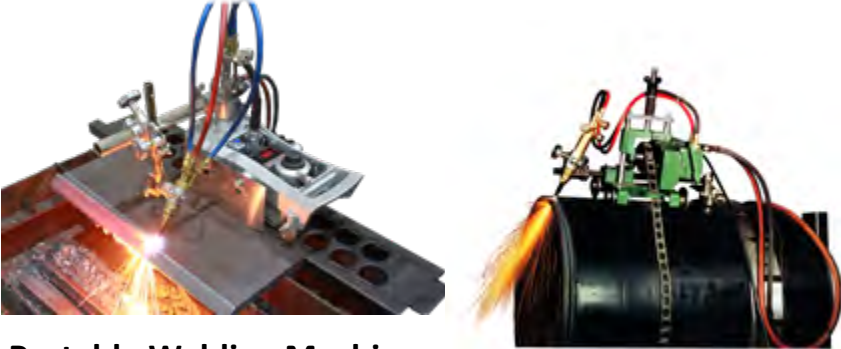
Manipulator, Universal Balance, Retrofit/Rebuilds





PORTABLE & GAS APPARATUS

Portable Cutting Machines



Applications



Portable Welding Machines



Hand Torches



Cutting & Welding - Gas Safety





www.koike.com

Headquarters

635 W. Main Street
PO BOX 307
Arcade, NY 14009
Phone (585) 492-2400
Toll-free (800) 252-5232
Fax (585) 457-3517

Koike Aronson Brasil

Estrada dos Romeiros, 6116-Galpão 97
Santana de Parnaíba- SP Brasil
CEP: 06513-001
Tel +55 [11] 4780-7341

PLATE-FAB 02/20 KENG