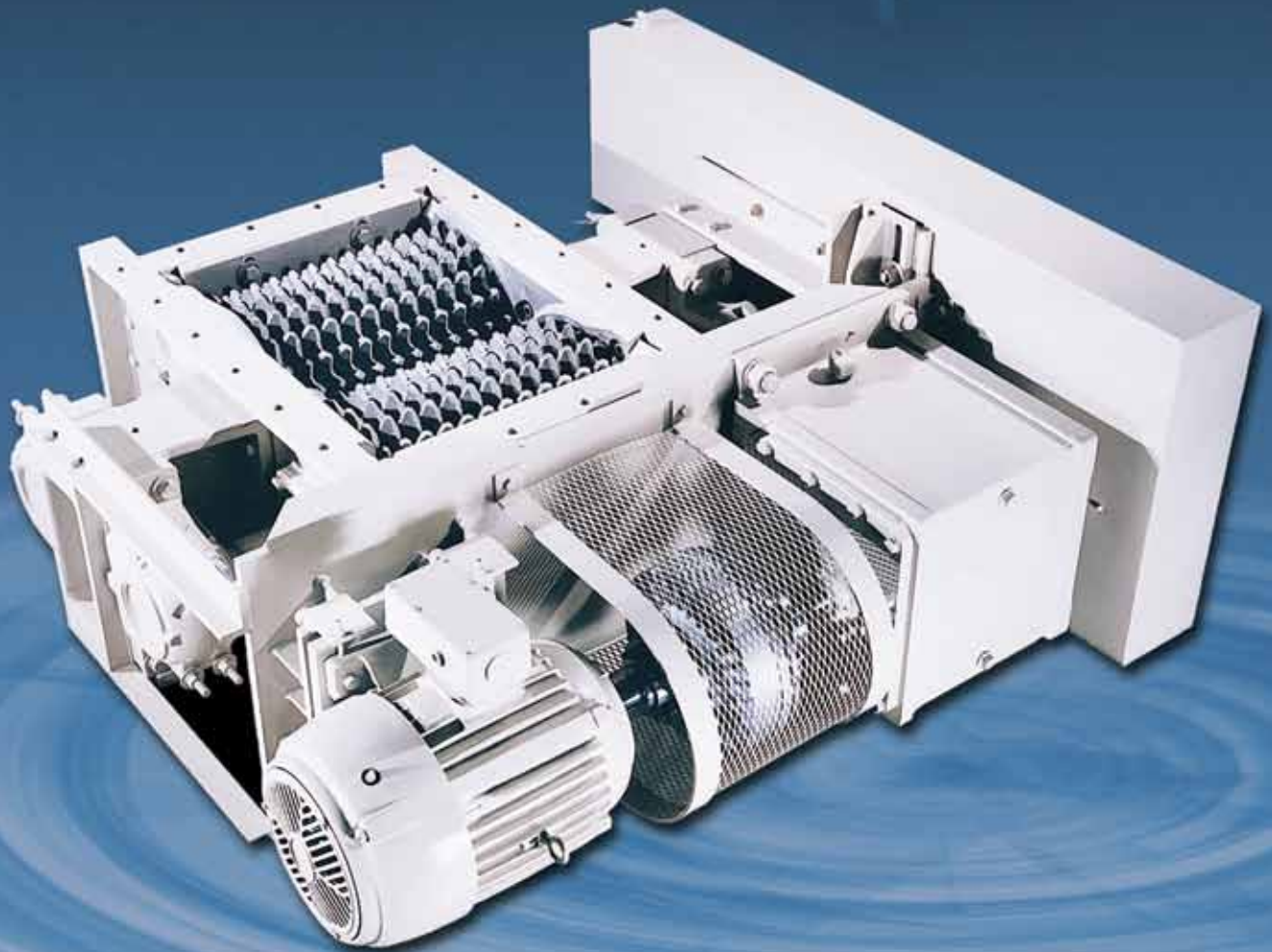


# LANCASTER PRODUCTS

World Leaders in Material Processing Equipment



## Lancaster® Model 24x32 Crusher

**LANCASTER  
PRODUCTS**

Manufactured by Kercher Industries, Inc.

1.800.447.7351

outside of U.S. phone: 717.273.2111 fax: 717.273.2967

email: [info@lancasterproducts.com](mailto:info@lancasterproducts.com) [www.lancasterproducts.com](http://www.lancasterproducts.com)

The Lancaster Products Line of Material Processing Equipment

High Shear K-Series Mixers

Low Shear L-Series Mixers

K-Lab Mixers

Pug Mills

Roll Crushers

Table Feeders

Automated Material Handling and Batching Systems

AutoBrik Molded Brick Making Machines

# Lancaster® Model 24 x 32 Double Roll Crusher

This single pass material crusher is designed to reduce materials of a given product size to a minimum size of up to 95 percent minus 3/4 inch and 100 percent minus 1 inch, at rates up to 30 tons per hour. Provisions are made to permit particle size variation from 3/4 inch to 2 inch. Properly installed and operated, this crusher can reduce, in a single pass, material previously requiring primary and secondary crushing.

The Lancaster Model 24 x 32 Crusher is made for long life with a minimum of maintenance. Rolls turn toward each other, confining all crushing to the area where the teeth meet. Both rolls are timed to rotate at the same speed to maintain a true crushing action with minimum fines. Crusher teeth are cast of a hard and tough alloy in replaceable segments. Bearings are outboard, self-aligning, and protected by mechanical seals.

The Lancaster Model 24 x 32 Crusher is a compact unit built around a rigid cast frame, housing double rollers. It is powered by a 20 hp electric gear-motor controlled through a VFD. Shafts are driven by a heavy duty chain, operating in an oil bath, in a completely enclosed casing. Hardened comb plates at the ends and cheek plates along the sides of housing prevent material from by-passing the rolls.

Top and bottom openings of the crusher have drilled mounting flanges. The crushing gap is adjustable by shimming the pillow blocks. Relative positions of shafts are rigidly fixed; therefore, trapped material will not separate the rolls. This prevents oversize material from passing through the crusher.

Note: In most cases this crusher cannot be operated as a feeder. Material must be fed to the crusher at a controlled rate.

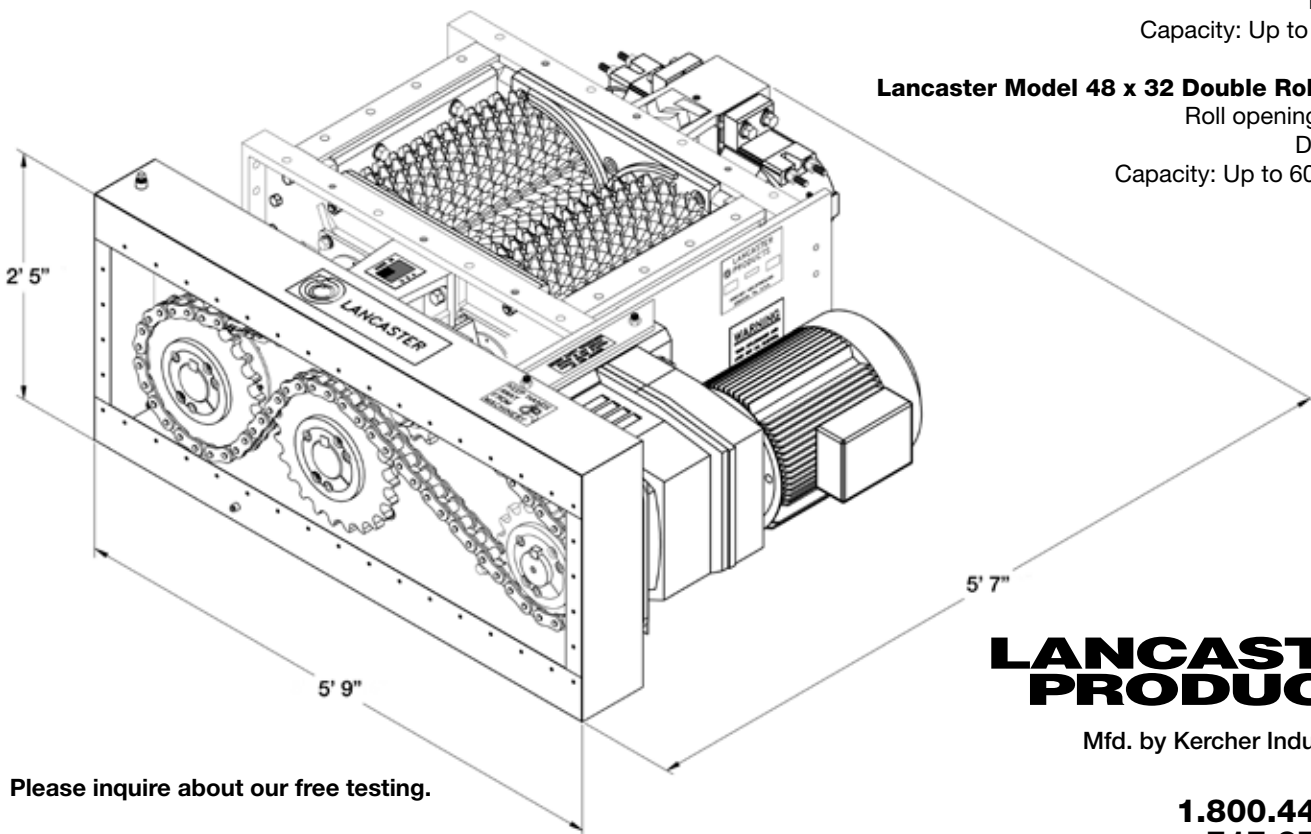
Shaft outlets in the frame are equipped with mechanical seal assemblies. Sealed, adaptor-type, spherical roller bearings are supported by bearing-support castings remotely located from crushing area.

This Lancaster Model 24 x 32 Crusher is used extensively throughout the world in the glass manufacturing industry where high quality and reliable service are required.

Note: Roll opening: 24" x 32".  
Guards are not shown in crusher area for clarity.  
Weight is approximately 6,000 lbs.

Also available:  
**Lancaster Model 12 x 18 Double Roll Crusher**  
Roll opening: 12" x 18"  
Drive: 5 hp  
Capacity: Up to 3 ton/hour

**Lancaster Model 48 x 32 Double Roll Crusher**  
Roll opening: 48" x 32"  
Drive: 30 hp  
Capacity: Up to 60 tons/hour



**LANCASTER®  
PRODUCTS**

Mfd. by Kercher Industries, Inc.

Please inquire about our free testing.

Visit our website at: [www.lancasterproducts.com](http://www.lancasterproducts.com)

All information is subject to change without notice.  
Parts and assembly made in the U.S.A.

Pub. 100/10

**1.800.447.7351**  
outside U.S. **717.273.2111**  
Fax: 717.273.2967  
email: [info@lancasterproducts.com](mailto:info@lancasterproducts.com)  
[www.lancasterproducts.com](http://www.lancasterproducts.com)