

KALEJA GmbH  
D-73553 Alfdorf

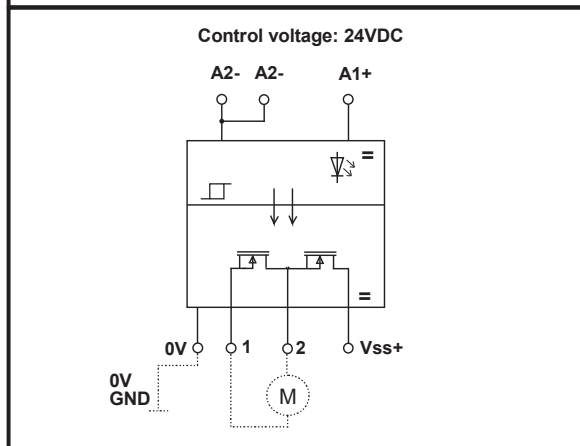
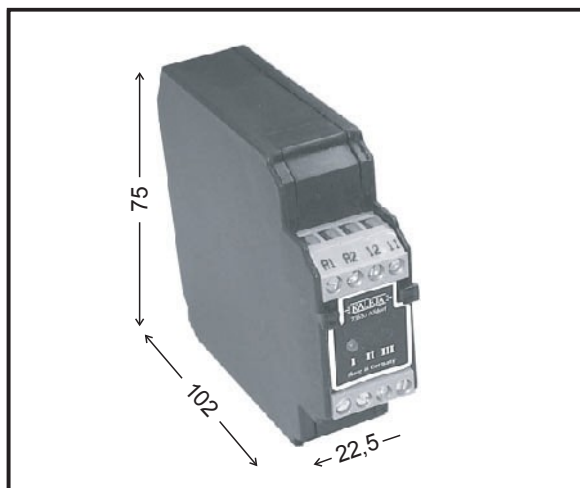
**Motor-speed control for  
brush sticking  
direct current motor  
Threshold voltage 24VDC**

**Implementation for switching current  
up to 8A. With dynamical braking.**

**Direct-coupled between input circuit  
and output circuit.**

**To snap onto DIN - rail EN 50022  
and EN 50035**

**Construction width: 22,5mm**



|  |   |
|--|---|
| <b>Short designation / type</b>                                    | <b>Rated voltage: 24VDC<br/>Maxi-M-8-30</b>                 |
| <b>Art. - No.</b>  | <b>06.04.001</b>  |
| <b>Technical data: input circuit</b>                               |   |
| Rated voltage / threshold voltage                                  | 24 VDC  |
| Range of rated voltage min. / max.                                 | 15V to 35VDC  |
| Input current during rated voltage                                 | 10mA  |
| Input circuit  | Rectifier   |
| Status indicator   | LED 3mm yellow  |
| <b>Technical data: output circuit</b>                              |   |
| <b>MOS-FET</b>   |   |
| Range of switching voltage / motor voltage                         | 12VDC to 35VDC  |
| Max. permanent load current  | 8A  |
| Min. load current  | 1 mA  |
| Impulse current  | 30 A  |
| Switching frequency  | 50 Hz by 8A   |
| Output circuit   | mass binded   |
| Max. leakage current at "off" state                                | 1 µA  |
| <b>Other data</b>  |   |
| Ambient temperature range  | -20°C to + 50°C   |
| Insulation voltage input / output                                  | 2,5KV eff.  |
| Absence of vibration a/r (10...500Hz)                              | > 20 / 5  |
| Overload protection / short-circuit-proof / temperature monitoring | yes / yes / yes   |
| DIN VDE-determinations   | VDE 0110, 0160 in parts                                     |
| Position of installation / mounting                                | can be snapped, addable                                     |
| Mode of connection: screw terminal                                 | single wire 4mm <sup>2</sup> , fine wire 2,5mm <sup>2</sup> |
| Dimensions: W x D x H  | 22,5mm x 75mm x 102mm                                       |