

KALEJA GmbH
D-73553 Alfdorf

Electronic load relay DC Threshold voltage: 24VDC

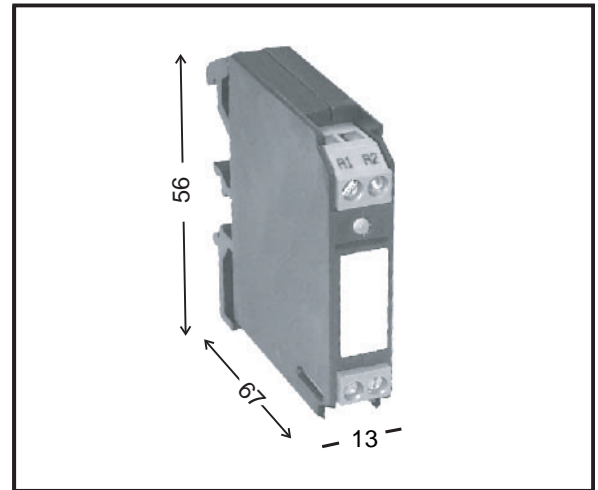
Suitable for inductive loads

Implementation for small switching current and large switching frequency

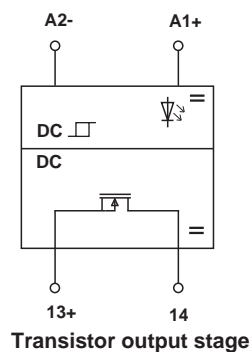
Indirect-coupled between input circuit and output circuit.

To snap onto DIN - rail EN 50022 and EN 50035

Construction width: 13mm



Control voltage: 24VDC



Short designation / type	Rated voltage: 24VDC Mini-OM-08-30
Art. - No.	02.01.104
Technical data: input circuit	
Rated voltage / threshold voltage	24 VDC
Range of rated voltage min. / max.	11V - 35VDC
Input current during rated voltage	15mA
Status indicator	LED 3mm yellow
Technical data: output circuit	
Range of switching voltage	3VDC to 35VDC
Max. permanent load current	0,8A
Min. load current	1 mA
Impulse current	4A t = 1sec.
Switching frequency	1 KHz
Output circuit	floating, 2 conductor connection
Max. leakage current at "off" state	< 500 µA
Other data	
Ambient temperature range	-20°C to + 60°C
Insulation voltage input / output	2,5KV eff.
Absence of vibration a/r (10...500Hz)	> 20 / 5
Overload protection / short-circuit-proof / temperature monitoring	no / no / no
DIN VDE-determinations	VDE 0110
Position of installation / mounting	can be snapped, addable
Mode of connection: screw terminal	single wire 4mm ² , fine wire 2,5mm ²
Dimensions: W x D x H	13mm x 56mm x 67mm