

KALEJA GmbH  
D-73553 Alfdorf

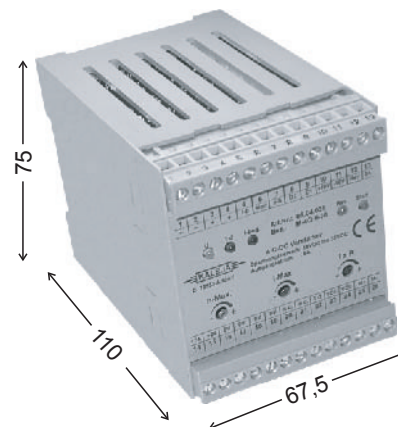
## Motor-speed control for brush sticking direct current motor 48VDC

Implementation for switching current  
up to 6A

With speed control, current control,  
I x R compensation, change of rotation

To snap onto DIN - rail EN 50022  
and EN 50035.

Construction width: 67,5mm



<b>Short designation / type</b>	<b>Rated voltage: 48VDC</b> M-4Q-6-48
<b>Art. - No.</b>	<b>06.04.032</b>
<b>Technical data: input circuit</b>	
Rated voltage / threshold voltage	24 VDC
Range of rated voltage min. / max.	19V to 35VDC
Input current during rated voltage	10mA
Analogue input - range of voltage	0V to 10VDC
Status indicator	LED 3mm yellow
<b>Technical data: output circuit</b>	
<b>MOS-FET</b>	
Range of switching voltage / motor voltage	42V to 52VDC
Max. permanent load current	6A
Current limitation min. / max.	1A to 6A
Speed range	0 - max.
Recommended motor choke	200µH / 6A
Power driver	MOS-FET
<b>Other data</b>	
Ambient temperature range	-20°C to + 50°C
Absence of vibration a/r (10...500Hz)	> 20 / 5
Overload protection / short-circuit-proof / mtemperature monitoring	yes / yes / yes
DIN VDE-determinations	VDE 0110, 0160 in parts
Position of installation / mounting	can be snapped, addable
Mode of connection: screw terminal / pluggable	single wire 4mm <sup>2</sup> , fine wire 2,5mm <sup>2</sup>
Dimensions: W x D x H	67,5mm x 75mm x 110mm

# Description

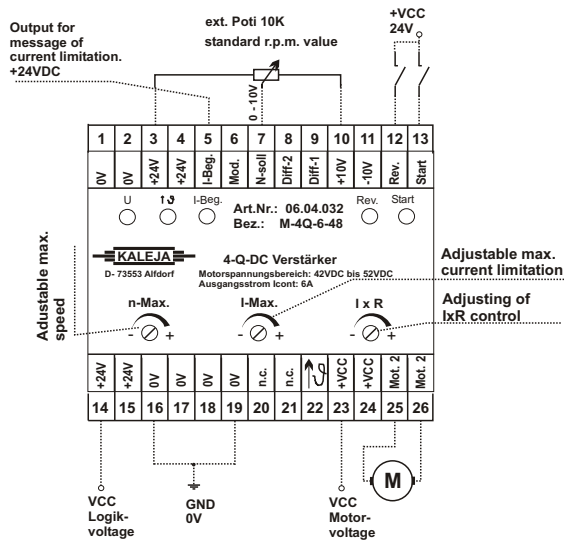
The M-4Q-6-48 module is a motor control system for 48VDC motors with clockwise / anticlockwise. It ensures switching ON / OFF and the controlled driving and braking of motors at both direction of rotation. The load is short - circuit in OFF conditions which result in dynamical braking.

## Special features:

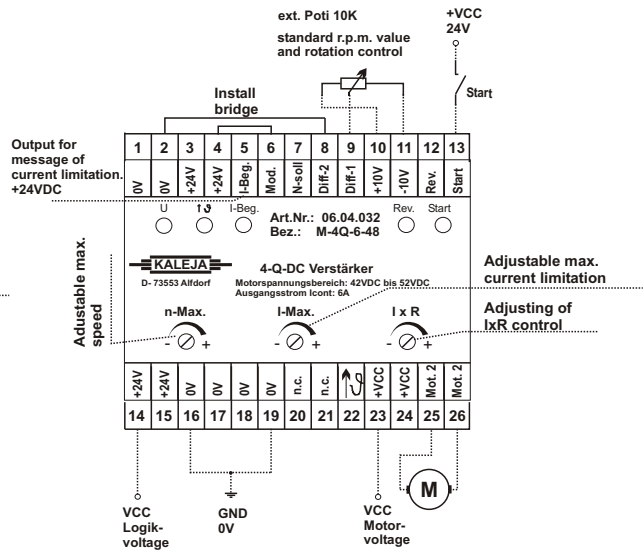
Short circuit protection, temperature protection, overload protected, at Modus-Input can be choose, whether the Input 0V to 10VDC motor speed and Rev.- Input or the Differential Input +/- 10VDC are active, adjustable max. speed, IxR compensation, direct change of rotation.

## Electrical connection and controls

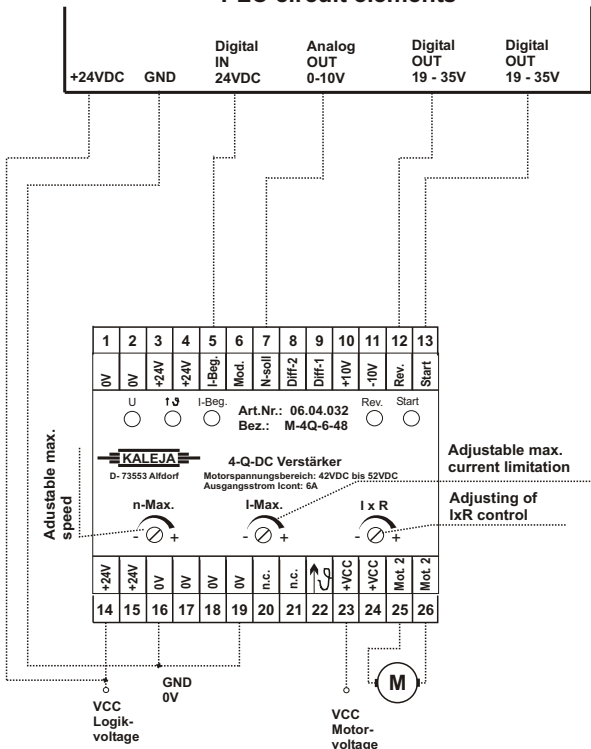
Standard - circuit elements



Differential input circuit elements



PLC circuit elements



PLC circuit elements with differential output

