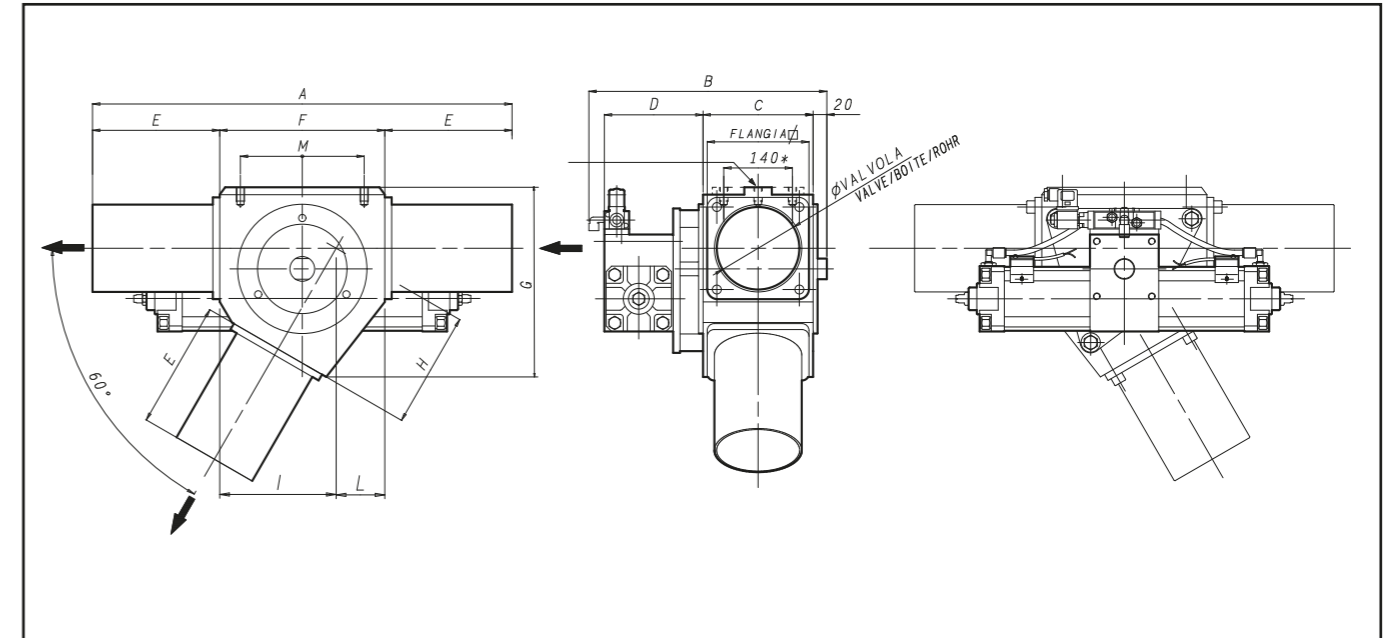


ROTODIV

Diverter Valve for the transported product flow

Composed of cast iron body complete with a rotating cast iron valve driven by means of a pneumatic piston with solenoid valve and limit switches.



Pneumatic control cylinder pressure: 6 bar
Voltage: according to order

Model	A	B	C	D	E	F	G	H	I	L	M	Flange	Weight Kg
Rotodiv Ø65	515	260	101	120	185	145	171	104	100	44	105-M8	85x85	22
Rotodiv Ø95	560	292	130	144	185	190	222	134	134	56	140-M10	120x120	40
Rotodiv Ø120	610	347	160	144	185	240	280	169	169	71	180-M12	148x148	58
Rotodiv Ø150	730	395	190	158	210	310	348	219	217	93	230-M16	180x180	96
Rotodiv Ø200	900	452	240	158	250	400	466	294	286,5	113,5	280-M16	240x240	180

Units = mm