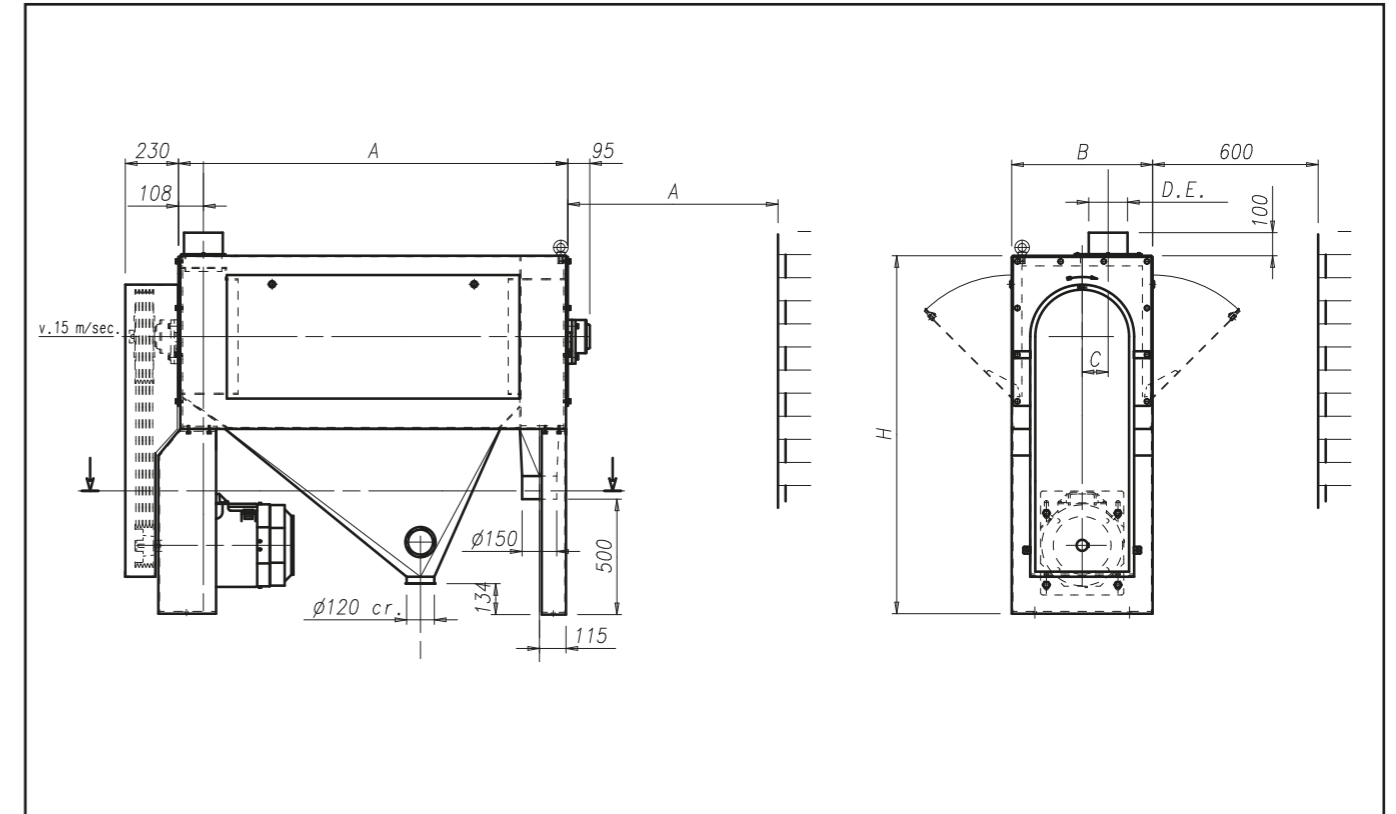


PO

Horizontal Scourer

Performs a cleaning of the grain kernel surface. Strong motor dynamically balanced with special steel beaters and paddles. Sieve from high resistant steel mesh



Type	*Capacity t/h	Motor Kw	Aspiration m ³ /min	A	B	C	D	D.E	F	G	H	Weight Kg	Volume m ³
PO 35/135	8 10	7,5 9,2	5	1375	500	95	628	120	390	1305	1350	480	1,1
PO 50/165	15 20 25	11 15 22	8	1670	610	155	515	150	500	1588	1550	850	1,8

* Soft wheat 0,75t/m³
Units = mm