

SOLARA SM 80

THERMOFORMING PRESS

up to 80 paper items /min



« SOLARA SM80, high speed disposable paper items forming machine »

- Thermoforming press SOLARA SM80 is designed for the production of disposable paperboard items such as plates, trays, containers, bowls.
- Thermoforming press SOLARA SM80 works from pre-cut paper blanks loaded manually into two loaders. Two forming heads allow high flexibility production (2 sizes in parallel).
- SOLARA SM80 integrates function of forming, stacking, counting and piling up.
- The design of the thermoforming press SOLARA SM80 makes easy its use and its maintenance.
- The strong forming force exerted by the press, combined with long time pressure, guarantees high quality thermoforming



TECHNICAL SPECIFICATIONS

Speed	up to 40 strokes / min, depending on paper quality and item depth i.e. 80 pieces / min for 2 working heads
Maximum item depth	65 mm
Weight	4 tons
Power consumption	electricity : 15 kWh / compressed air : 5 m ³ h at 6 bars



Rue Roger Thirode - 39800 POLIGNY - France
Tél. : +33 (0)3 84 37 24 12 - Fax : +33 (0)3 84 37 05 57 - gma@gma-france.com

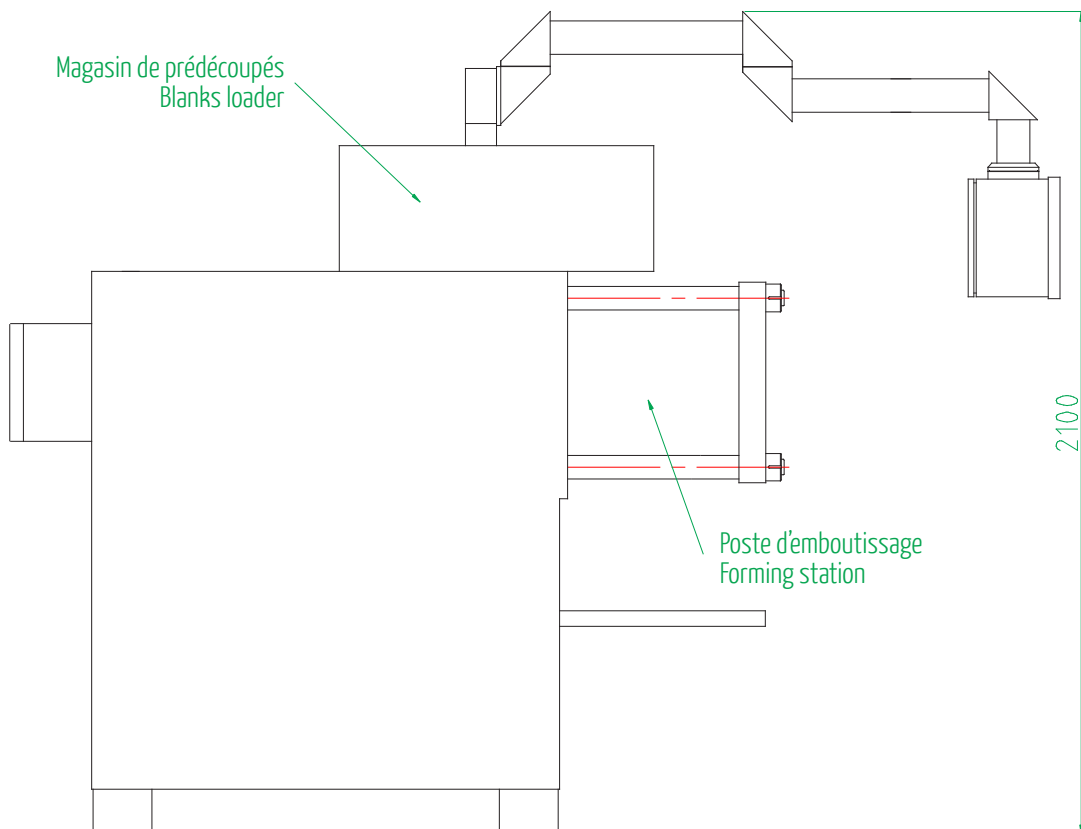
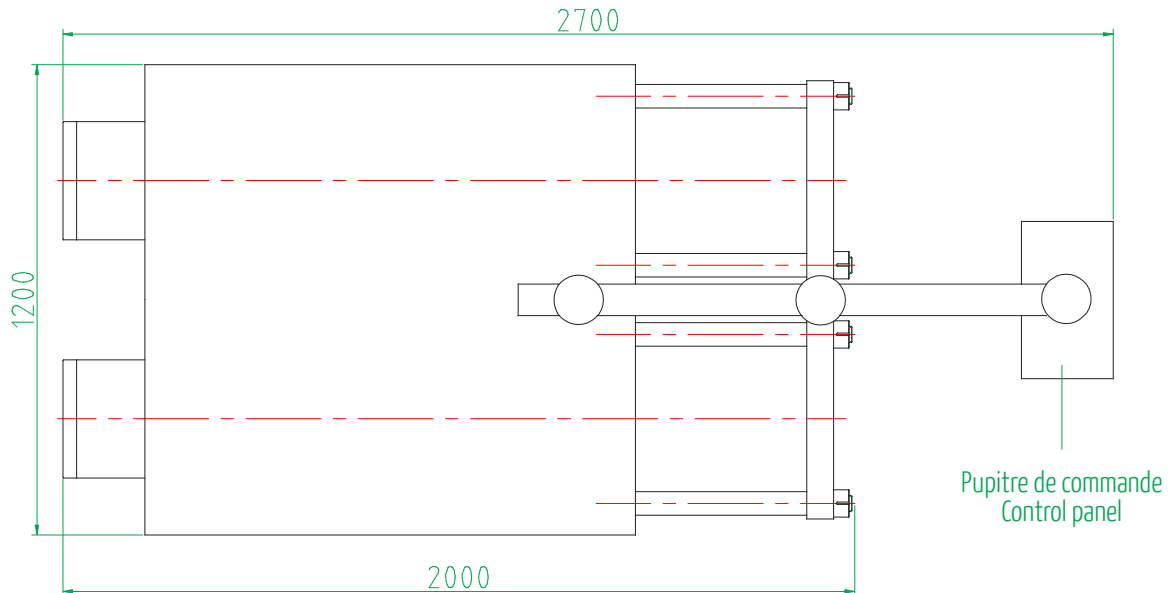
www.gma-france.com



SOLARA SM 80

THERMOFORMING PRESS

up to 80 paper items /min



Indicative and non contractual layout.