

Technical Specification Sheet

Mini Gantry Crane & Screw Clamp [MSL45]
[500kg]



This practical 2 metre wide compact gantry crane with 500kg safe working load is a convenient way of moving dense stone, monuments, headstones and memorials with ease.

The adjustable screw clamp has a 60-170mm jaw with rubber lined clamp face to prevent scratches on polished stone surfaces.

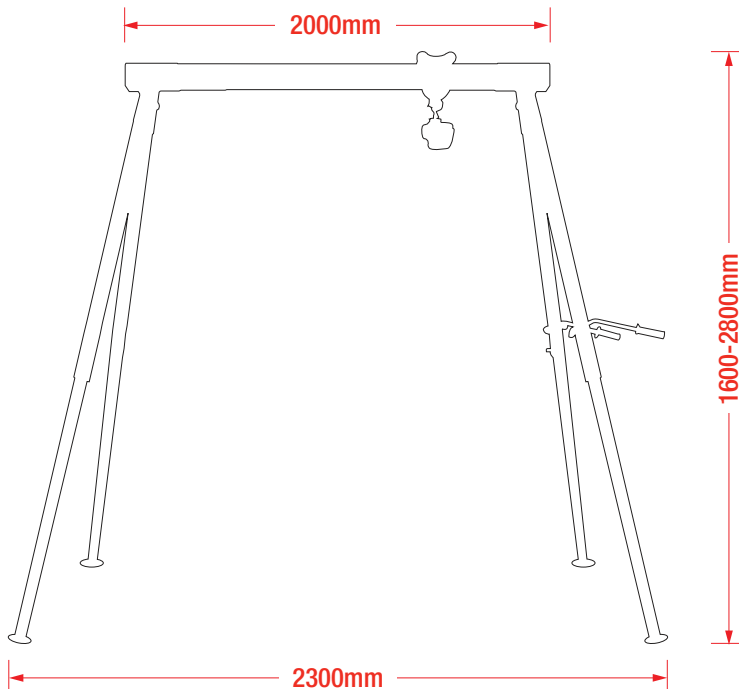
This portable gantry crane features height adjustable legs for loading/unloading from vehicles as well as lifting on uneven, softer ground. Rubber plates are provided as standard.

Made from lightweight aluminium and quick to assemble/disassemble, the mini gantry crane is effortless to transport and set up for one person.

Features

- 500kg lifting capacity
- Individual legs are height adjustable 1.4m – 2.5m
- Beam length 2 m
- Lifting height 2.8m
- Total weight of gantry, chain & clamp -76kg
- Clamping range 60-170mm
- Height: min/max 1600mm / 2800mm

Dimensions



HIRE OR PURCHASE TODAY - CALL OUR SPECIALIST TEAM ON:

North: +44 (0)161 683 2580 - South: +44 (0)1844 202 071 - Scotland: +44 (0)1698 824444

www.ggrgroup.com