

The Highest Capacity M

Mini Crawler Crane MCC1005 [10.0t]

Introducing the MCC1005 as a mini crawler crane with a 10 tonne maximum capacity. The MCC1005 has a maximum lifting height of 21.5m, which increases to 25m when the optional 3.8m fly jib is used.

The tracked MCC1005 allows for easy movement across rough terrain and has a pick and carry capacity of up to 3500kg.

This 10 tonne mini crawler crane offers a high capacity lifting capability with the benefit of being able to move across a variety of surfaces – a truly versatile lifting machine.

Reference Code

MCC1005



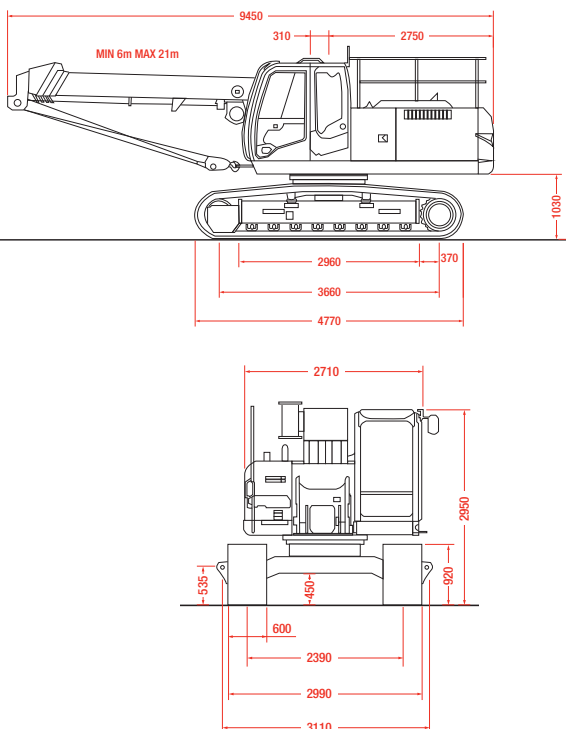
Technical Specifications

Maximum capacity	Capacity:	10.0t x 2.0m
Maximum working radius	Maximum radius:	21m
Maximum lifting height	Maximum height:	21.5m (25m with fly jib)
Hook speed	Hook speed:	97-66m/min
Hoist rope	Hoist rope:	ø 14mm / 105m
Telescopic system	Boom length: Telescopic speed: Boom type:	6m to 21m (+ optional 3.8m fly jib) 14.4 m/ 33s Five section hydraulically telescoping boom
Hoist angle	Hoist angle/speed:	-3° - 76° (15 secs)
Slew speed	speed:	13.3min-1 (RPM)
Drive	Drive:	Hydraulic
Traction speed	Travel speed: Gradeability: Track length x width: Ground pressure:	3.5km/h max ±25° 4480x600mm 0.5kg/cm ²
Engine	Type: Maximum output: Fuel/fuel tank capacity:	ISUZU A1-4HK1X 122(164) at 2000rpm 400 litres
Dimensions	Dimensions (l x w x h): Weight:	9500mm x 3210mm x 3000mm 21750kg

Total Rated Load Chart

Boom length	6.0M BOOM		9.80M BOOM		13.60M BOOM		17.30M BOOM		21.00M BOOM		21M BOOM + 3.8M FLY JIB	
	STATIC	MOBILE	STATIC	MOBILE	STATIC	MOBILE	STATIC	MOBILE	STATIC	MOBILE	STATIC	MOBILE
2.0	10000	3500										
3.0	6500	3500	5940	2970	2800	1400	2320	not allowed	1880	not allowed		
4.0	5200	2600	4600	2300	2800	1400	2320	not allowed	1880	not allowed	1050	not allowed
5.0	4400	2200	3800	1900	2660	1330	2320	not allowed	1880	not allowed	1050	not allowed
6.0	4230 (5.4)	2115	3240	1620	2340	1170	2150	not allowed	1880	not allowed	1050	not allowed
7.0			2690	1345	2180	1090	1960	not allowed	1780	not allowed	1050	not allowed
8.0			2440	1220	2100	1050	1810	not allowed	1610	not allowed	910	not allowed
9.0			2060	1030	2000	1000	1750	not allowed	1540	not allowed	830	not allowed
10.0			1980 (9.2)	990	1840	920	1660	not allowed	1470	not allowed	760	not allowed
11.0					1620	810	1500	not allowed	1380	not allowed	720	not allowed
12.0					1430	715	1340	not allowed	1280	not allowed	660	not allowed
13.0					1280	640	1190	not allowed	1140	not allowed	610	not allowed
14.0							1140	not allowed	1090	not allowed	570	not allowed
15.0							1030	not allowed	990	not allowed	520	not allowed
16.0							920	not allowed	890	not allowed	420	not allowed
17.0							910	not allowed	810	not allowed	400	not allowed
18.0									740	not allowed	370	not allowed
19.0									710	not allowed	350	not allowed
20.0									650	not allowed		
21.0									650 (20.5)	not allowed		

Technical Data (mm)



Rated Loads

