

# Compact Lifting Muscle

## Mini Crawler Crane MCC495 [4.9t]

With an extending boom like a spider crane and the compact lifting muscle of a pick and carry crane, this mini machine provides an alternative solution to lifting challenges in restricted access areas.

The mini telescopic crawler crane's 2.35m wide base and solid tracks provide it with 4.9 tonnes of lifting power and a 2 tonnes pick and carry capacity.

The five section telescopic boom can reach a maximum working height of 16.35m and be controlled accurately with cab-mounted joysticks.

### Reference Code

MCC495



### Technical Specifications

<b>Maximum capacity</b>	Capacity:	4.9t x 2.1m
<b>Maximum working radius</b>	Maximum radius:	14.52m
<b>Maximum lifting height</b>	Maximum height:	16.35m
<b>Hook speed</b>	Hook speed:	Two speed 27/39m/min (4 falls, 4th layer)
<b>Hoist rope</b>	Hoist rope:	IWRC 6 x Fi (29) 10mm x 115mm
<b>Telescopic system</b>	Boom length: Telescopic speed: Boom type:	4.63m - 15.63m 11m/24.5 sec Fully automatic 5 section pentagonal hydraulically telescoping boom
<b>Telescopic system</b>	Hoist angle/speed:	-2° to 80° (12.5 sec)
<b>Telescopic system</b>	Slew angle/speed:	360° continuous/2.4rpm
<b>Drive</b>	Drive:	Both sides independent steering control, hydraulic piston motor with in-built automatic brake, planet reduction gears, sprocket crawler
<b>Traction system</b>	Travel speed: Gradeability: Track length x width: Ground pressure:	0 - 2.5km/h (low), 0 - 3.8km/h (high) ±20° 1,870mm x 450mm 0.48kg/cm²
<b>Engine</b>	Type: Maximum output: Fuel/fuel tank capacity:	Komatsu S4D95LE 3-A, 4 cylinder diesel, water cooled, direct injection 40.5kW (55PS)/1850rpm Diesel/14L
<b>Dimensions</b>	Dimensions (l x w x h) Weight:	5005mm x 2350mm x 2685mm 9700kg
<b>Standard equipment</b>	Standard:	Safe load indicator, steel tracks, 4 fall hook block, working light, hour meter and inclination alarm, air conditioned cab
<b>Optional equipment</b>	Optional:	Single fall hook, 2 fall hook block, bolt-on rubber pads

With No Limits



Mini Crawler Crane MCC495

**Total Rated Load Chart**

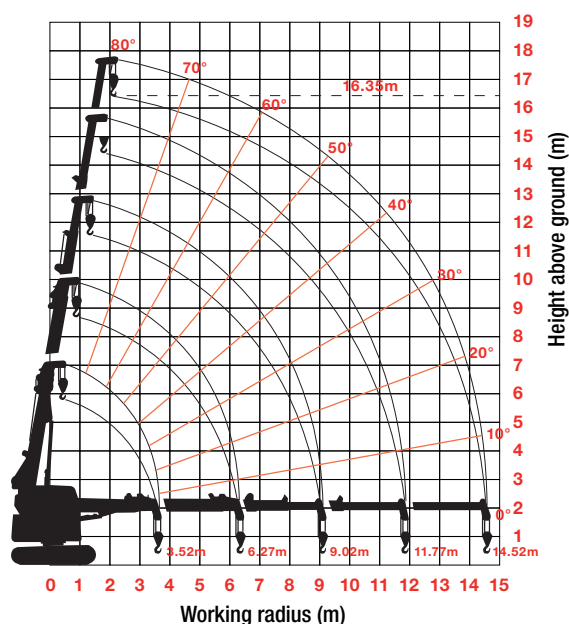
Boom length	4.63m boom	7.38m boom	10.13m boom	12.88m boom	15.63m boom
Working radius (m)	Total rated load (kg)				
2.0	4900	4900	2600	2000	1400
2.5	3800	3760	2600	2000	1400
3.0	2900	2980	2310	2000	1400
3.5	2290	2420	2010	1890	1400
4.0		2000	1750	1650	1400
4.5		1670	1530	1450	1320
5.0		1400	1340	1280	1200
6.0		1000	1030	1010	990
7.0			780	800	820
8.0			580	630	680
9.0			410	500	560
10.0				390	450
11.0				300	360
12.0					280
13.0					210
14.0					200
14.52					200

**Pick & Carry Duties**

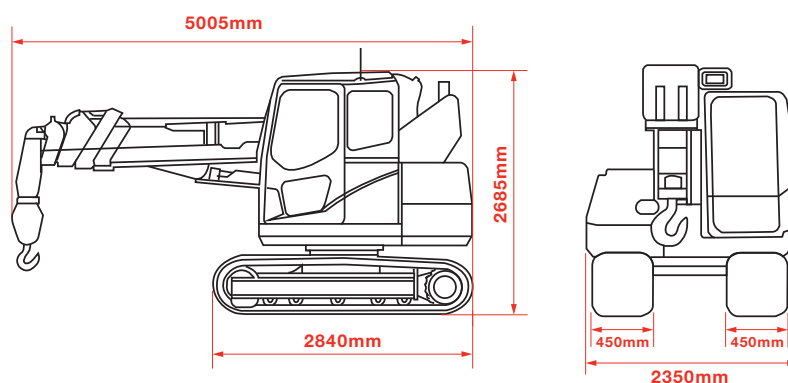
4.63m boom	7.38m boom	10.13m boom
Total rated load (kg)		
2000	2000	1400
2000	2000	1400
1670	1700	1360
1330	1380	1170
	1140	1020
	960	890
	810	770
	690	680
	590	590
	540	550
		510
		440
		380
		320
		270
		230
		230



**Rated Loads**



**Technical Data (mm)**



The maximum reach below ground level is:  
 Four Fall: 25.10m - Two Fall: 51.30m - Single Fall: 104.50m  
 (4900kg) (2450kg) (1220kg)