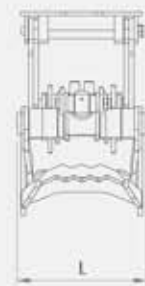
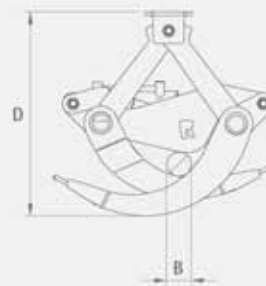
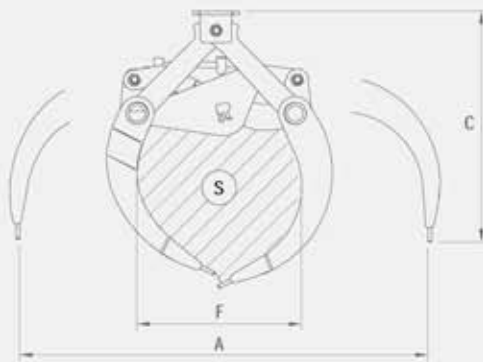


Timber grabs	Hook	Hydraulic rotator	Excavator / loader weight
R50/225 - 250	R9	R102 - R103 - R104	2.8 - 5.6
R50/350 - 375 - 500	R9	R104 - R05 - R105	5.6 - 10.1
R50/427	R7 - R9	R05 - R105 - R105H - R1G	6.8 - 13.4
R50/401	R7	R3IR - R1G	12.3 - 19
R53 LE	R7 - R7R	R3IR - R1G - R4G	14.6 - 20.2
R53	R7 - R7R	R3IR - R3BIR - R4G	17.9 - 25.8
R50/604	R7R	R3BIR - R4G	20.2 - 28
R50/803	R7R	R3BIR - R4G	25.8 - 33.6
R44/802	R7R	R3BIR - R3C - R4G	26.9 - 35.8
R44/900	R7R	R3BIR - R3C	29.1 - 39.2
R44/1000	R7R	R3BIR - R3C	30.2 - 41.4
R55.1	R7 - R7R	R3IR - R3BIR - R1G - R4G	14.6 - 22.4
R55.2	R7 - R7R	R3IR - R3BIR - R1G - R4G	15.7 - 23.5
R56	R7R	R3BIR - R3C	25.8 - 39.2

> R50



Model	Surface	Lifting capacity	Weight	Pressure	Oil flow	Sizes +/- 1/2 inch					
	ft²	ton	lbs	psi	g/m	A	B	C	D	L	F
R50/250	2.2	0.9	265	2611	8	52	2	31	27	15	21
R50/350	3.2	1.3	430	2611	13	57	3	35	30	20	26
R50/500	5.4	1.7	485	2611	13	69	10	37	37	20	35

> R50/225



R102

> R50/427



R105F

> R50/375

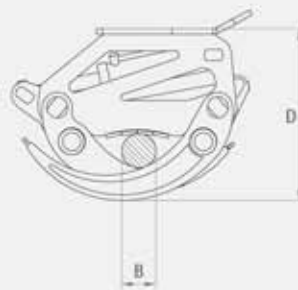
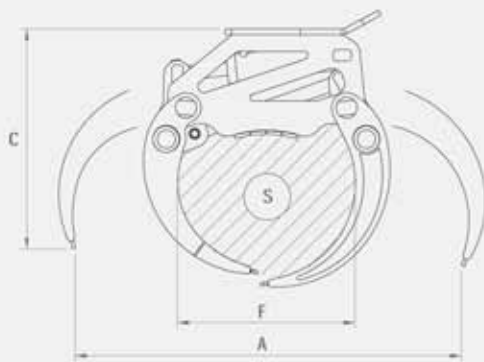


R104F

> R50/427



R105A



Model	Surface	Lifting capacity	Weight	Pressure	Oil flow	Sizes +/- 1/2 inch					
	ft²	ton	lbs	psi	g/m	A	B	C	D	L	F
R50/225	2.2	0.9	254	3191	8	46	2	25	18	15	31
R50/375	3.2	1.5	463	3626	13	55	5	34	24	15	25
R50/427	4.3	2.2	551	4351	18	75	5	31	24	21	28

> R R50/401



> R50/803



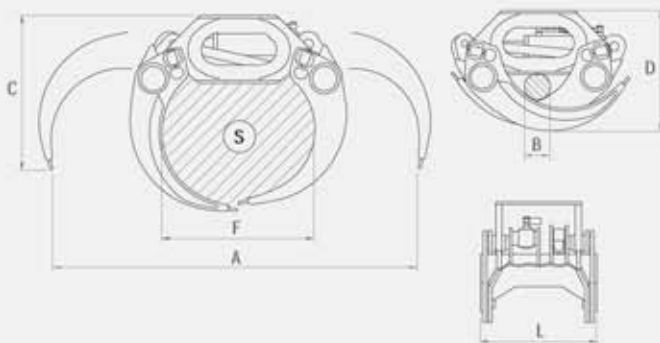
> R50/604



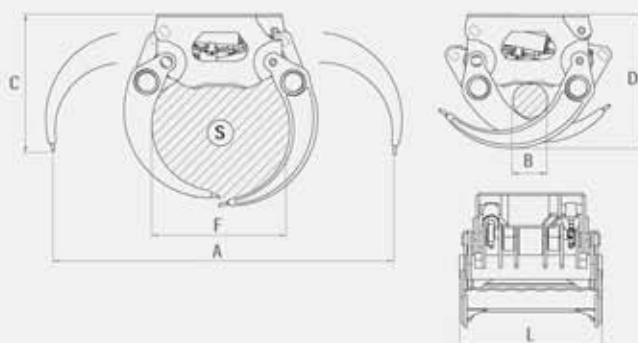
> R50/803



> R50/401



> R50/803

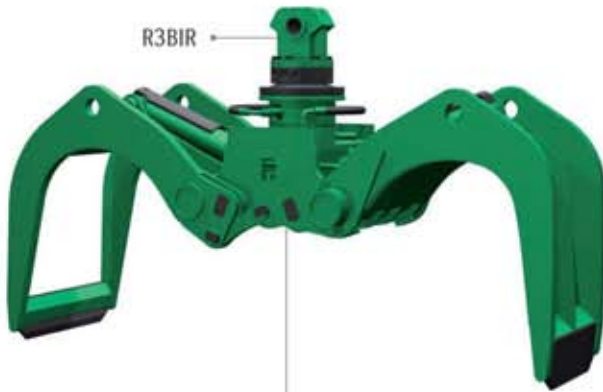


> R50/604

Model	Surface	Lifting capacity ton	Weight lbs	Pressure psi	Oil flow g/m	Sizes +/- 1/2 inch					
	ft²					A	B	C	D	L	F
R50/401	4.3	3.3	893	4060	18.5	75	6	32	26	25	31
R50/604	6.5	4.4	1764	4060	24	85	9	35	35	36	35
R50/803	8.6	6.6	2535	4351	42	103	8	41	37	43	43



> R44/802 > R44/900



> R44/1000



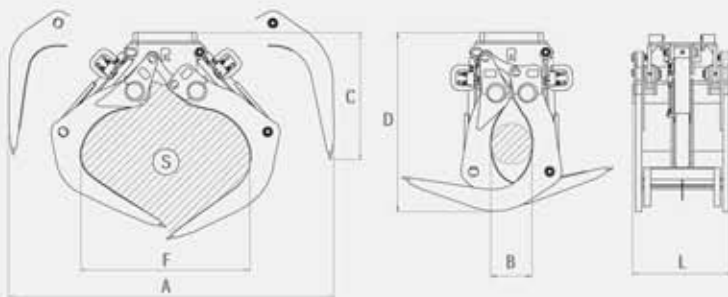
> R44/802 > R44/900



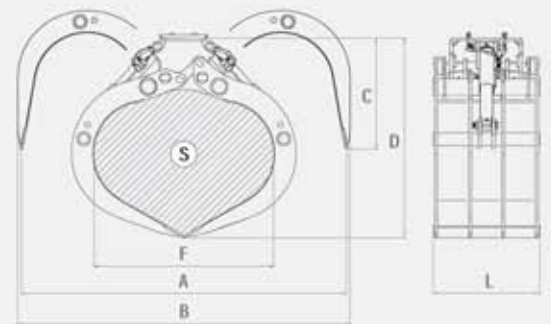
> R44/1000



> R44/802 - 900



> R44/1000



Model	Surface	Lifting capacity	Weight	Pressure	Oil flow	Sizes +/- 1/2 inch					
	ft²					ton	ton	psi	g/m	A	B
R44/802	11.8	6.6	1.5	4060	48	106	13	48	98	32	54
R44/900	15.6	6.6	1.7	4060	48	114	19	50	64	35	65
R44/1000	17.2	6.6	2.0	4351	48	120	122	41	74	39	66

> R53LE



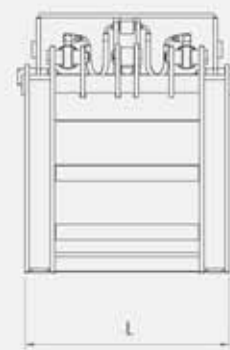
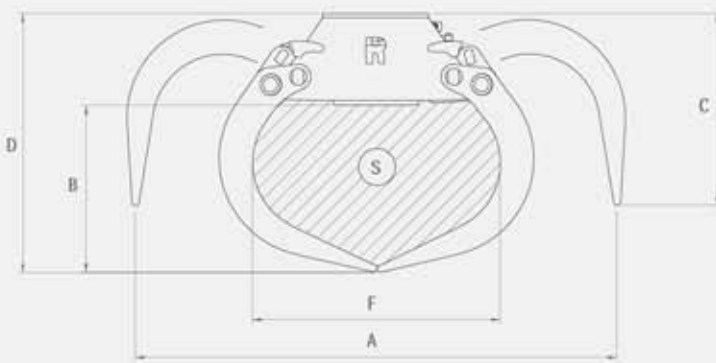
> R53



> R53LE



> R53



Model	Surface	Lifting capacity	Weight	Pressure	Oil flow	Sizes +/- 1/2 inch					
	ft²	ton	lbs	psi	g/m	A	B	C	D	L	F
R53LE	6.5	2.8	1367	4060	24	77	26	33	43	30	42
R53	7.5	3.3	1609	4060	24	85	30	35	46	37	45

> R55.1



> R55.2



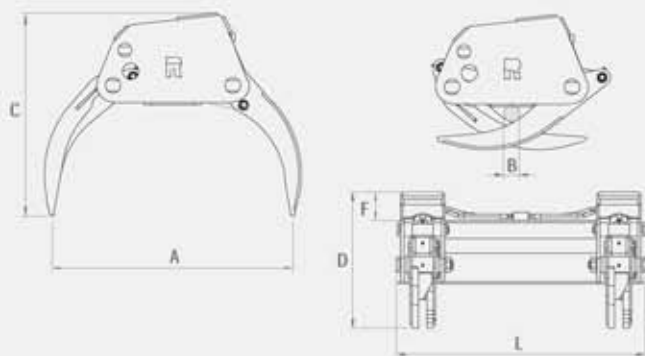
> R55.1



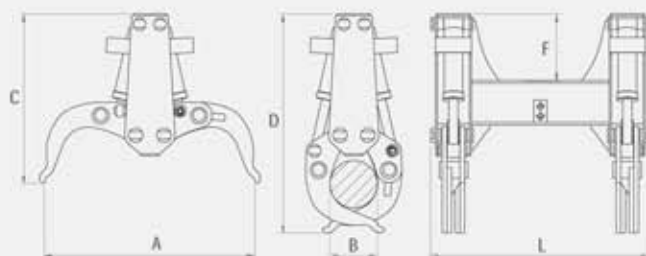
> R56



> R55.1



> R55.2 - R56



Model	Lifting capacity	Weight	Pressure	Oil flow	Sizes +/- 1/2 inch					
	ton	lbs	psi	g/m	A	B	C	D	L	F
R55.1	3.9	1015	4060	18	47	3	40	26	48	6
R55.2	5.5	1036	4060	32	45	10	35	46	47	14
R56	8.8	2822	4060	53	59	14	61	71	63	26