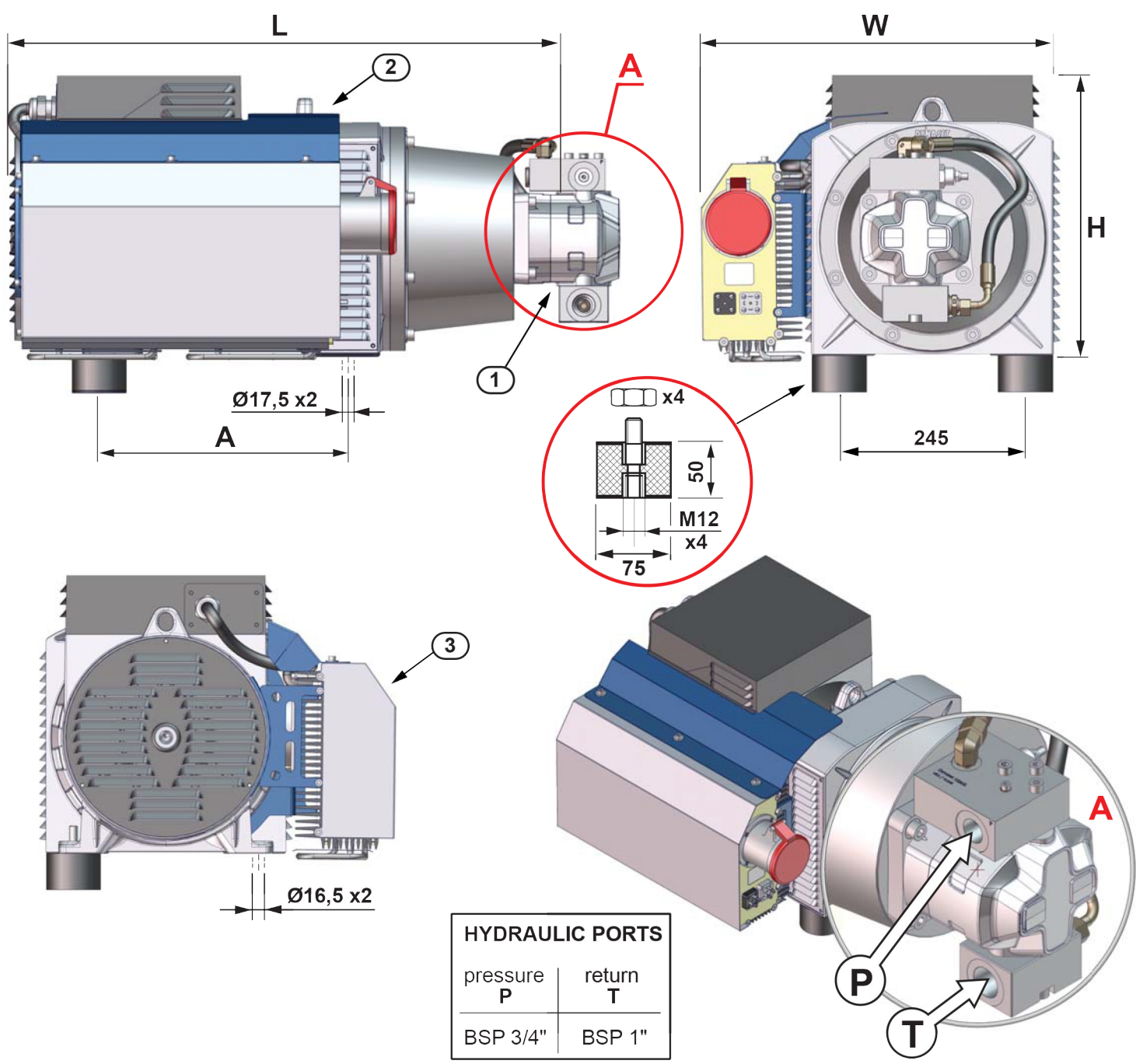




Dynaset hydraulic magnet generator HMG can be used in various applications; Recycling, cleaning and handling of scrap metal, castings, bars, plates, swarf, slag, etc.  
Dynaset hydraulic magnet generator transforms the hydraulic power of a working machine into high quality magnet lifting power effectively to any magnet available. Working machine is always ready to lift and handling accurately ferrous materials. Automatic speed control with quick demagnetization guarantee safe working and long maintenance intervals.

### MAIN ASSEMBLY AND SPECIFICATIONS



	HYDRAULIC FLOW		COIL POWER	VOLTAGE	AUXILIARY ELECTRICITY		WEIGHT	DIMENSIONS			
	l/min	min			max	min		max	kg	L	W
HMGPRO15kW-220VDC-65	69	95	14,5	225 ±%5	3,5	9,0	120	845	500	385	343
HMGPRO20kW-220VDC-86	91	110	19,5	225 ±%5	3,5	9,0	160	900	500	385	343

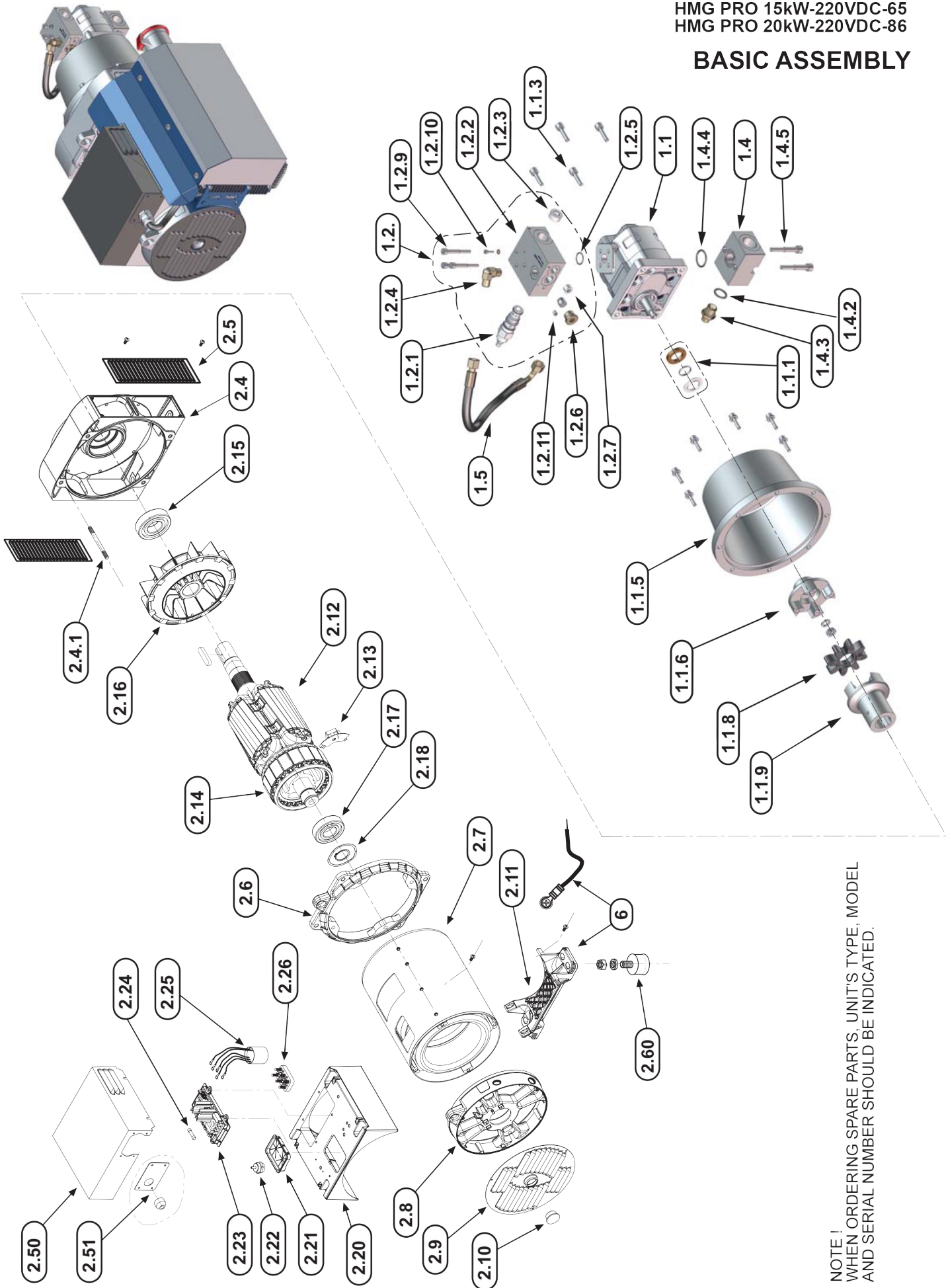
Protection class IP23 \* optional

HYDRAULIC MAGNETIC GENERATOR, PRO-SERIES

HMG PRO 15kW-220VDC-65

HMG PRO 20kW-220VDC-86

BASIC ASSEMBLY



NOTE: WHEN ORDERING SPARE PARTS, UNIT'S TYPE, MODEL AND SERIAL NUMBER SHOULD BE INDICATED.

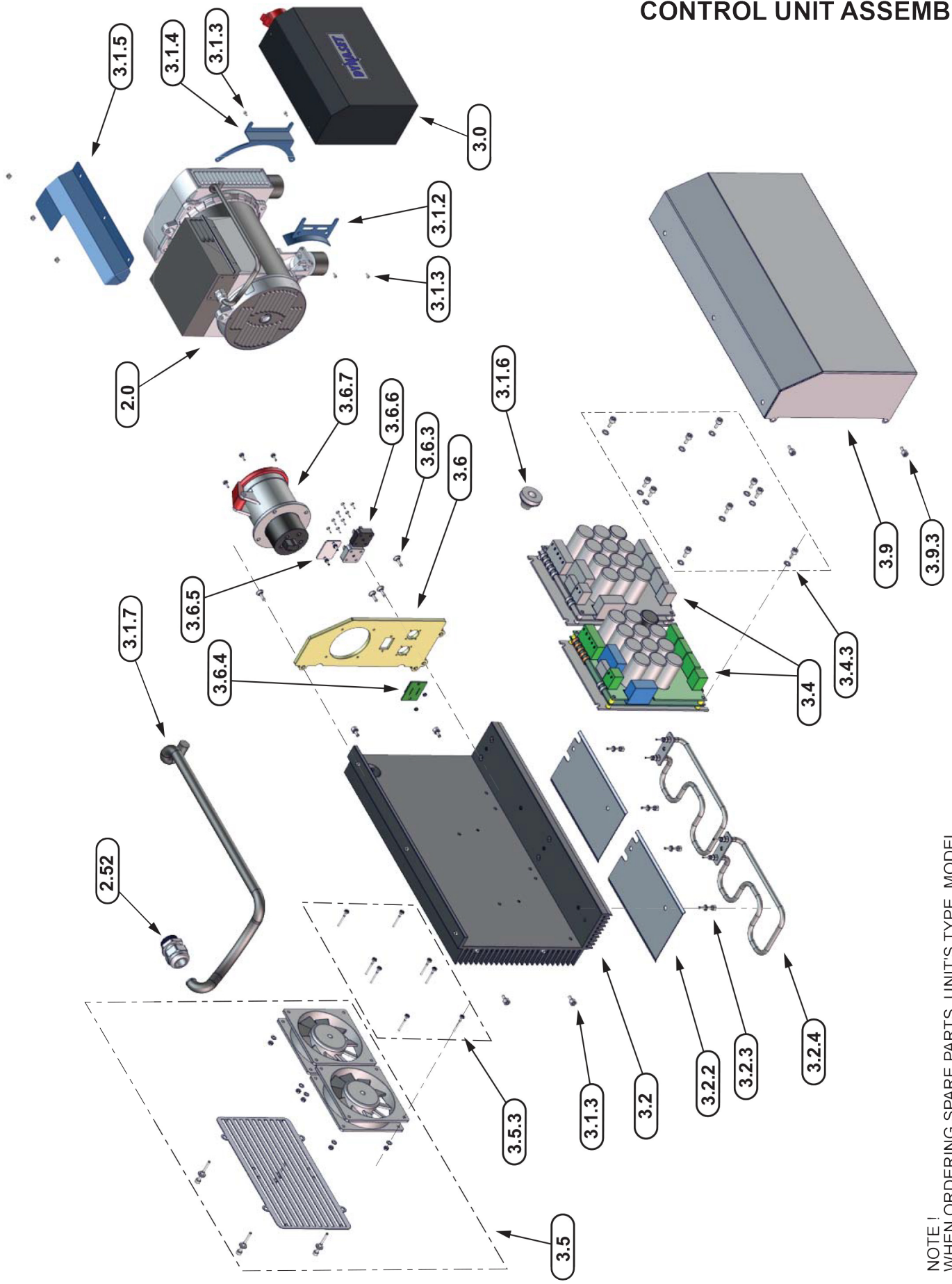
**DYNASET****GENSCO**

HYDRAULIC MAGNETIC GENERATOR, PRO-SERIES

**HMG PRO 15kW-220VDC-65**  
**HMG PRO 20kW-220VDC-86****PART LIST BASIC ASSEMBLY**

No	STOCK NUMBER	DESIGNATION	DETAILS	QUANTITY	
				HMGE 15	HMGE20
1	D120104195	<b>HYDRAULIC MOTOR ASSEMBLY</b>		1	
	D120104225	<b>HYDRAULIC MOTOR ASSEMBLY</b>			1
1.1	0700110110	HYDRAULIC MOTOR		1	
	0700110125	HYDRAULIC MOTOR			1
1.1.1	V100103250	SHAFT SEAL, COMPLETE	3_r	1	
1.1.3	8500415400	ALLEN SCREW	M10x35	4	
1.1.5	8107301000	MOTOR FLANGE	3r-180	1	
	8500415400	ALLEN SCREW + WASHER	M10x35	8 + 8	
1.1.6	8107224000	HALF COUPLING, MOTOR SIDE	H110	1	
1.1.8	8107226000	RUBBER ELEMENT	H110x27	1	
1.1.9	8107217000	HALF COUPLING, ALTERNATOR SIDE	H110	1	
	8500612100	SET SCREW	M10x12	1	
1.2	0700031523	RPM-VALVE BLOCK, COMPLETE	10265L	1	
1.2.1	0700001512	RPM-CARTRIDGE	FLC2	1	
1.2.2	0700031799	VALVE BLOCK	10265L	1	
1.2.3	1702775000	TUBE PLUG	RK3/4	1	
1.2.4	1702365000	ELBOW FITTING	R3/8xRK3/8	1	
1.2.5	2204109000	O-RING 21		1	
1.2.6	1702715000	PLUG	HF R1/2	1	
	0700001525	CHECK VALVE CARTRIDGE		1	
1.2.7	1702705000	TUBE PLUG	R3/8	1	
1.2.8					
1.2.9	8500412710	ALLEN SCREW	M8x55	3	
1.2.10	8500454200	ALLEN SCREW	M5x16	1	
	2104775900	SEAL		1	
1.2.11	1702787000	TUBE PLUG	MK8	1	
1.4	0709010029	RETURN LINE BLOCK, COMPLETE	1"	1	
1.4.2	1702190000	SEAL	USIT 1/2"	1	
1.4.3	1702295000	MALE STUD CONNECTOR	R1/2-R3/8	1	
1.4.4	2204360000	O-RING 29		1	
1.4.5	8500415800	ALLEN SCREW	M10x55	2	
1.5	1803490000	RETURN HOSE ASSEMBLY, COMPLETE	R3/8-400/1-R3/8	1	
2	4104843500	<b>ALTERNATOR ASSEMBLY</b>		1	
2	4104849500	<b>ALTERNATOR ASSEMBLY</b>			1
2.4		FRONT MOUNT		1	
2.4.1	1760090500	TIE ROD	M10 x50	4	
		NUT NYLOCK + WASHER	M10	4 + 4	
2.5	1650020260	SIDE COVER	IP23	2	
2.6	4061011330	SPACER FLANGE		1	
2.7		STATOR ASSEMBLY		1	
2.8	4061012130	REAR MOUNT		1	
2.9	1650120080	AIR DIFFUSER		1	
2.10	2660640180	CAP		1	
2.11	2160080020	REAR SUPPORT		1	
2.12		ROTOR		1	
2.13	3008014000	DIODE BRIDGE BOARD		1	
2.14	5073370450	EXCITER ROTOR			
2.15	1750016309	FRONT BEARING		1	
2.16	2160020040	FAN		1	
2.17	1750016308	REAR BEARING		1	
2.18	1770030900	COMPENSATOR		1	
2.20	4061080030	CHASSIS		1	
2.21	2660600010	GLAND COLLAR		1	
2.22	3057040006	INSULATOR TERMINAL	M6	1	
2.23	3008013000	ELECTRONIC VOLTAGE REGULATOR	AVR	1	
2.24	3043020200	FUSE	5x20 3.15A	1	
2.25	3001020900	INTERFERENCE FILTER	/AVR	1	
2.26	30600106	TERMINAL BOARD		1	
2.50	1650140190	COVER		1	
2.51	7918000000	PLATE		1	
2.52	2690001021	CABLE GLAND		1	
2.60	8307580000	RUBBER CUSHION	70/50 M12	4	
		NUT M12 + WASHER		4 + 4	
2.60.1		GROUNG WIRE	4 mm2	1 kit	

# CONTROL UNIT ASSEMBLY



NOTE!  
WHEN ORDERING SPARE PARTS, UNIT'S TYPE, MODEL  
AND SERIAL NUMBER SHOULD BE INDICATED.

**PART LIST CONTROL UNIT**

No	STOCK NUMBER	DESIGNATION	DETAILS	QUANTITY	
				HMGPRO15	HMGPRO20
3.0	9013251	<b>CONTROL UNIT</b>		1	
3.0	9013251	<b>CONTROL UNIT</b>			1
3.1.2	9017653	REAR SUPPORT		1	
3.1.3	8500406000	ALLEN SCREW	M5x10	4	
3.1.4	9017610	FRONT SUPPORT		1	
3.1.5	9017690	COVER	HMG PRO		1
3.1.6	4806087500	CABLE CROMMET	TET 14-20	1	
3.1.7	9017852	POWER CABLE		1	
3.2	9013250	CONTROL UNIT BODY HMGE	20 kW	1	
3.2.2	9012311	THERMAL PLATE		2	
	8500409500	ALLEN SCREW	M6x25	4	
3.2.4	4609011635	HMGE-RESISTOR	12R	2	
3.4	9013234	CONTROL CIRCUIT BOARD		2	
	8500406000	ALLEN SCREW + WASHER	M5x10	10+10	
3.5		FAN + SCREEN ASSEMBLY		1	
	9017691	SCREEN ASSEMBLY		1	
3.5.3	8500406800	ALLEN SCREW + WASHER	M5x40	4	
3.6	0309013259	SHUKO SHOCKET PLATE	HMG PRO20 kW	1	
3.6.3	8507707900	ALLEN SCREW COUNTER SINK	M5x16	4	
3.6.4	9011632	DISPLAY	HMG PRO		1
3.6.5	9011633	SCREEN	HMG PRO		1
3.6.6	4805960000	CONNECTOR, VALVE SOLENOID	HMG	2	
3.6.7	4805928000	SHOCKET SHUKO 5-POLE 63A IP44		1	
3.9	0309013284	COVER CONTROL UNIT	HMG PRO 15-20	1	
3.9.3	8500406000	ALLEN SCREW	M5x10	2	