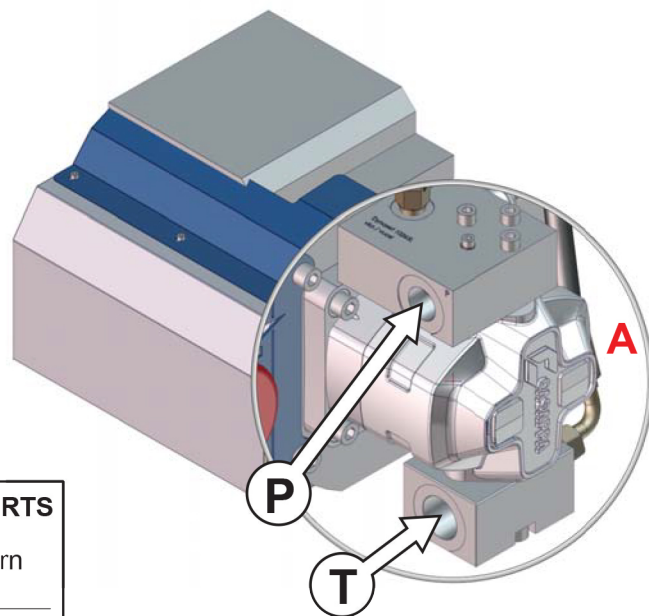
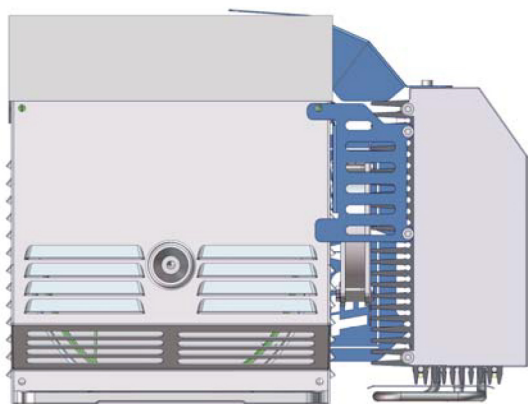
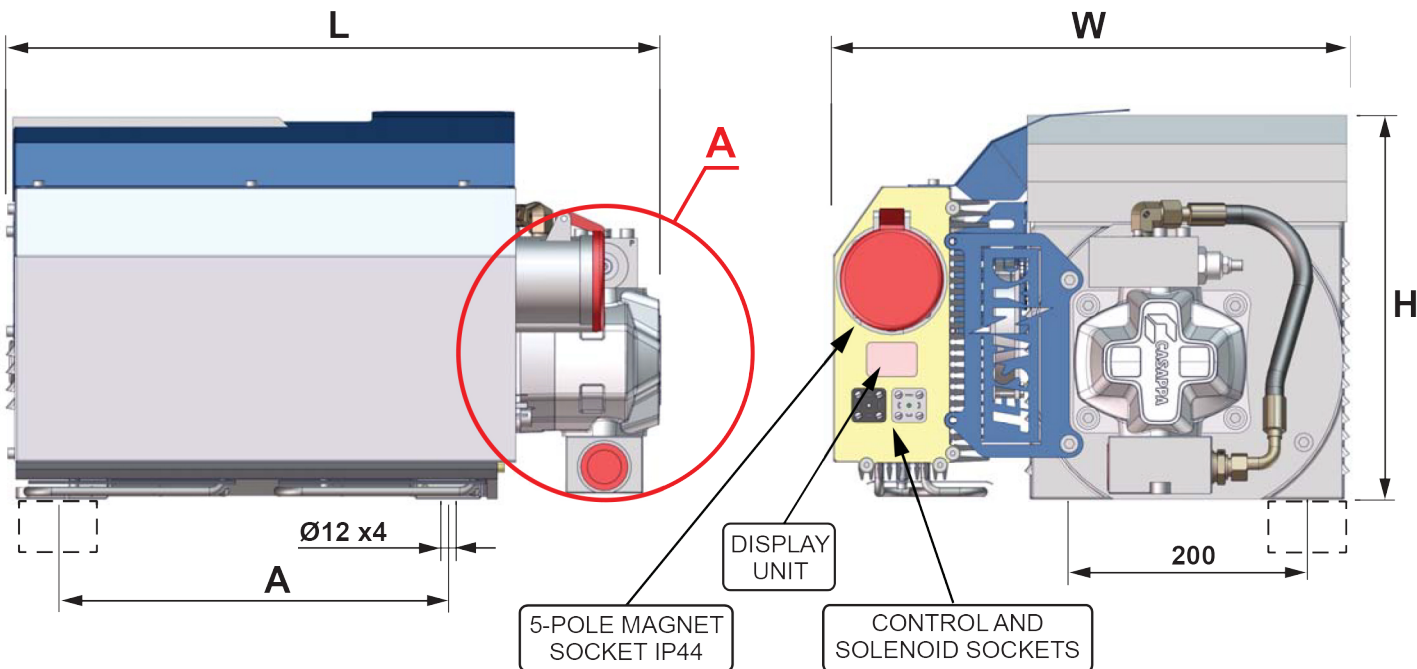




Dynaset hydraulic magnet generator HMG can be used in various applications; Recycling, cleaning and handling of scrap metal, castings, bars, plates, swarf, slag, etc.
Dynaset hydraulic magnet generator transforms the hydraulic power of a working machine into high quality magnet lifting power effectively to any magnet available. Working machine is always ready to lift and handling accurately ferrous materials. Automatic speed control with quick demagnetization guarantee safe working and long maintenance intervals.

MAIN ASSEMBLY AND SPECIFICATIONS



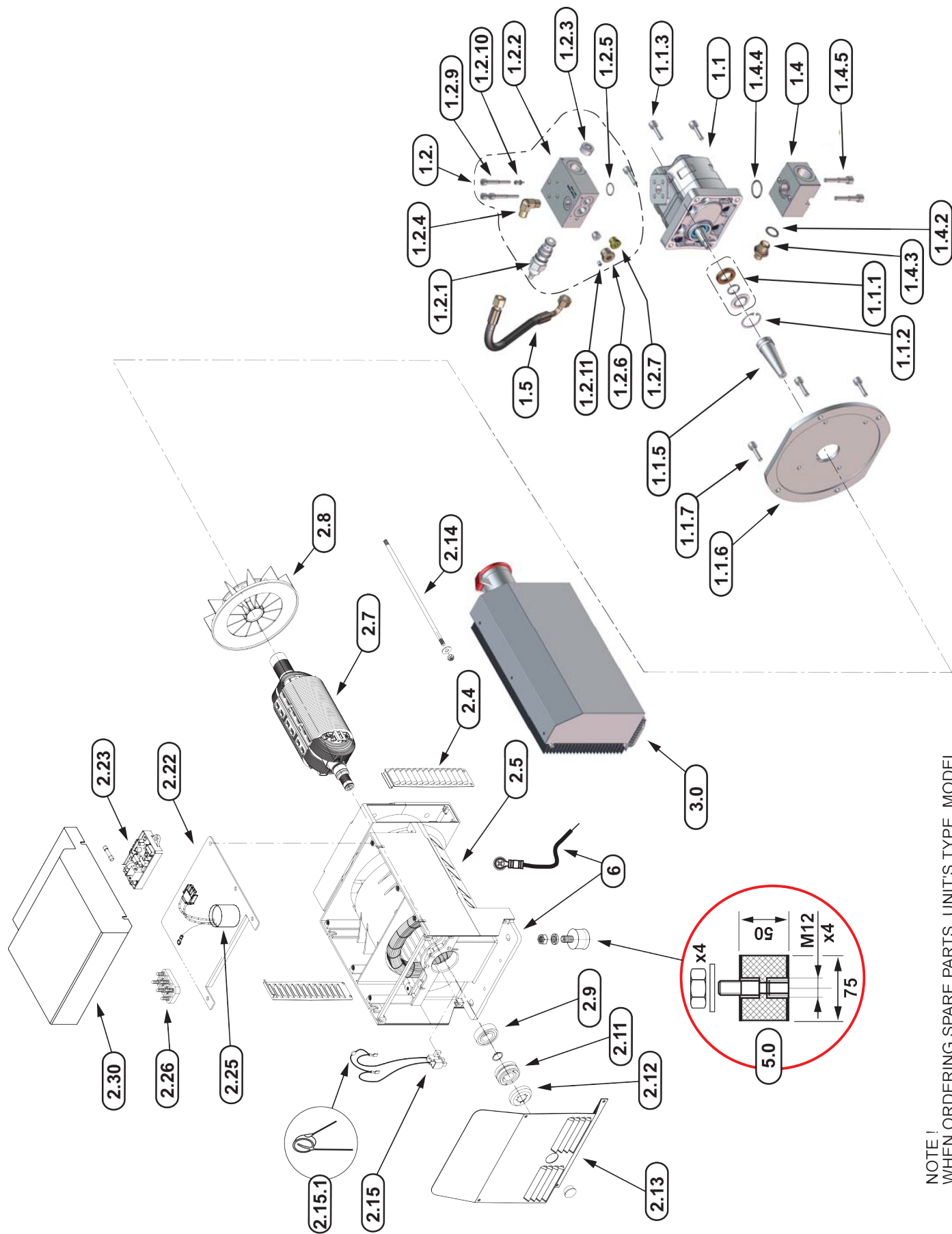
HYDRAULIC PORTS	
pressure P	return T
BSP 3/4"	BSP 1"

	HYDRAULIC FLOW l/min		MAGNET POWER kW max	OPERAT. VOLTAGE V±%	WEIGHT kg	DIMENSIONS mm			
	min	max				L	W	H	A
HMGPRO12kW-220VDC-57	61	80	11,5	220 ±5	100	575	450	340	343

Protection class IP23



BASIC ASSEMBLY



NOTE!
 WHEN ORDERING SPARE PARTS, UNIT'S TYPE, MODEL
 AND SERIAL NUMBER SHOULD BE INDICATED.

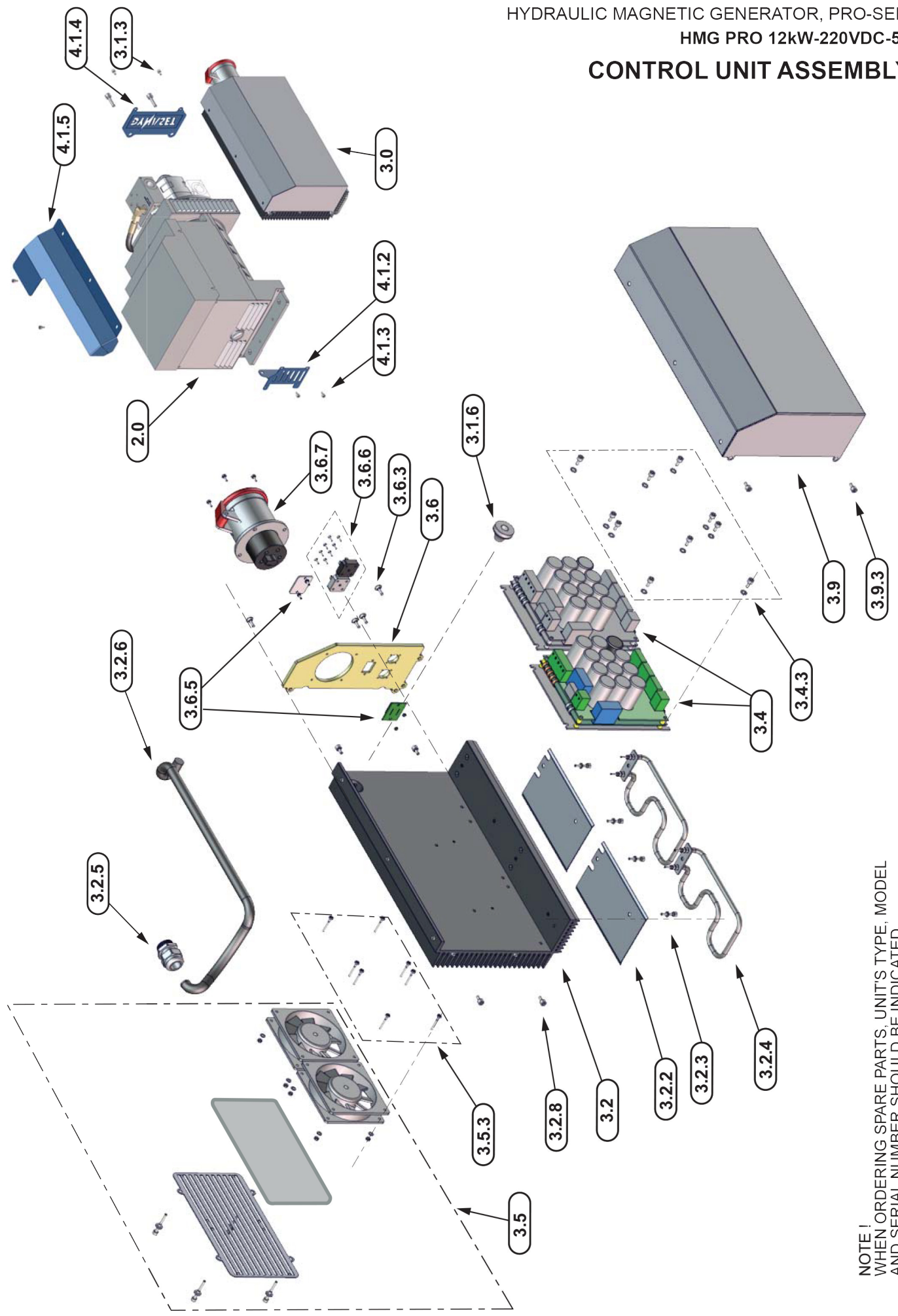


PART LIST BASIC ASSEMBLY

NO	STOCK NUMBER	DESIGNATION	DETAILS	QUANTITY
	D120104208	HYDRAULIC MOTOR ASSEMBLY		1
1.1	0700110140	HYDRAULIC MOTOR		1
1.1.1	V100103250	SHAFT SEAL, COMPLETE	3r	1
1.1.2	V100103300	SNAP RING	30	1
1.1.3	8500415400	ALLEN SCREW	M10x35	4
1.1.4	0100030480	HG CONE COUPLING	1:5,333	1
1.1.6	8109010240	HG FLANGE	3r	1
1.1.7	8500062700	HEX SCREW	M8x35	4
1.2	0700031523	RPM-VALVE BLOCK, COMPLETE	10265L	1
1.2.1	0700001512	RPM-CARTRIDGE	FLC2	1
1.2.2	0700031799	VALVE BLOCK	10265L	1
1.2.3	1702775000	TUBE PLUG	RK3/4	1
1.2.4	1702365000	ELBOW FITTING	R3/8xRK3/8	1
1.2.5	2204109000	O-RING 21		1
1.2.6	1702715000	HF PLUG	HF R1/2	1
	0700001525	CHECK VALVE CARTRIDGE	R3/8	1
1.2.7	1702705000	HF PLUG	R3/8	1
1.2.9	8500412710	ALLEN SCREW	M8x55	3
1.2.10	8500454200	ALLEN SCREW	M5x16	1
	2104775900	SEAL		1
1.2.11	1702787000	TUBE PLUG	MK8	1
1.4	0709010029	RETURN LINE BLOCK	1"	1
1.4.2	1702190000	SEAL	USIT 1/2"	1
1.4.3	1702295000	MALE STUD CONNECTOR	R1/2-R3/8	1
1.4.4	2204360000	O-RING 29		1
1.4.5	8500415800	ALLEN SCREW	M10x55	2
1.5	1803490000	RETURN HOSE ASSEMBLY, COMPLETE	R3/8-400/1-R3/8	1
2	4104816080	ALTERNATOR ASSEMBLY		1
2.3		FRONT MOUNT		1
2.4		SIDE SCREEN	IP23	2
2.5		STATOR ASSEMBLY		1
2.6		AIR DIFFUSER	HMG	1
2.7		ROTOR ASSEMBLY		1
2.8		FAN		1
2.9		REAR BEARING	6205 2RS1 C3	1
2.11		SLIP RING		1
2.12		SLIP RING COVER		1
2.13		END COVER	HMGE10	1
2.14		STUD		1
2.15		BRUSH GEAR		1
2.15.1	4605750000	VARISTOR		1
2.22		CHASSIS		1
2.23		ELECTRONIC VOLTAGE REGULATOR	AVR	1
2.24		FUSE	5x20 3.15A	1
2.25		INTERFERENCE FILTER	AVR	1
2.26		TERMINAL BOARD		1
2.30		COVER		1
5.	8307580000	RUBBER CUSHION	OPTIONAL	4
		NUT M10 + WASHER		4 + 4
6.		GROUND WIRE	4 mm2	1

HYDRAULIC MAGNETIC GENERATOR, PRO-SERIES
HMG PRO 12kW-220VDC-57

CONTROL UNIT ASSEMBLY



NOTE!
WHEN ORDERING SPARE PARTS, UNIT'S TYPE, MODEL
AND SERIAL NUMBER SHOULD BE INDICATED.



PART LIST CONTROL UNIT

No	STOCK NUMBER	DESIGNATION	DETAILS	QUANTITY
3.0	9013251	CONTROL UNIT		1
3.2	9013250	CONTROL UNIT BODY HMGE	20 kW	1
3.2.2	9012311	THERMAL PLATE		2
3.2.3	8500409500	ALLEN SCREW	M6x25	4
3.2.4	4609011635	HMGE-RESISTOR	12R	2
3.2.5	4806087500	CABLE CROMMET	TET 14-20	1
3.2.6	9017852	POWER CABLE		1
3.2.8	8500406000	ALLEN SCREW	M5x10	4
3.4	9013234	CONTROL CIRCUIT BOARD		2
	8500406000	ALLEN SCREW + WASHER	M5x10	10+10
3.5		FAN + SCREEN ASSEMBLY	HMG PRO	1
3.5.3	8500406800	ALLEN SCREW + WASHER	M5x40	8
3.6	0309013259	SHUKO SHOCKET PLATE	HMG PRO20 kW	1
3.6.3	8507707900	ALLEN SCREW COUNTER SINK	M5x16	4
3.6.5	V100103535	DISPLAY UNIT	HMG PRO	1
3.6.6	4805960000	CONNECTOR, VALVE SOLENOID	HMG	2
3.6.7	4805928000	SHOCKET SHUKO 5-POLE 63A IP44		1
3.9	0309013284	COVER CONTROL UNIT	HMG PRO 15-20	1
3.9.3	8500406000	ALLEN SCREW	M5x10	2
4.1.2	9018558	REAR SUPPORT		1
4.1.3	8500406000	ALLEN SCREW	M5x10	4
4.1.4	9018556	FRONT SUPPORT		1
4.1.5		COVER	HMG PRO	1
5.	8307580000	RUBBER CUSHION	OPTIONAL	4
		NUT M10 + WASHER		4 + 4
6.		GROUND WIRE	4 mm2	1