

Engine	Yanmar 4TNV98-PLYS
Gross Power	50.3 kW (67 hp) @ 2,400 rpm
Net Power	47.8 kW (64 hp) @ 2,400 rpm
Breakout Force	20 kN
Rated Load	795 kg
Bucket Capacity	0.4 m <sup>3</sup>
Operating Weight	2,950 kg

# 365A SKID STEER LOADER



TOUGH WORLD. TOUGH EQUIPMENT.

# 365A SPECIFICATIONS >>>

ENGINE	
Emission Regulation	Tier 2 / Stage II
Make	Yanmar
Model	4TNV98-PLYS
Gross Power	50.3 kW (67 hp) @ 2,400 rpm
Net Power	47.8 kW (64 hp) @ 2,400 rpm
Peak Torque	239 N • m @ 1,550 rpm
Number of Cylinders	4
Displacement	3.3 L
Cooling Type	water

ELECTRICAL SYSTEM	
System Voltage	12 V
Alternator Output	80 amps

CHAIN TANK	
Drive Chain Size	80 HS

TIRES	
Ply Type	pneumatic
Tire Size	10 - 16.5
Ply Rating	8

HYDRAULIC SYSTEM		
System Type	open	
Standard Flow	79.2 L/min	
Optional High Flow	120 L/min	
Traveling Hydrostatic Pressure	32 MPa	
Working Hydrostatic Pressure	20.7 MPa	
Hydraulic Cycle Time, total	8.7 s	
Raise	Dump	Lower (float down)
4.1 s	2.4 s	2.2 s

OPERATING WEIGHT	
Operating Weight	2,950 kg

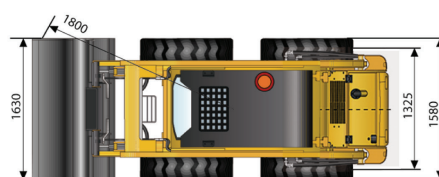
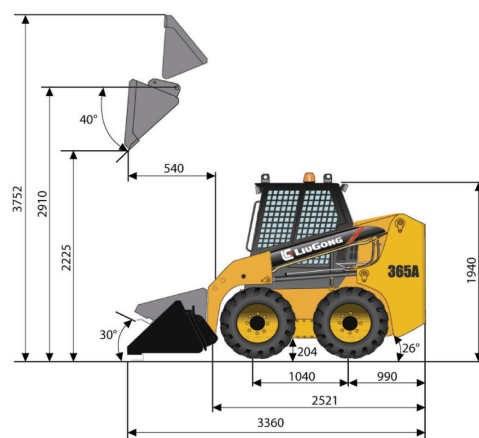
PERFORMANCE	
Static Tipping Load	1,590 kg
Rated Load	795 kg
Boom Breakout Force	18.9 kN
Bucket Breakout Force	20.8 kN
Dump Clearance at Full Height Discharge	2,220 mm
Dump Reach at Full Height Discharge	540 mm
Maximum Dump Angle at Full Height	40°
Maximum Hinge Pin Height	2,923 mm
Bucket Rollback at Ground Level	30°
Ground Clearance	204 mm
Angle of Departure	26°
Front Clearance Radius	1,800 mm

SERVICE CAPACITIES	
Fuel Tank	80 L
Engine Oil	10.4 L
Cooling System	18 L
Hydraulic Reservoir	52 L
Hydraulic System Total	56 L
Chain Tanks, Each	7 L

OPTIONAL ATTACHMENTS	
4 in 1 Bucket – 0.4 m <sup>3</sup>	Auger
Rocket Bucket – 0.4 m <sup>3</sup>	Cold Planer
Scrap Bucket – 350 mm to 650 mm	Snow Blade
Hydraulic Hammer	Pick - up Sweeper
Fork	Hydraulic Shear
Lift Boom	Trencher

STANDARD EQUIPMENT	
General Bucket - 0.4 m <sup>3</sup>	
Control Safety Interlock	
Boom Interlock	
Quick Coupler	
Enclosed ROPS / FOPS Cab with AC	
Auxiliary High Flow - 120.2 L/min	

OPTIONAL EQUIPMENT	
Open ROPS / FOPS Cab	
Flow Standard – 79.2 L/min	
Solid Tire	
Tire Chains	



Unit: mm

## Guangxi Liugong Machinery Co., Ltd.

No. 1 Liutai Road, Liuzhou, Guangxi 545007, PR China  
T: +86 772 3886124 E: overseas@liugong.com  
www.liugong.com

05/2014 Designed by Liugong

Specifications and designs are subject to change without notice. Machines shown may include optional equipment.