

Engine Kubota D1703-M-E3B
Net Power 23.4 kW (31.8 hp) @ 2,800 rpm
Vibration Frequency Range 63 / 52 Hz
Centrifugal Force Range 36 kN / 25 kN
Working Width 1,250 mm
Operating Weight 2,850 kg

6028 ROLLER

 **LIUGONG**



TOUGH WORLD. TOUGH EQUIPMENT.

6028 SPECIFICATIONS >>>

ENGINE	
Emission Regulation	Tier 4 Interim / Stage IIIB
Make	Kubota
Model	D1703-M-E3B
Gross Power	26.1 kW (35 hp) @ 2,800 rpm
Net Power	23.4 kW (31.8 hp) @ 2,800 rpm
Peak Torque	104.3 N · m
Number of Cylinders	3
Aspiration	natural
Cooling Type	water

ELECTRICAL SYSTEM	
System Voltage	12 V

DRIVE TRAIN	
Theoretical Gradeability, without/ with Vibration	40%
Transmission Type	hydrostatic
Maximum Speed, fwd	8 km/h
Inside Turning Radius	<2,740 mm
Outside Turning Radius	<3,990 mm

AXLES	
Steering System	hydraulic
Steering Method	articulation
Steering Angle	±30°
Steering Relief Pressure	16 MPa

BRAKES	
Service Brake Type	hydraulic
Service Brake Actuation	hydraulic
Parking Brake Actuation	mechanical apply; hydraulic release

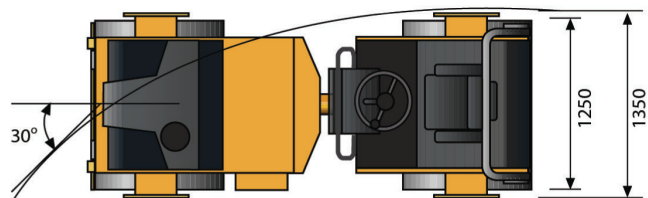
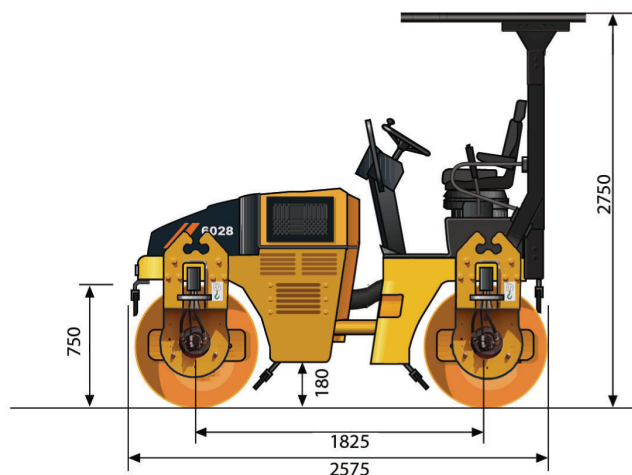
HYDRAULIC SYSTEM	
Main Pump Type	piston pump + gear pump
Main Relief Pressure	35 + 18 MPa

PERFORMANCE	
Static Linear Front Drum Load	112 kg - mm
Number of Vibrating Drums	2
Nominal Amplitude Range	0.5 mm
Vibration Frequency Range	63 / 52 Hz
Centrifugal Force Range	36 / 25 kN
Number of Amplitude Settings	2

OPERATING WEIGHTS	
Operating Weight with Ballast	2,850 kg
Weight on Front Drum	1,425 kg
Weight on Tires	1,425 kg

SERVICE CAPACITIES	
Fuel Tank	61 L
Engine Oil	7 L
Cooling System	5 L

OPTIONAL EQUIPMENT	
Rotary Beacon	
Backup Alarm	



Unit: mm

Guangxi Liugong Machinery Co., Ltd.

No. 1 Liutai Road, Liuzhou, Guangxi 545007, PR China
 T: +86 772 3886124 E: overseas@liugong.com
 www.liugong.com

05/2014 Designed by LiuGong

Specifications and designs are subject to change without notice. Machines shown may include optional equipment.