

Engine	Cummins B3.3
Gross Power	60 kW (80.5 hp) @ 2,200 rpm
Net Power	54 kW (72.4 hp) @ 2,200 rpm
Maximum Digging Depth	4,150 mm
Standard Bucket Capacity	0.32 m <sup>3</sup>
Operating Weight	7,800 kg

# 908D EXCAVATOR



TOUGH WORLD. TOUGH EQUIPMENT.

# 908D SPECIFICATIONS >>>

## ENGINE

Emission Regulation	Tier 2 / Stage II
Make	Cummins
Model	B3.3
Gross Power	60 kW (80.5 hp) @ 2,200 rpm
Net Power	54 kW (72.4 hp) @ 2,200 rpm
Peak Torque	292 N · m @ 1,600 rpm
Number of Cylinders	4
Displacement	3.3L

## TRACK DRIVE

Maximum Travel Speed	4.2 km/h
Drawbar Pull	56 kN

## UNDERCARRIAGE

Shoe Width	450 mm
Number of Shoes per Side	39
Number of Upper Rollers per Side	1
Number of Bottom Rollers per Side	6

## HYDRAULIC SYSTEM

Main Pumps Total Flow	158 L/min
Relief Pressure, main	27.4 Mpa

## SWING SYSTEM

Swing Speed	12.5 rpm
-------------	----------

## REFERENCE ARM

Arm Length	1,650 mm
Arm Breakout Force, max, ISO	40.1 kN

## WORKING RANGES

Maximum Dig Depth	4,150 mm
Reach at Ground Level	6,225 mm
Depth of 8' Level Bottom	3,785 mm
Maximum Dig Height	7,150 mm
Dump Height	5,080 mm
Maximum Dig Depth of Vertical Wall	3,230 mm

## BUCKET PERFORMANCE

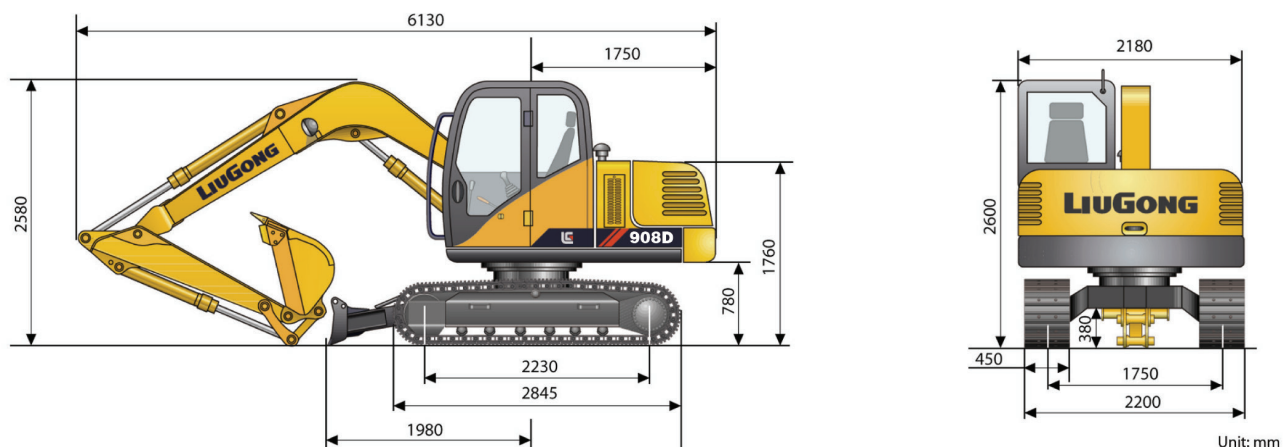
Standard Bucket Heaped Capacity (Referenced)	0.32 m <sup>3</sup>
Minimum Heaped Capacity of Bucket Options	0.13 m <sup>3</sup>
Maximum Heaped Capacity of Bucket Options	0.36 m <sup>3</sup>
Bucket Breakout Force, max, ISO	61 kN

## SERVICE CAPACITIES

Fuel Tank	170 L
Engine Oil	7 L
Cooling System	15 L
Hydraulic Reservoir	60 L
Hydraulic System Total	110 L

		Bucket: SAE 0.32 m <sup>3</sup>		Boom: 3,710 mm		Arm: 1,650 mm		Shoes: 450 mm	
Lift Point Height		2 m		3 m		4 m		5 m	
5 m	kg			※1,471	※1,471				
4 m	Kg			※1,590	※1,590	※1,545	※1,545		
3 m	kg	※2,635	※2,635	※1,995	※1,995	※1,713	1,577		
2 m	kg	※4,320	※4,320	※2,575	2,329	※1,972	1,493	※1,583	1,087
1 m	kg	※5,188	※4,148	※3,070	2,169	※2,221	1,413	※1,685	1,048
0	kg	※5,091	4,094	※3,285	2,081	※2,367	1,357	※1,796	1,006
-1 m	kg	※4,737	4,096	※3,221	2,052	※2,349	1,332	※1,852	976
-2 m	kg	※4,099	※4,099	※2,879	2,067	※2,081	1,344		

- ※ Indicates the load is limited by hydraulic capacity rather than tipping capacity.
- The above rated loads are in compliance with ISO 10567 hydraulic excavator lift capacity rating standard. They do not exceed 87% of hydraulic lifting capacity or 75% tipping load.
- Ratings at bucket lift hook.



## Guangxi Liugong Machinery Co., Ltd.

No. 1 Liutai Road, Liuzhou, Guangxi 545007, PR China  
 T: +86 772 3886124 E: overseas@liugong.com  
 www.liugong.com

Specifications and designs are subject to change without notice. Machines shown may include optional equipment.

05/2014 Designed by Liugong