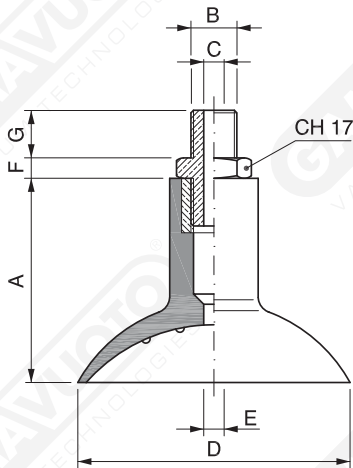


Ventose sferiche
con supporto maschio

Spherical suction cups
with male support

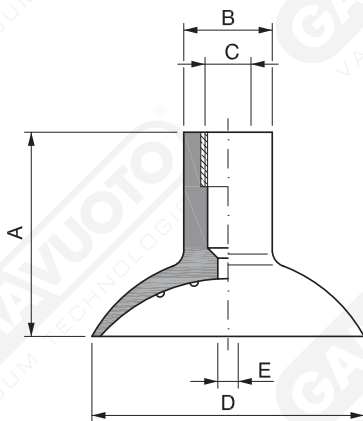


art. VCM

Art.	A	B	C	D	E	F	G
VCM 30	36	1/4	6	30	5	5	8
VCM 42	37	1/4	6	42	5	5	8
VCM 50	40	1/4	6	50	6	5	8
VCM 60	42	1/4	6	60	6	5	8
VCM 80	45	1/4	6	80	6	5	8
VCM 100	50	1/4	6	100	6	5	8

Ventose sferiche
con filetto femmina vulcanizzato interno

Spherical suction cups
with female vulcanized thread



art. VCF

Art.	A	B	C	D	E
VCF 30	36	14	1/8	30	5
VCF 42	37	18	1/4	42	5
VCF 50	40	20	1/4	50	6
VCF 60	42	22	1/4	60	6
VCF 80	45	26	1/4	80	6
VCF 100	50	28	1/4	100	6