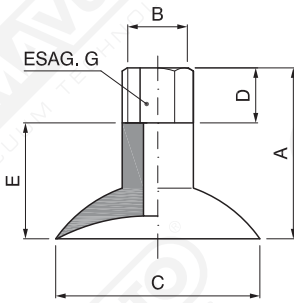


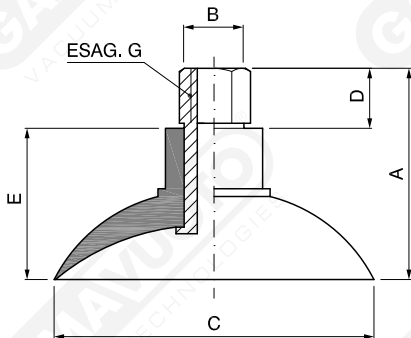
Ventose sferiche
con supporto femmina

Spherical suction cups
with female support



art. VSUF 10-30/L

Art.	Vent. S. cup	+ Supp. + Supp.	Forza Kg Force Kg	A	B	CØ	D	E	G
VSUF 10	V10	SUF 51 /	0,17	23	1/8"	10	12	11	14
VSUF 12	V12	SUF 51 /	0,25	23	1/8"	12	12	11	14
VSUF 15	V15	SUF 51 /	0,40	24	1/8"	15	12	12	14
VSUF 18	V18	SUF 51 /	0,65	24	1/8"	18	12	12	14
VSUF 20	V20	SUF 51 /	0,74	25	1/8"	20	12	13	14
VSUF 22	V22	SUF 51 /	0,93	25	1/8"	22	12	13	14
VSUF 25/L	V25/L	SUF 57 /	1,25	28	1/8"	25	12	16	14
VSUF 30/L	V30/L	SUF 57 /	1,70	28	1/8"	30	12	16	14

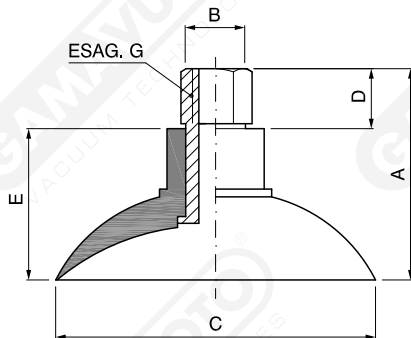


art. VSUF 35/L-45/L

Art.	Vent. S. cup	+ Supp. + Supp.	Forza Kg Force Kg	A	B	CØ	D	E	G
VSUF 35/L	V35/L	SUF 52* SUM14	2,35	30	1/4"*	35	13	17	19
VSUF 45/L	V45/L	SUF 52* SUM14	4,00	33	1/4"*	45	13	20	19

* Disponibile anche con attacco femmina 1/8" **SUF 58***

* Also available with female connection 1/8" **SUF 58***



art. VSUF 60-87

Art.	Vent. S. cup	+ Supp. + Supp.	Forza Kg Force Kg	A	B	CØ	D	E	G
VSUF 60	V60	SUF 52* SUM21	6,85	35	1/4"*	60	13	22	19
VSUF 65	V65	SUF 52* SUM21	7,10	37	1/4"*	65	13	24	19
VSUF 87	V87	SUF 54 SUM21	14,50	55	1/4"	87	15	40	19

* Disponibile anche con attacco femmina 1/8" **SUF 58***

* Also available with female connection 1/8" **SUF 58***