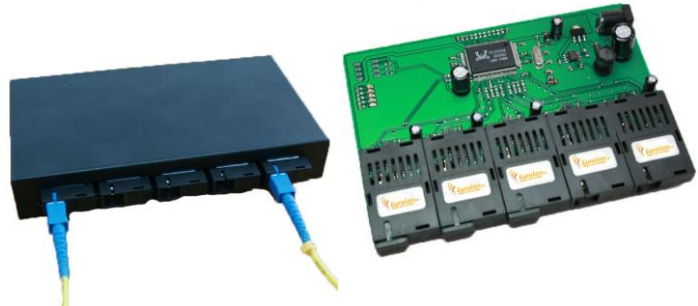


## Fiber Optical Switch ES-0500-T

**BIDI TX1310/RX1550  
TX1550/RX1310**



**ES-0500-T**- 10/100Base - FX Optical Switch complies with IEEE802.3 and IEEE 802.3u Standards. ES-0500-T enables network managers to connect 10 Mbps and 100 Mbps fiber optic cabling more cost-effectively than ever. WDM Technology- single fiber saves the Installation cost of expensive fiber cable. ES-0500-T switches are ideal for any premises FTTx, WAN fiber networking applications.

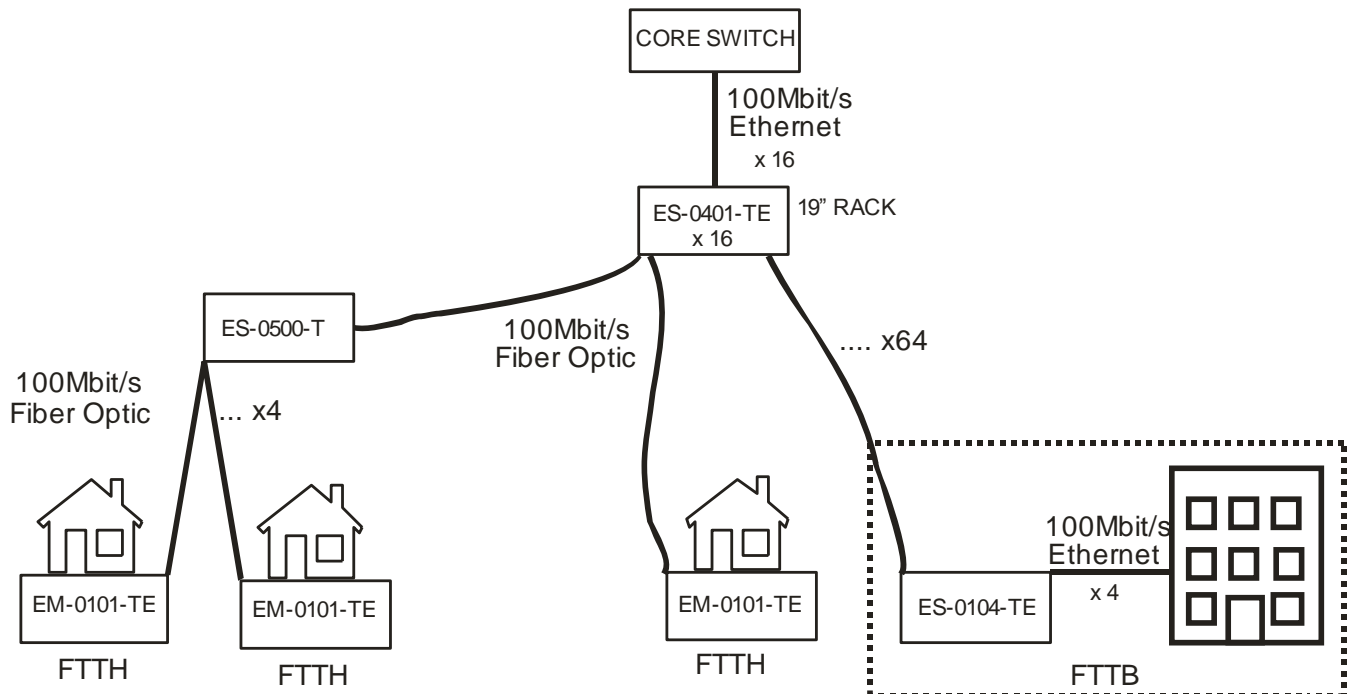
### 1. KEY FEATURES

- Complies with IEEE802.3 and IEEE802.3u 100Base-FX
- MDI/MDI-X Auto Negotiation
- Max transmit packet(s):1552bytes
- WDM Technology- Saves the installation cost of expensive fiber cable
- Built in 5 x 100base-fx SC ports
- Modified cut-through frame forwarding for low latency
- Pure converter mode data forwarding for extreme low latency
- Flow control for full and half duplex operation
- Led display for link/activity

### 2. TECHNICAL SPECIFICATION

Standard: 802.3 10B-T, 802.3u 100b-Tx&100b-Fx, 802.3x, 802.1.p  
Wavelength: BIDI TX1310nm/RX1550nm; TX1550nm/RX1310nm  
Fiber Ports Distance: 10km  
Fiber Cable: 8.3/125, 8.7/125, 9/125 or 10/125single-mode  
Connectors: 5 x SC connector  
Power Supply: 7VDC – 24VDC  
Power Consumption: MAX 500mA@12V  
Operating temperature: 0 to 60C  
Storage temperature : -20 to 70C

### 3. APPLICATION



### 4. ORDERING INFORMATION

There are available two options regarding the fiber ports wavelengths:

1. ES-0500-T TX1550nm/RX1310nm
2. ES-0500-T TX1310nm/RX1550nm