

Thermal Circuit Breakers

Reliable, Cost-effective Circuit Protection



Carling Technologies®

Innovative Designs. Powerful Solutions.



Transforming Customer Needs into Customer Solutions

Carling Technologies Sales, Service and Engineering teams do much more than manufacture electrical components, they engineer powerful solutions! By working closely with a customer's product team and understanding the requirements of the specific application, Carling's product experts can tailor switching and circuit protection solutions to meet any customer's needs—cost effectively.

Since the company was founded in 1920, there are few products that Carling Technologies hasn't turned "ON" and fewer industries that haven't turned to Carling for solutions. With four ISO registered manufacturing facilities and technical sales offices worldwide, Carling now ranks among the world's largest, privately owned manufacturers of hydraulic magnetic circuit breakers, thermal circuit breakers, electrical switches, electronic switches, miniature switches, power distribution centers, digital switching systems and electronic controls.

Globally, there are over 2,000 employees working for Carling, providing solutions to customers' application needs with innovation, value, and world-class service for both standard and custom products. Carling's breadth and depth of standard product offerings gives customers literally millions of configuration choices to meet the demands of its Strategic Markets:

- Marine
- Military
- Renewable Energy
- Telecom/Datacom
- Transportation



Additional markets served by Carling products include: Audio Visual, Commercial Food Equipment, Commercial HVAC, Floor Care, Generators, Industrial Control, Kitchen & Small Appliances, Security Systems, Test & Measurement equipment, among others.

If the standard product does not meet the application requirements, the engineering team at Carling has the expertise to customize solutions faster and more creatively thanks in measure to over ninety years of experience as an innovative company that manufactures a diverse range of products. The Carling Sales, Service and Engineering teams work closely with the customer's engineering team to advance a custom project from initial concept to final design and product release, respecting both quality and cost throughout the process. With extensive field knowledge and resources available, Carling Technologies can ensure that the products created for the customer are of superior quality from the start, thus avoiding costly secondary operations or modifications. Carling's commitment to excellence consistently delivers "Quality by Design," the company mission.

Carling has an extensive network of Sales Representatives and Distributors to assist with Carling products, or contact a Carling Technologies' Technical Sales Representative to design innovative, cost-effective, quality engineered solutions that exceed the tough demands of today's applications.

Table of Contents

2	Thermal Circuit Breaker - Selector Guide
3	C1005B-Series Lighted Rocker Thermal Circuit Protection, Ratings up to 16A AC/DC
5	CTB-Series Panel Mount Rocker Thermal Circuit Protection, Ratings up to 16A AC/DC
6	CMB-Series Pushbutton Thermal Circuit Protection, Ratings up to 20A AC/DC
8	CLB-Series Pushbutton Thermal Circuit Protection, Ratings up to 60A AC/DC
10	CMBA/CLBA-Series Auto-Reset Thermal Circuit Protection Ratings up to 40A AC/DC

Thermal Circuit Protectors

This catalog features Carling Technologies current line of thermal circuit protectors, from 3 to 60 amps, which offer reliable, cost effective circuit protection.

Thermal circuit protectors utilize a bimetallic strip electrically in series with the circuit. The heat generated by the current during an overload deforms the bimetallic strip and trips the breaker.

Thermal protectors have a significant advantage over fuses in that they can be reset after tripping. They can also be used as the main ON/OFF switch for the equipment being protected.

Typical Applications Include:

- ♦ Household Appliances
- ♦ Transportation
- ♦ Marine
- ♦ Power Strips
- ♦ Medical Equipment
- ♦ Audio Visual Equipment
- ♦ Power Supplies
- ♦ Exercise Equipment
- ♦ Among Others

Thermal Circuit Breaker Selector Guide



C1005B-SERIES



CTB-SERIES



CMB-SERIES



CLB-SERIES



CMB/CLBA-SERIES

Number of Poles	Single	Single	Single	Single	Single
Actuator Style	Rocker / Lighted Rocker	Rocker	Pushbutton	Pushbutton	N/A
Maximum Current & Voltage Ratings	7 to 16A, 125-250VAC, 32VDC	3 to 16A, 125-250VAC, 50VDC	3 to 20A, 125-250VAC, 32VDC	3 to 60A, 125-250VAC, 32VDC	3 to 40A, 125-250VAC, 32VDC
Maximum Interrupting Capacity	1000A	1000A	2500A @ 32 VDC	2500A @ 32 VDC	2500A @ 32 VDC
Available Circuits	Series Trip Manual Reset	Series Trip Manual Reset	Series Trip Manual Reset	Series Trip Manual Reset	Series Trip Auto Reset
Terminal Options	.250" Tab Solder Lug	.250" Tab	.250" Tab .250" Tab w/ 90° bend Screw Terminal Screw Terminal w/ 90° bend	.250" Tab .250" Tab with 90° bend Screw Terminal Screw Terminal w/ 90° bend	.250" Tab .250" Tab with 90° bend
Mounting Method	Front Panel Snap-in	Front Panel Snap-in	Front Panel Front Panel Snap-in	Front Panel Front Panel Snap-in	Plug-in
Operating Temperature	-10°C to 65°C	-10°C to 60°C	-10°C to 60°C	-10°C to 60°C	-10°C to 60°C
Agency Approvals	UL, CUL, TUV	UL, CUL, VDE, CE	UL, CUL, CSA, TUV, CE, UL1500 / ISO8846 for ignition protection / marine	UL, CUL, CSA, TUV, CE, UL1500 / ISO8846 for ignition protection / marine	UL, CUL, TUV, UL1500 / ISO8846 for ignition protection / marine
Thermal Catalog Page	3	5	6	8	10

C1005B-Series

THERMAL CIRCUIT PROTECTORS

The C1005B-Series offers the functionality of a switch and circuit breaker in a single compact package, which fits an industry standard. 500 x 1.125 mounting hole. This combo device eliminates the need for both a switch and thermal circuit protector on customer panels. By using only this multipurpose product, wiring and assembly costs are greatly reduced, while at the same time, valuable panel real estate is saved.

The C1005B-Series is available lighted or unlighted, in a variety of colors, with solder lug or .250 Tabs. Current ratings range from 7-16 amps@125 and 250 VAC and up to 32 VDC.

Product Applications:

Household and Commercial Appliances
 Transportation
 Marine
 Telecommunications
 Power Strips
 Audio-visual Equipment
 Medical equipment
 Power supplies
 Generators

Safety Regulatory Agency Approvals:

UL, CUL, TUV



A SWITCH & CIRCUIT PROTECTOR
 IN ONE SMALL, COMPACT PACKAGE!

Product Highlights:

- ◆ Industry Standard .550 X 1.125 mounting hole (14mm X 28.6mm)
- ◆ Ratings from 7-16 Amps
- ◆ Standard Reset/Off Legend
- ◆ Aesthetically pleasing Curved Rocker & Angular Bezel
- ◆ .250 Tabs or Solder Lug Terminations
- ◆ 65°C Max Operating Temperature
- ◆ 1000 AIC Interrupting Capacity
- ◆ 1500 VAC Dielectric Strength
- ◆ 100 megohms at 500 VDC Insulation Resistance
- ◆ Compact Space-saving Envelope
- ◆ UL1077, UL1363, IEC 60934

C1005B-Series - Ordering Scheme

C1005B - **3** **B** **15** **1** **B** **R** **3**

1
Series

2 3
Illumination Termination

4
Current Rating

5
Contact Material

6
Bezel Legend

7
Rocker Color

8
Lamp Voltage

1 SERIES C1005B

2 ILLUMINATION

- 2 Non-Lighted
- 3 Lighted

3 TERMINATION

- A Solder Lug
- B .250 Tab

4 CURRENT RATING (AMPERES)

07	7 amps	12	12 amps
08	8 amps	13	13 amps
09	9 amps	14	14 amps
10	10 amps	15	15 amps
11	11 amps	16	16 amps

5 CONTACT MATERIAL¹

- 1 Silver Cad Oxide (switch), Silver plated copper (breaker)

6 BEZEL LEGEND IMPRINT

- B Black Bezel with white legend
- W White Bezel with black legend
- C Gray Bezel with black legend

7 ROCKER COLOR

- R Red
- G Green
- U Blue
- T Clear

Note: RESET OFF Legend is standard.

8 LAMP VOLTAGE

- 3 Neon Lamp 125/250 VAC
- 9 Non-lighted

Notes:

- Silver cad oxide switch and breaker contacts are available as a special order. Specify 3 for selection 5

Time Delay

OVERLOAD	TRIP TIME
100%	NO TRIP
150%	TRIP IN 1 HR.
200%	5 - 35 SEC.
300%	1 - 10 SEC.
400%	.45 - 5.5 SEC.
600%	.1 - 20 SEC.

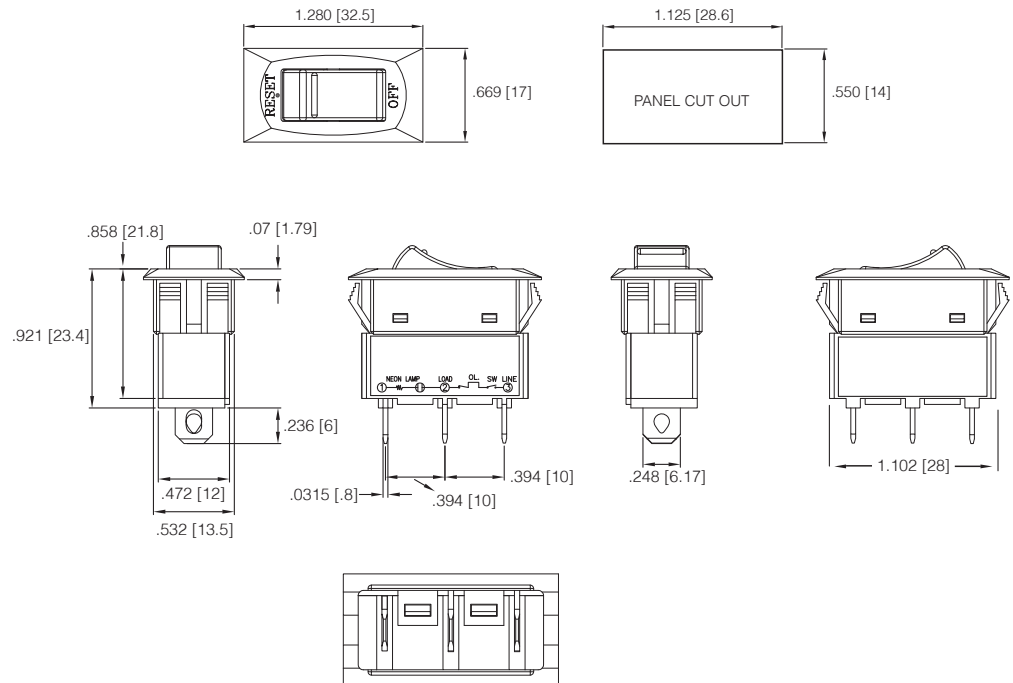
CORRECTION FACTOR¹

0°C	x .67
10°C	x .72
15°C	x .83
18°C	x .87
25°C	x 1.00
32°C	x 1.05
40°C	x 1.18
50°C	x 1.33
60°C	x 1.67

Notes:

- To adjust the breaker ratings for ambient temperature multiply the breaker rating by the factor. (ex: 5 amp rating at 0°C: 5 x .67 = 3.3 amp. Select 3 amp rating.)
2500 amps @ 32 VDC only.
AIC rating is 1000 amps for AC applications.

Dimensional Specifications: in. [mm]



¹Manufacturer reserves the right to change product specification without prior notice.



Rating:
3 to 15A, 125, 250VAC, 50VDC

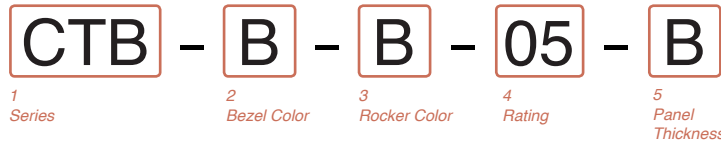
Approvals:
UL, CUL, VDE, CE

Interrupting capacity:
1000 amps

Insulation Resistance:
100M ohms

Applications:
Household Appliances
Transportation
Marine
Power Strips
Medical Equipment
Audio Visual Equipment
Power Supplies
Exercise Equipment
ROHS Compliant

Ordering Scheme



1 SERIES
CTB

2 BEZEL COLOR¹
B Black

3 ROCKER COLOR¹
B Black

4 RATING

03	3 amp	08	8 amp	14	14 amp
04	4 amp	09	9 amp	15	15 amp
05	5 amp	10	10 amp	16	16 amp
06	6 amp	12	12 amp		
07	7 amp	13	13 amp		

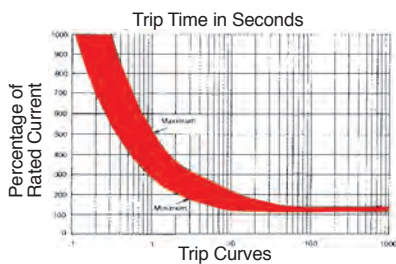
5 PANEL THICKNESS

blank fits standard thickness of .032 - .062
B fits .070 - .110 panel thickness

Notes:

1. Additional colors available. Consult factory.

Time Delay

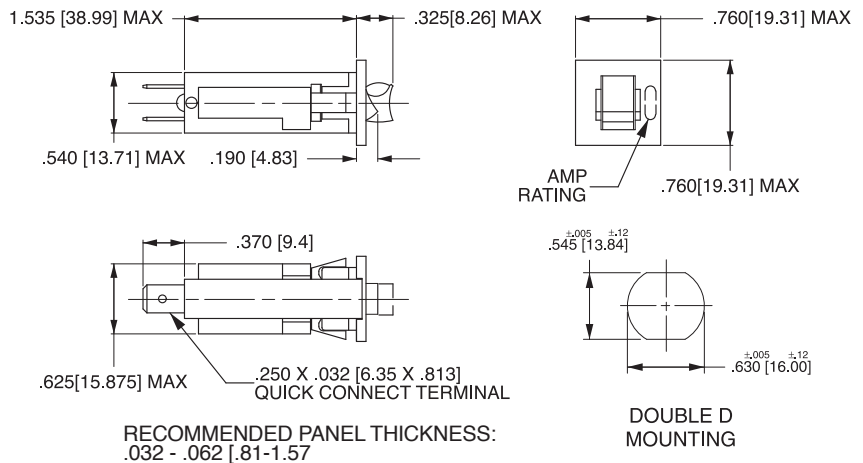


CORRECTION FACTOR ¹	
0°C	x .67
10°C	x .72
15°C	x .83
18°C	x .87
25°C	x 1.00
32°C	x 1.05
40°C	x 1.18
50°C	x 1.33
60°C	x 1.67

Notes:

1. To adjust the breaker rating for ambient temperature, multiply the breaker rating by the factor. (ex: 5A rating x .850 = 4.25A. Select 4A rating.)

Dimensional Specifications: in. [mm]



Notes:

All dimensions are in inches [millimeters]. Tolerance $\pm .005$ [.127] unless otherwise specified. Breaker must hold 100% of rated current and must trip at 150% and above, within the time limits shown in curve. Trip times specified at 25° ambient with no preloading.

*Manufacturer reserves the right to change product specification without prior notice.

CMB-Series

THERMAL CIRCUIT PROTECTORS

Rating:

3 to 20A, 125-250VAC, 32VDC

Approvals:

UL, CUL, CSA, TUV, CE
UL1500/ISO8846 for ignition protection/marine

Dielectric Strength:

2500 VAC/1 minute

Interrupting capacity:

2500 amps @ 32 VDC

Insulation Resistance:

100M ohms

Operating Temperature:

-10°C to 60°C

Voltage drop:

< 0.25 V

Applications:

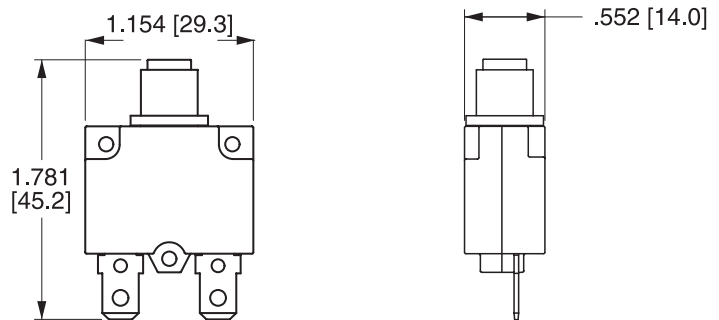
- Household Appliances
- Transportation
- Marine
- Power Strips
- Medical Equipment
- Audio Visual Equipment
- Power Supplies

ROHS Compliant



A COMPACT, SINGLE POLE, PUSH-TO-RESET FAMILY OF THERMAL CIRCUIT BREAKERS

Dimensional Specifications:



CMB - 10 3 - 11 C 3 N - B - A /10

1 Series 2 Rating 3 Voltage 4 Mounting Hole 5 Bushing Type 6 Mounting Nut 7 Indicator Plate 8 Button 9 Terminal 10 Button Marking

1 SERIES CMB **3 VOLTAGE**
 3 125-250VAC/ 32 VDC

2 RATING

03	3 amp	10	10 amp
04	4 amp	12	12 amp
05	5 amp	13	13 amp
06	6 amp	14	14 amp
07	7 amp	15	15 amp
08	8 amp	16	16 amp
		15	15 amp
		16	16 amp
		20	20 amp

4 MOUNTING HOLE

11 ¹	M11	.508 +.20 -.050 -.05 .441 [11.2]
12 ²	M12	.508 +.20 -.050 -.05 .481 [12.2]
00 ³	Snap In Style	.508 +.20 -.050 -.05 .623 [15.8]
27 ⁹	3/8" 27 UNS	.508 +.20 -.050 -.05 .544 [13.8]
28 ¹²	3/8" 27 UNS (double flatted)	.508 +.20 -.050 -.05 .382 [9.7]
		.508 +.20 -.050 -.05 .302 [7.7]

Panel Cutout Thickness: (0.6)~(2.5)mm .032~.098

5 BUSHING PLASTIC

C ⁴	Type C
D ⁴	Type D
E ⁵	Type E
G ⁸	Type G
H ⁶	Type H
K ¹³	Type K

METAL

J⁸ Type J

6 MOUNTING NUT

N	None
1	Type 1
2	Type 2
3 ¹¹	Type 3
4	Type 4
5	Type 5
6 ¹⁴	Type 6
7 ⁹	Type 7
8 ⁹	Type 8

NOTE: Type 5 is clear hex boot. Type 8 is black hex boot (available for bushings G, J & K only); Type 3 nut includes molded in "PRESS TO RESET" marking.

7 INDICATOR PLATE

N	None
A	Embossed Legend
B	Silver Printing on Black

All indicator plates are marked "Suppl. Prot. press to reset".

Notes: All dimensions are in [mm]. Tolerance ±.005 [.127] unless otherwise specified.

1	Used with bushing C or D only.	9	Available with G, J or K bushing only.
2	Used with H bushing only.	10	Amp rating must match button marking (ex: 20 will be marked on the button of CMB-203-27G3N-W-A/20)
3	Used with bushing E only.	11	Includes molded in "PRESS TO RESET" marking.
4	Used with M11 mounting hole only.	12	Available with K bushing only.
5	Used with mounting hole 00 only.	13	Available with mounting hole 28 only.
6	Used with M12 mounting hole only.	14	Thickness is 3.0 mm, .118 in.
7	All hardware available separately. Consult factory.		
8	Available with mounting hole 27 only.		

8 BUTTON

B Black R Red W White

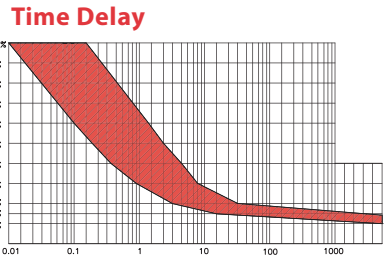
9 TERMINAL

A	Type A	F	Type F
B	Type B	G	Type G
C	Type C	H	Type H
D	Type D	J	Type J
E	Type E		

F,G,H,J TERMINALS ARE 8-32 UNC

10 BUTTON MARKING (IF BLANK, NO MARKING.)¹⁰ Button Marking Orientation: line load

03	3 amp	05	5 amp	07	7 amp	10	10 amp	13	13 amp	15	15 amp	20	20 amp
04	4 amp	06	6 amp	08	8 amp	12	12 amp	14	14 amp	16	16 amp		



DERATING FACTOR	
-10°C	X1.70
-5°C	X1.60
0°C	X1.50
5°C	X1.40
10°C	X1.30
15°C	X1.20
20°C	X1.10
25°C	X1.00

DERATING FACTOR	
30°C	X0.90
35°C	X0.85
40°C	X0.80
45°C	X0.75
50°C	X0.70
55°C	X0.65
60°C	X0.60

OVERLOAD	TRIP TIME
100 %	NO TRIP
150 %	TRIP IN 1 HR
200 %	4.0~40 sec
300 %	0.9~8.0 sec
400 %	0.42~5.0 sec
500 %	0.25~3.0 sec
600 %	0.1~1.8 sec

Notes:

Breaker must hold 100% of rated current and must trip at 150% and above, within the time limits shown in curve. Trip times specified at 25° ambient with no preloading.

1 To adjust the breaker rating for ambient temperature multiply the breaker rating by the factor. (ex: 5 amp rating at 0°C: 5 x .67 = 3.3 amp. Select 3 amp rating.)

*Manufacturer reserves the right to change product specification without prior notice.

CLB-Series

THERMAL CIRCUIT PROTECTORS

Rating:

3 to 60A, 125-250VAC, 32VDC

Approvals:

UL, CUL, CSA, TUV, CE

UL1500/ISO8846 for ignition protection/marine

Dielectric Strength:

2500 VAC/1 minute

Interrupting capacity:

2500 amps @ 32 VDC

Insulation Resistance:

100M ohms

Operating Temperature:

-10°C to 60°C

Voltage drop:

< 0.25 V

Applications:

Household Appliances

Transportation

Marine

Power Strips

Medical Equipment

Audio Visual Equipment

Power Supplies

ROHS Compliant

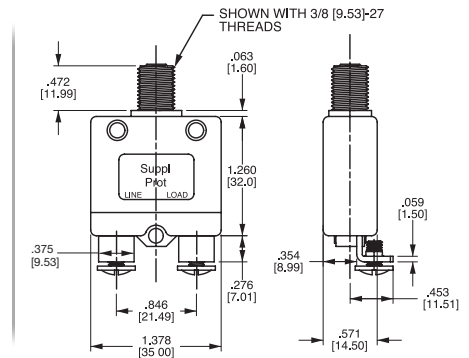
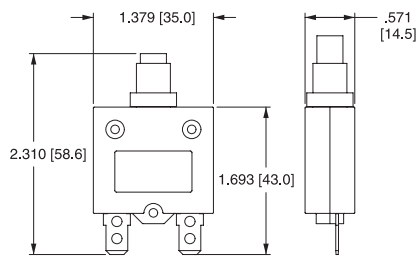


A COMPACT, SINGLE POLE, PUSH-TO-RESET FAMILY OF THERMAL CIRCUIT BREAKERS

Dimensional Specifications:

3-40A Construction

50 & 60A Construction



CLB - 10 3 - 12 C 3 N - B - A / 10

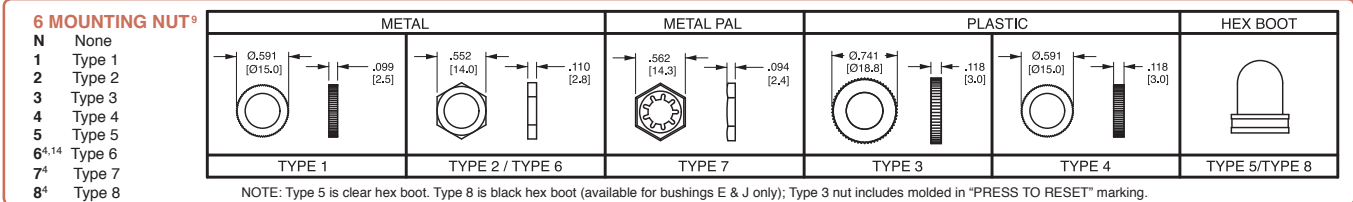
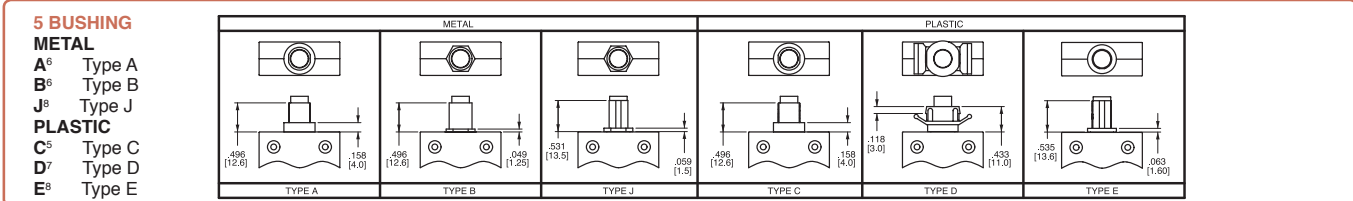
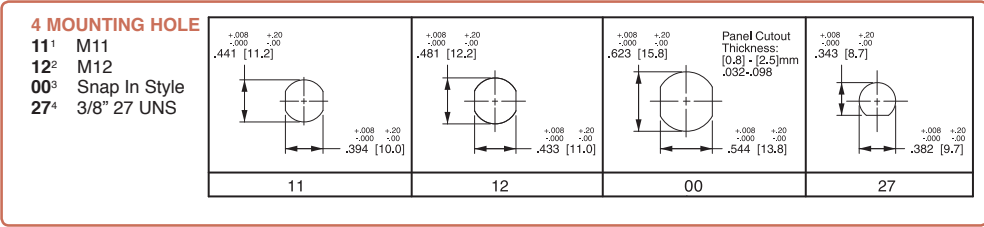
1 Series 2 Rating 3 Voltage 4 Mounting Hole 5 Bushing Type 6 Mounting Nut 7 Indicator Plate 8 Button 9 Terminal 10 Button Marking

1 SERIES
CLB

3 VOLTAGE
3 125-250VAC/ 32 VDC

2 RATING

03	3 amp	15	15 amp
04	4 amp	18	18 amp
05	5 amp	20	20 amp
06	6 amp	25	25 amp
07	7 amp	30	30 amp
08	8 amp	35	35 amp
10	10 amp	40	40 amp
12	12 amp	50 ¹²	50 amp
13	13 amp	60 ¹²	60 amp



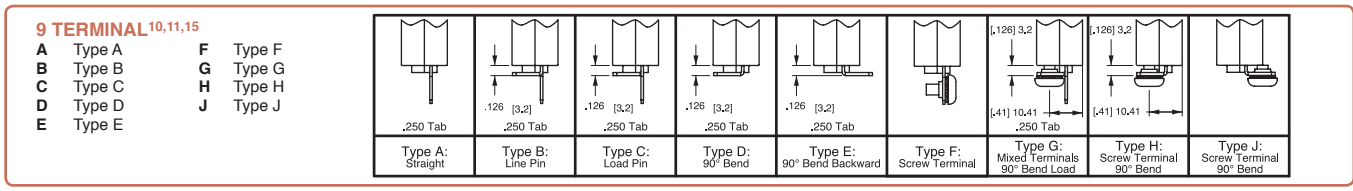
7 INDICATOR PLATE⁹

N None
A Embossed
B Silver Printing on Black

All indicator plates are marked "Suppl. Prot. press to reset".

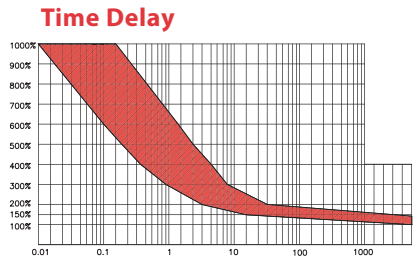
Notes: All dimensions are in.[mm]. Tolerance ±0.05 [1.27] unless otherwise specified.

1	Used with bushing A or B only.	10	> 35 amp ratings must use solder joint to connect wire to non-screw type terminals.
2	Used with bushing C only.	11	Terminals are .040 [1.0] thickness for ratings > 35 amps.
3	Used with bushing D only.	12	.315 [.8] thickness is for ratings < 35 amps. (select type F, G, H, J only.) UL, CUL only.
4	Used with bushing E & J only.	13	Amp rating must match button marking (ex: "20" will be marked on the button of the breaker)
5	Used with M12 mounting hole only.	14	Thickness is 3.0 mm, .118 in.
6	Used with M11 mounting hole only.	15	Screw terminals are 8-32 UNC
7	Used with mounting hole 00 only.		
8	Used with 27 mounting hole only.		
9	All hardware available separately. Consult factory.		



10 BUTTON MARKING (IF BLANK, NO MARKING.)¹³ Button Marking Orientation: line load

03	3 amp	06	6 amp	10	10 amp	15	15 amp	25	25 amp	40	40 amp
04	4 amp	07	7 amp	12	12 amp	18	18 amp	30	30 amp	50	50 amp
05	5 amp	08	8 amp	13	13 amp	20	20 amp	35	35 amp	60	60 amp



DERATING FACTOR	
-10°C	X1.70
-5°C	X1.60
0°C	X1.50
5°C	X1.40
10°C	X1.30
15°C	X1.20
20°C	X1.10
25°C	X1.00

DERATING FACTOR	
30°C	X0.90
35°C	X0.85
40°C	X0.80
45°C	X0.75
50°C	X0.70
55°C	X0.65
60°C	X0.60

OVERLOAD	TRIP TIME
100 %	NO TRIP
150 %	TRIP IN 1 HR
200 %	4.0~40 sec
300 %	0.9~8.0 sec
400 %	0.42~5.0 sec
500 %	0.25~3.0 sec
600 %	0.1~1.8 sec

Notes:
Breaker must hold 100% of rated current and must trip at 150% and above, within the time limits shown in curve. Trip times specified at 25° ambient with no preloading.
1 To adjust the breaker rating for ambient temperature multiply the breaker rating by the factor. (ex: 5 amp rating at 0°C: 5 x .67 = 3.3 amp. Select 3 amp rating.)

CMBA/CLBA-Series

Auto-Reset Thermal Circuit Protectors

The CMBA/CLBA-Series feature automatic cycling and resetting thermal protection capabilities with the same performance as its traditional push-to-reset counterparts.

Ratings:

CMBA: 3 to 20A, 125-250VAC, 32VDC

CLBA: 3 to 40A, 125-250VAC, 32VDC

Approvals:

UL, CUL, TUV

Dielectric Strength:

2500 VAC/1 minute

Interrupting Capacity:

2500 amps @ 32 VDC

Insulation Resistance:

100M ohms

Operating Temperature:

-10°C to 60°C

Voltage Drop:

< 0.25 V

Applications:

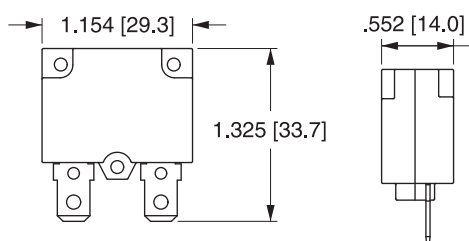
- Household Appliances
- Transportation
- Power Strips
- Medical Equipment
- Audio Visual Equipment
- Power Supplies

ROHS Compliant

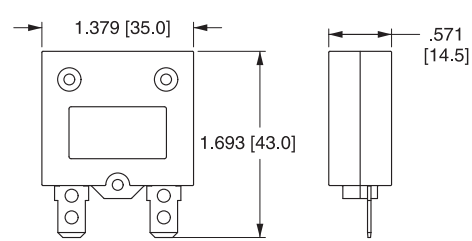


Dimensional Specifications

CMBA Construction



CLBA Construction



CMBA - 10 3 - NN F N N - B - A

1 Series 2 Rating 3 Voltage 4 Mounting 5 Bushing 6 Mounting Nut 7 Indicator Plate 8 Button Color 9 Terminal 10 Plug Marking

1 SERIES
CMBA

7 INDICATOR PLATE
N N/A

2 RATING²

03	3 amp	10	10 amp
04	4 amp	12	12 amp
05	5 amp	13	13 amp
06	6 amp	15	15 amp
07	7 amp	18	18 amp
08	8 amp	20	20 amp

8 BUTTON COLOR
B Flush Black

3 VOLTAGE
3 125-250VAC/ 32 VDC

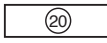
9 TERMINAL
A Type A



.250 Tab

4 MOUNTING
NN Plug In

10 BUTTON MARKING¹ (IF BLANK, NO MARKING)

Plug Marking Orientation: line  load

03	3 amp	07	7 amp	13	13 amp
04	4 amp	08	8 amp	15	15 amp
05	5 amp	10	10 amp	18	18 amp
06	6 amp	12	12 amp	20	20 amp

5 BUSHING
F None

6 MOUNTING NUT
N N/A

CLBA - 10 3 - NN F N N - B - A

1 Series 2 Rating 3 Voltage 4 Mounting 5 Bushing 6 Mounting Nut 7 Indicator Plate 8 Button Color 9 Terminal 10 Plug Marking

1 SERIES
CLBA

7 INDICATOR PLATE
N N/A

2 RATING²

03	3 amp	13	13 amp
04	4 amp	15	15 amp
05	5 amp	18	18 amp
06	6 amp	20	20 amp
07	7 amp	25	25 amp
08	8 amp	30	30 amp
10	10 amp	35	35 amp
12	12 amp	40	40 amp

8 BUTTON COLOR
B Flush Black

3 VOLTAGE
3 125-250VAC/ 32 VDC

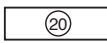
9 TERMINAL
A Type A



.250 Tab

4 MOUNTING
NN Plug In

10 BUTTON MARKING¹ (IF BLANK, NO MARKING)

Plug Marking Orientation: line  load

03	3 amp	07	7 amp	13	13 amp	25	25 amp
04	4 amp	08	8 amp	15	15 amp	30	30 amp
05	5 amp	10	10 amp	18	18 amp	35	35 amp
06	6 amp	12	12 amp	20	20 amp	40	40 amp

5 BUSHING
F None

6 MOUNTING NUT
N N/A

Notes:
1 Amp rating must match plug marking. (ex: "20" will be marked on the plug of the breaker)
No marking is standard.
2 See CMB/CLB graph for time delay information.

There are several catalogs available featuring complete details on all Carling Technologies products. Below is a complete list of catalogs available on print and online as eCatalogs and downloadable PDF files. Please visit our website at **carlingtech.com** or scan the QR codes below for complete details.

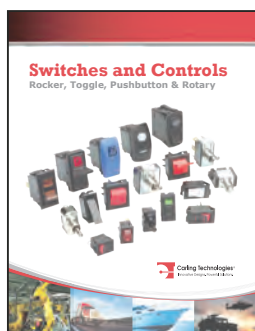


Carlingtech.com



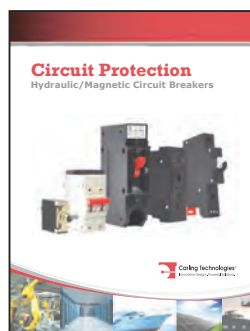
Visit us online for complete products and company information.

Switches & Controls



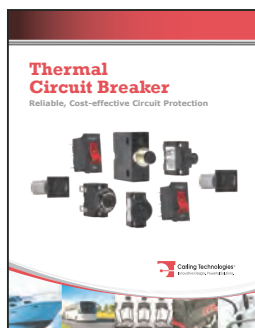
Features complete line and ordering details of Switches and Controls products including Rocker, Toggle, Pushbutton, and Rotary style switches.

Hydraulic Magnetic



Features complete line and ordering details of all hydraulic/magnetic circuit breakers.

Thermal's



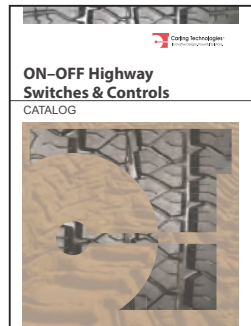
Features complete line and ordering details of all thermal circuit breakers.

GFCI's



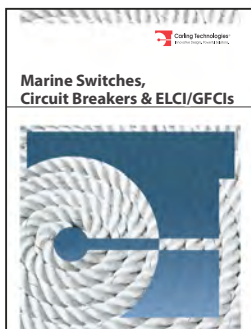
Features complete line and ordering details of all GFCIs/ELCIs.

On-Off Highway



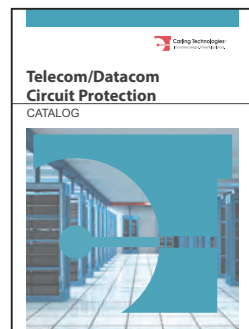
Features specific transportation products such as switches, controls and custom solutions.

Marine



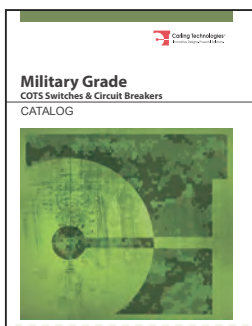
Features all marine application products such as switches, ELCIs, thermal and hydraulic/magnetic circuit breakers.

Telecom/Datacom



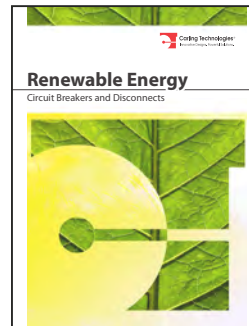
Features complete line of hydraulic/magnetic circuit protection products specific for telecom and datacom systems.

Military



Features all COTS (Commercial-Off-The-Shelf) Military grade switches and circuit breakers.

Renewable Energy



Features a complete line of circuit protection and disconnect products for photovoltaic energy systems.



Carling Technologies®

Innovative Designs. Powerful Solutions.

Worldwide Headquarters

Carling Technologies, Inc.

60 Johnson Avenue • Plainville, CT 06062-1177

Phone: (860) 793-9281 • Fax: (860) 793-9231

Email: sales@carlingtech.com • www.carlingtech.com

East Region Sales Office, CT • ersm@carlingtech.com

Midwest Region Sales Office, IL • mrsm@carlingtech.com

West Region Sales Office, CA • wrsm@carlingtech.com

Asia-Pacific Headquarters

Carling Technologies, Asia-Pacific Ltd.,

Kowloon, Hong Kong

Int + 852-2737-2277 • Fax: Int + 852-2736-9332

Email: sales@carlingtech.com.hk

Shenzhen, China • shenzhen@carlingtech.com

Shanghai, China • shanghai@carlingtech.com

Pune, India • india@carlingtech.com

Kaohsiung, Taiwan • taiwan@carlingtech.com

Yokohama, Japan • japan@carlingtech.com

Europe / Middle East / Africa Headquarters

Carling Technologies LTD

4 Airport Business Park, Exeter Airport,

Clyst Honiton, Exeter, Devon, EX5 2UL, UK

Int + 44 1392-364422 • Fax: Int + 44 1392-364477

Email: ltd.sales@carlingtech.com

GmbH, Germany • gmbh@carlingtech.com

SAS, France • sas@carlingtech.com