

Specifications

Pressure:

Vacuum to 15 psi, 1.0 bar

Temperature:

32°F to 120°F (0°C to 49°C)

Materials:

Main Components:

Glass-filled polypropylene, PEEK®, polypropylene

Thumb latch: PEEK®

Springs: 316 stainless steel

O-rings: EPDM

Color: Gray

Tubing Sizes:

Microbore to 1/8" ID (Microbore to 3.2mm)

Spillage: 0.02 cc per disconnect rated @ 15 psi

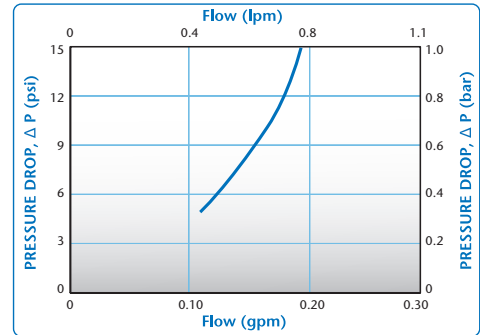
Inclusion: 0.01 cc per connect

WARNING: Pressure, temperature, chemicals, and operating environment can affect the performance of couplings. It is the customer's responsibility to test the suitability of CPC's products in their own application conditions.

NS1 SERIES CONNECTOR

NS1 Series couplings compact design is packed full of features including non-spill shutoff valves that ensure drip-free disconnects, and eliminate the need to purge air from the system. The smallest plastic non-spill coupling on the market, NS1 is perfect for applications with tubing from 1/8-inch and smaller. Its rotating design allows tubing to move freely without kinks. Ideal for applications that need to be connected and disconnected often, the ergonomic, user-friendly interface enables a secure, reliable connect and disconnect.

NS1 Water Flow



This graph is intended to give you a general idea of the performance capabilities of the product line.

FEATURES

Non-spill design

Ultra low air inclusion

Intuitive interface

Rotating design

Chemically resistant materials

BENEFITS

Closed system for drip-free disconnect

Minimizes contaminants, eliminates the need to purge air bubbles from the system

User friendly ergonomic design enables a secure, reliable connection

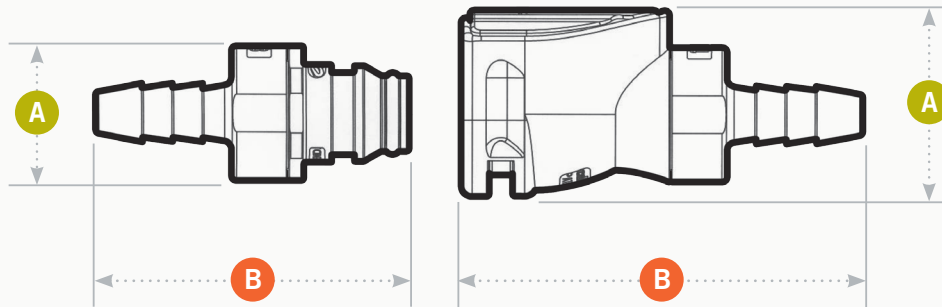
Allows tubing to move freely or relax without kinking or leaking

Reliable strength and performance in a range of applications

Visit us at cpcworldwide.com or call 800-444-2747 to get a free catalog or to find your local distributor.



Product Dimensions



A = HEIGHT/DIAMETER
B = TOTAL LENGTH



For 1/4-28
nuts and ferrules, visit
cpcworldwide.com

Coupling Bodies POLYPROPYLENE



PART NO.	DESCRIPTION	TUBING SIZE	METRIC EQ.	A	B
NS1D170212	IN-LINE HOSE BARB, SHUTOFF	1/8" ID	3.2 MM ID	0.61	1.33
NS1D19042812	IN-LINE WITH A 1/4-28 FLAT BOTTOM PORT, SHUTOFF	1/8" OD OR SMALLER*	3.2 MM OD OR SMALLER*	0.61	1.21
NS1D10042812	IN-LINE WITH A 1/4-28 MALE THREAD, SHUTOFF	—	—	0.61	1.28

Coupling Inserts POLYPROPYLENE



PART NO.	DESCRIPTION	TUBING SIZE	METRIC EQ.	A	B
NS1D220212	IN-LINE HOSE BARB, SHUTOFF	1/8" ID	3.2 MM ID	0.44	1.04
NS1D26042812	IN-LINE WITH A 1/4-28 FLAT BOTTOM PORT, SHUTOFF	1/8" OD OR SMALLER*	3.2 MM OD OR SMALLER*	0.44	0.92
NS1D24042812	IN-LINE WITH A 1/4-28 MALE THREAD, SHUTOFF	—	—	0.49	0.99

*Tubing size dependent on nut and ferrule used with 1/4-28 port.



COLDER PRODUCTS COMPANY
U.S.A.

PHONE +1 651-645-0091
FAX +1 651-645-5404
TOLL FREE 800-444-2474

COLDER PRODUCTS COMPANY GMBH
Germany

PHONE +49-6134-2878-0
FAX +49-6134-287828

COLDER PRODUCTS COMPANY LIMITED
Hong Kong

PHONE +852-2987-5272
FAX +852-2987-2509

Smart fluid handling to take you forward, faster.

cpcworldwide.com/ContactUs

WARRANTY: All sales are subject to Colder Products Company's limited express warranty set forth in the CPC catalog. Contact your local distributor or CPC Customer Service for warranty provisions.

Warning: Due to the wide variety of possible fluid media and operating conditions, unintended consequences may result from the use of this product, all of which are beyond the control of Colder. It is the user's responsibility to carefully determine and test for compatibility for use with their application. All such risks shall be assumed by the buyer.

COPYRIGHT © 2014 BY COLDER PRODUCTS COMPANY. COLDER PRODUCTS COMPANY, COLDER PRODUCTS AND CPC ARE REGISTERED TRADEMARKS WITH THE US PATENT & TRADEMARK OFFICE.

SPEC1033 6/14 GLS/3000 PRINTED IN THE U.S.A.