

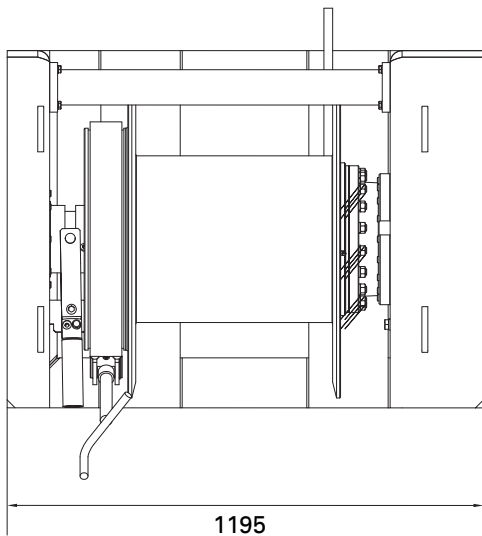
# FACTSHEET - SD7 ST

## Characteristics stackable hydraulic single drum mooring winch

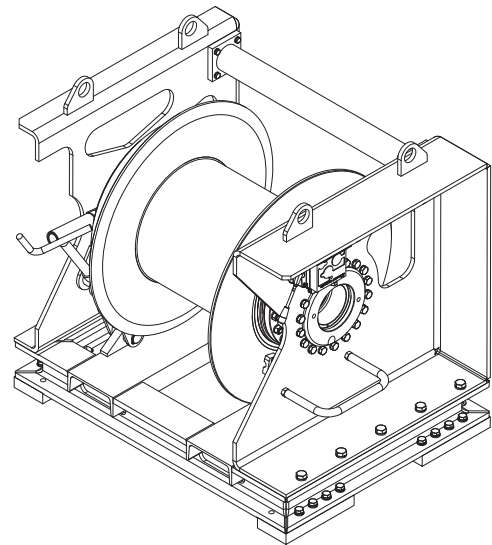
<b>Pulling force at first layer</b>	7.5 ton
<b>Holding force at first layer</b>	11.5 ton
<b>Drum capacity</b>	250 mtr - 22 mm steel wire
<b>Speed at first layer</b>	10 mtr/min
<b>Brake</b>	manual operated
<b>Clutch</b>	manual operated
<b>Weight</b>	1650 kg
<b>Transport dimensions</b>	1195 x 1020 x 1000 mm
<b>Gearbox</b>	RR (planetary)
<b>Working pressure</b>	157 bar
<b>Flow max.</b>	45 ltr/min



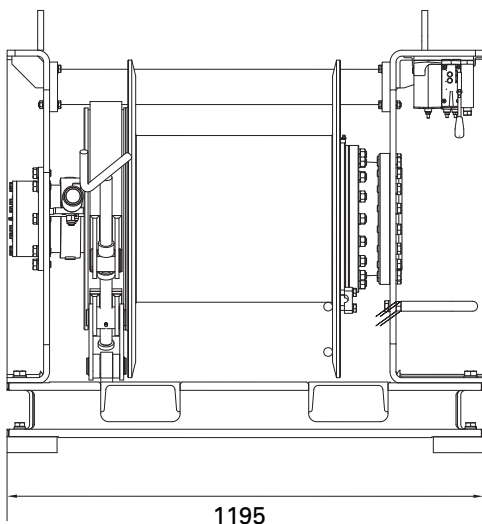
Topview



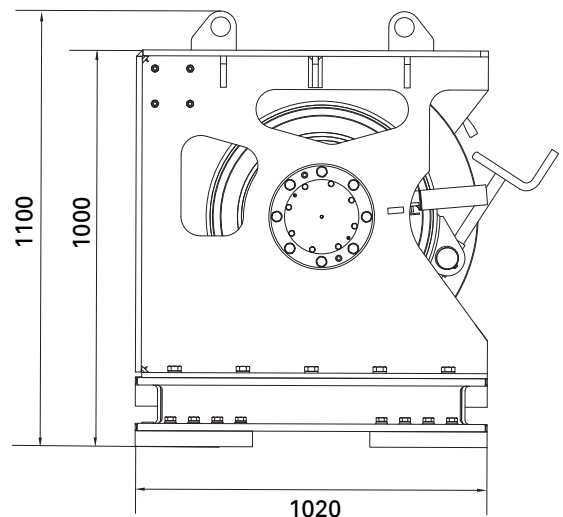
Frontview



Sideview



1195



1020