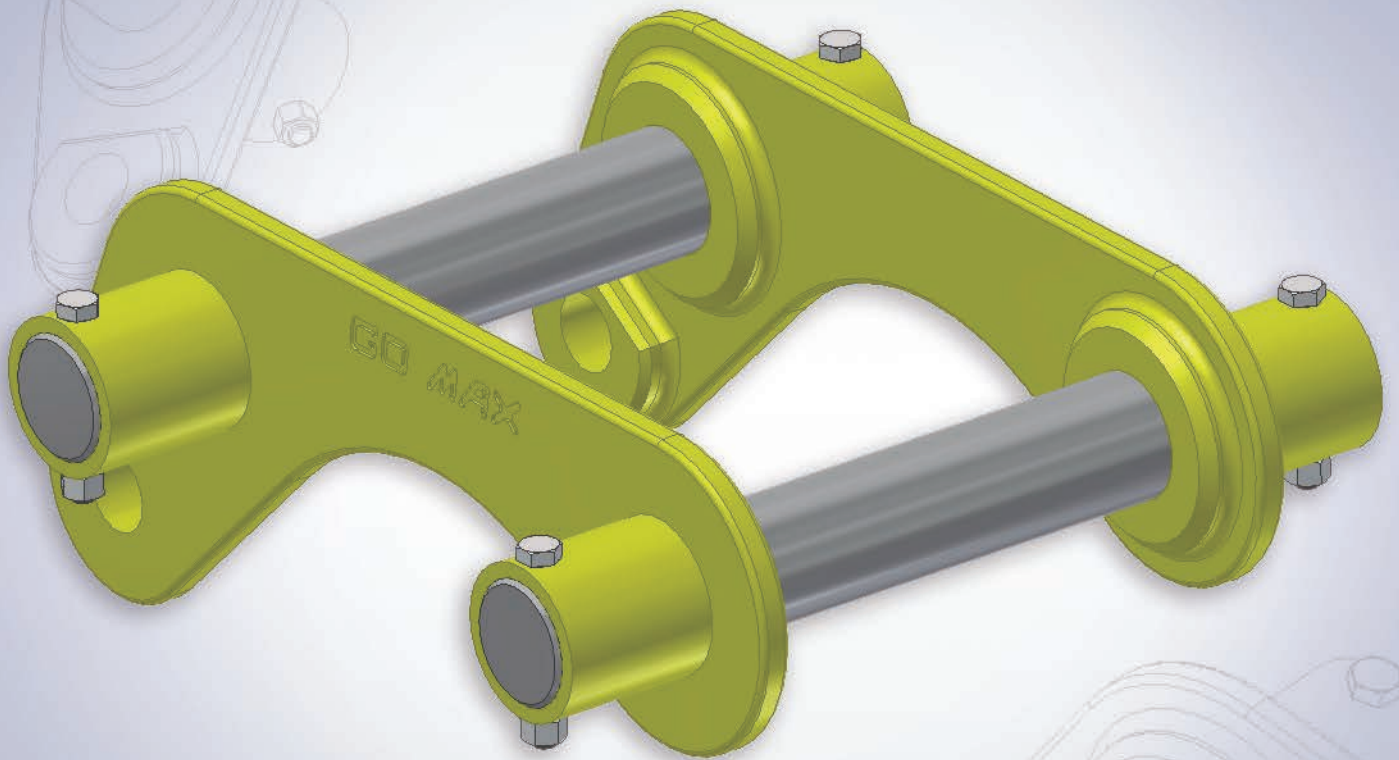


XCENTRIC®



GO MAX
Quick Coupler

www.xcentricripper.com

GO MAX

The **GO MAX** quick coupler is a system that brings together all the advantages to be the most efficient coupler on the market.

It was designed with the following factors in mind:

1. **Minimum impact on the original kinematics.**
2. **Interchangeable with equipment** from different brands and models of excavator.
3. **Improved design** to achieve:
 - a. The smallest size adaptable to various brands.
 - b. The appropriate size to offer a reliable, strong structure.
 - c. Minimum additional weight to the machine.
4. **Ease of fitting.**
5. **Minimum maintenance.**

By taking these factors into consideration we have produced a coupling that obtains the **highest standards of use on the market** and, more especially, **total user satisfaction**.

Standard classification

The **GO MAX** models are classified in various standards that cover practically every brand and model on the market.

GO MAX	Machine weight range	Maximum pin diameter	Maximum beam width
ST 50	7-11 Tn. (backhoe)	60 mm.	200 mm.
ST 65	10-15 Tn.	65 mm.	280 mm.
ST 80	15-25 Tn.	80 mm.	350 mm.
ST 90	24-30 Tn.	90 mm.	410 mm.
ST 100	28-36 Tn.	100 mm.	440 mm.
ST GENERIC	> 36 Tn.	-	-

Features



Lateral view of **GO MAX** coupler assembled on bucket.

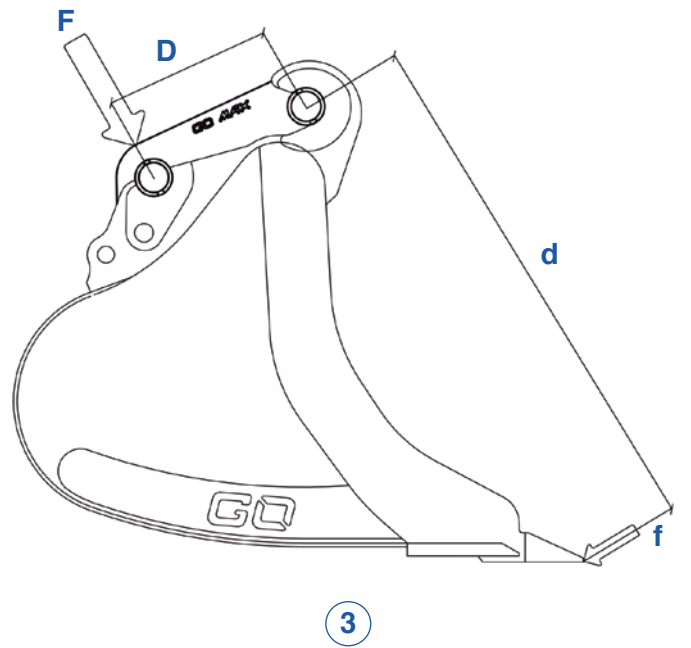
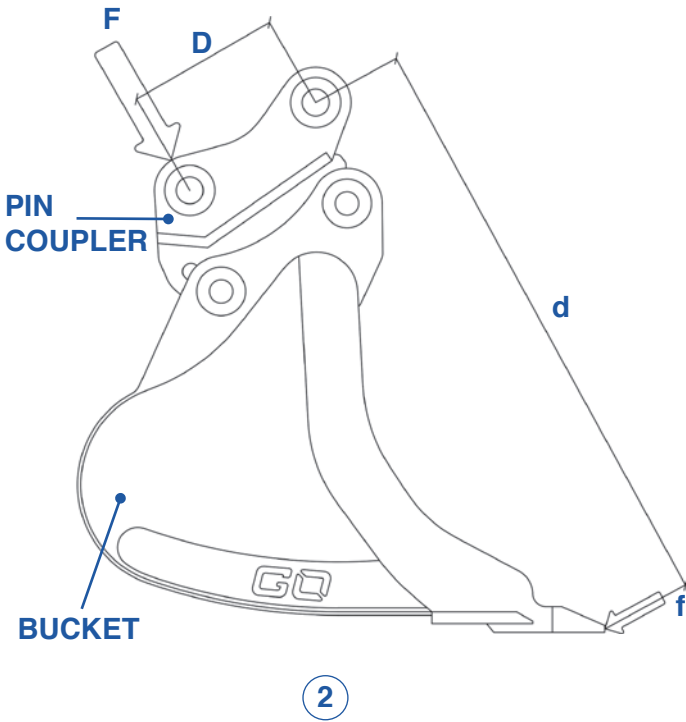
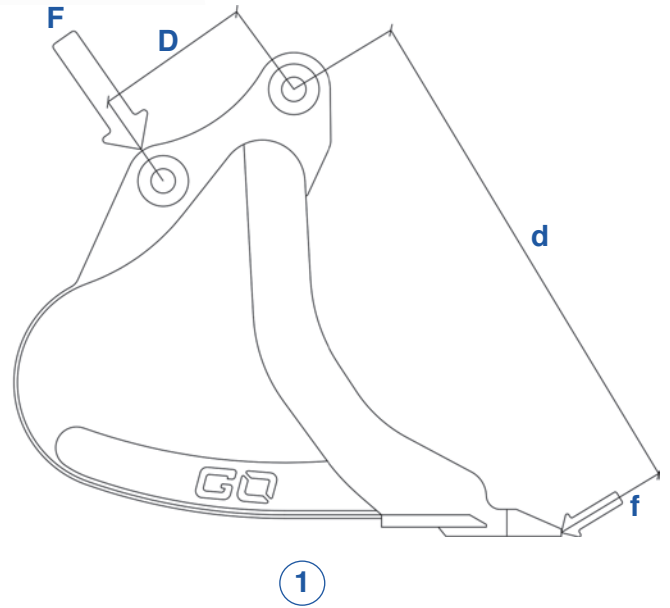
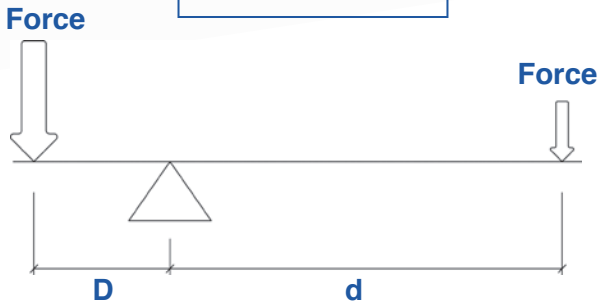
- Minimal modification on excavator kinematics. Breakout forces are the same as in a direct pins assembling bucket.
- Minimal weight increased, around +1% of bucket weight. **GO MAX** is the lightest quick coupler in the market.
- Simple and strong construction. Changes of attachment are very fast with this quick coupler, without moving parts, the strong structure does not require maintenance.
- Safety First. No cylinders, springs, levers, etc. are used in this quick coupler.
- Most excavator brands and models can interchange the buckets/attachments without any modification.
- The most popular quick coupler in Spain for 12 years.



Principal Advantages Comparison

Breakout Force

$$F \times D = f \times d$$



EXCAVATOR 35 Tn. class	F (Tn)	D (m.m.)	d (m.m.)	f breakout force (Tn)	Breakout force reduction %
① DIRECT PIN	67,3	550	1610	23	ORIGINAL
② PIN COUPLER	67,3	550	2000	18,5	-20%
③ GO MAX	67,3	550	1610	23	0%

Operational weight



Direct Pin Assembling (without coupler)

①



Pin Coupler Assembling

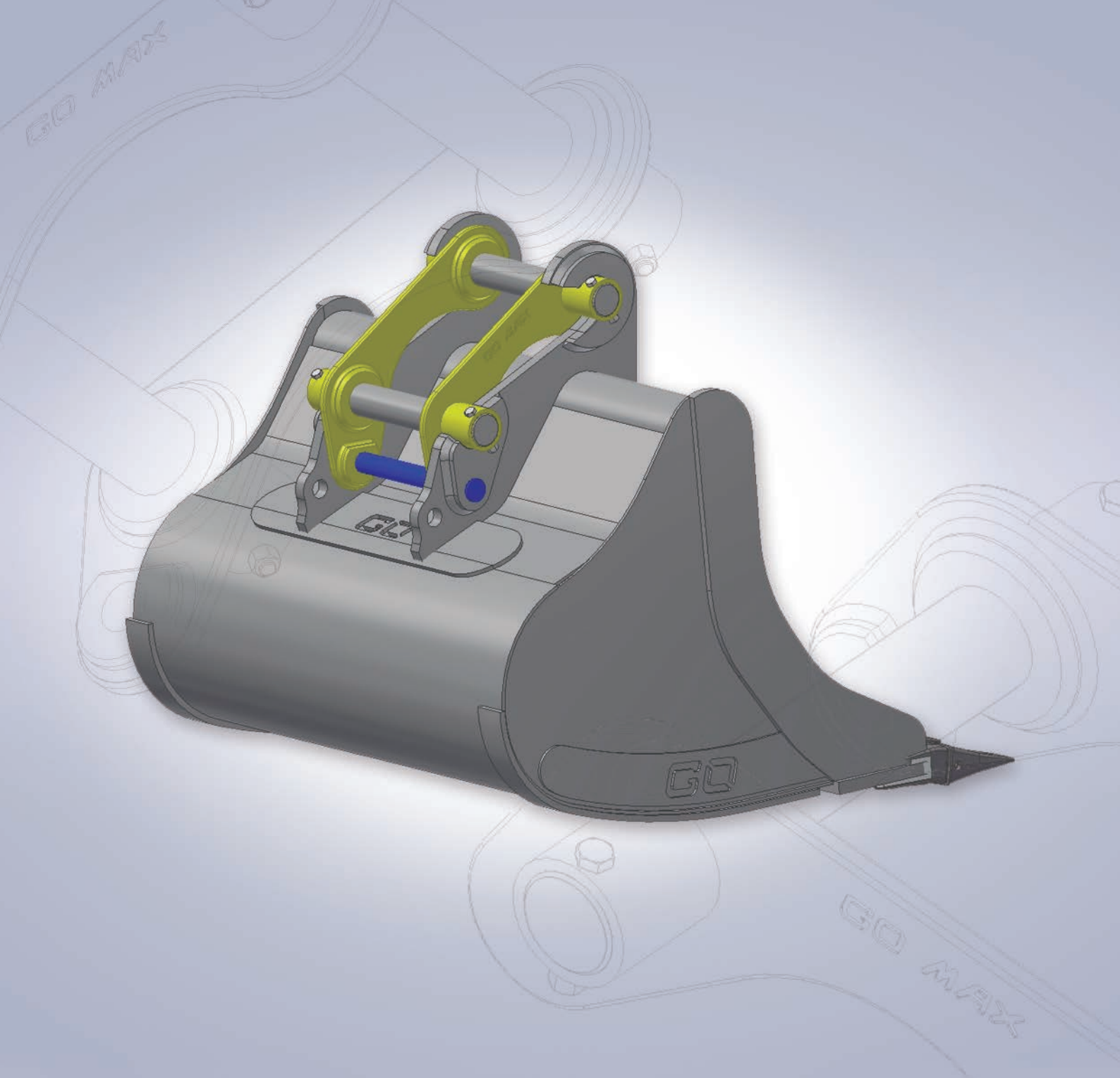
②



GO MAX Assembling

③

EXCAVATOR 35 Tn. class	Bucket weight (kg)	Coupling system weight (kg)	Capacity (m ³)	x Spec. Material weight (Tn/ m ³)	Total operational weight (kg)	Increasing operational weight %
① DIRECT PIN	1515	0	2	1,8	5115	0%
② PIN COUPLER	1515	674	2	1,8	5789	+13%
③ GO MAX	1515	50	2	1,8	5165	+1%



XCENTRIC[®]

Arriurdina, 15
Pol. Ind. Júndiz
01015 Vitoria-Gasteiz (Spain)
Tel.: +34 945 290 555
Fax: +34 945 290 592
info@xrint.es

www.xcentricripper.com