

E-BIKE MOTOR

CHINA ELECTRIC MOTOR ASSOCIATION
GUANGDONG M&C ELECTRIC POWER CO.,LTD

BIKES MOTOR

Applied To Electric Bike & Electric Motorcycle



128 SERIES BRUSHLESS BICYCLE MOTORS

Applied To Electric Bike & electric motorcycle

Trait: Small size with simple structure, light weight and long life, super power, high efficiency, beautiful, high speed motor with gear, drive is free, better for Li-battery e-bike.

Voltage: 24V-48V
 Power: 50W-500W
 Specification: 8"-28"

Efficiency: $\geq 80\%$
 Weight: 3kg
 Wheel: A356 AL

Magnet: 38SH
 Wire: QZ-3/155
 Ironcore: Dw470



MB01
for back-wheel



MB02
for back-wheel



MB03
for back-wheel



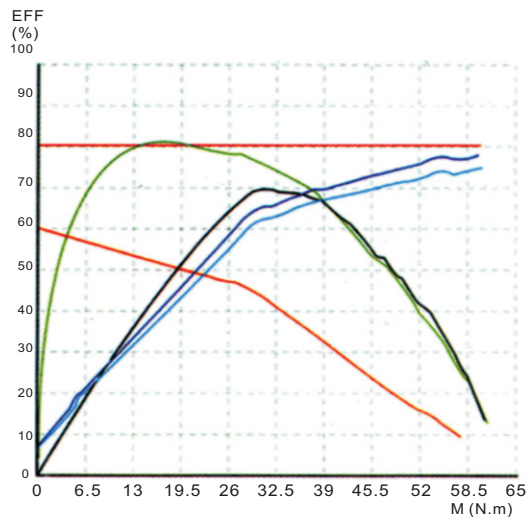
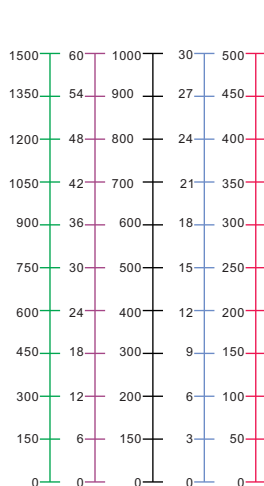
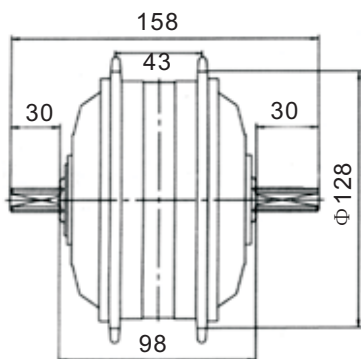
MF01
for front-wheel



MF02
for front-wheel



MF03
for front-wheel



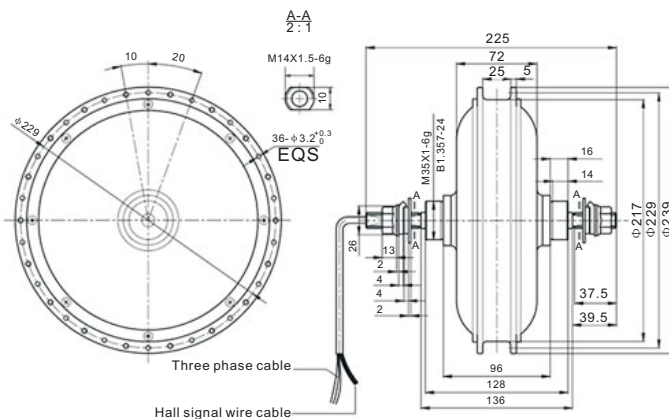
Above data is for your reference, we provide customized solution.

R198 SERIES BIKES MOTOR

Applied To Electric Bike & Electric Motorcycle



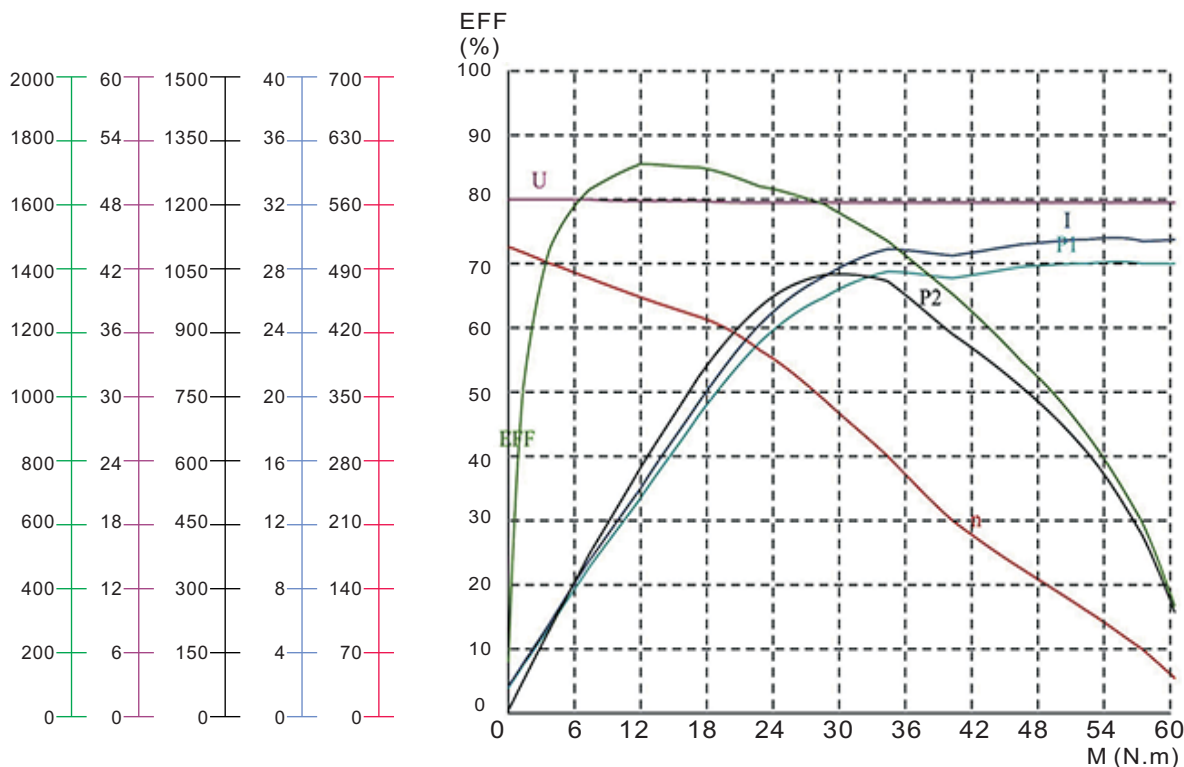
STANDARD WHEEL SIZE:
16'x2.5, 16'x2.125 or 18'x2.125
optional with/without drum brake



TECHNICAL DATA

Rated Voltage (V)	Rated Power (W)	Continuous rated speed (rpm)	Peak torque (N.m)	Weight of motor (kg)	Efficiency (%)
36	250	240-500	40	5.7	82
48	350-500	240-500	50	5.7	85
60	350-500	240-500	50	5.7	85

Above data is for your reference, we provide customized solution.



M&C[®]
ELECTRIC POWER

CHINA ELECTRIC MOTOR ASSOCIATION
GUANGDONG M&C ELECTRIC POWER CO.,LTD

Add:3/f Dizhi Building No.739 Dongfeng Rd.E Guangzhou China

Tel.: 0086-20-89660216

Fax.: 0086-20-89660219

P.C.: 510080

E-mail: mc@china-electricmotor.com

Website: <http://www.china-electricmotor.com>