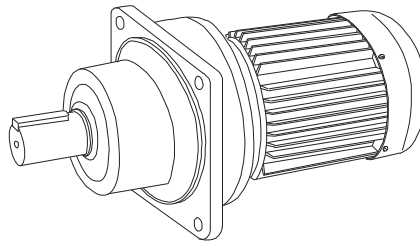


Catalogue Cycloidal
Pin Whell Gear Motor

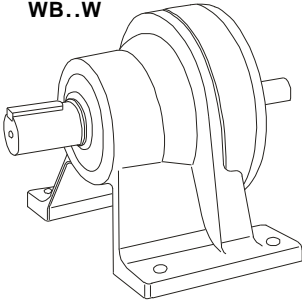
产品外形

Products Figure

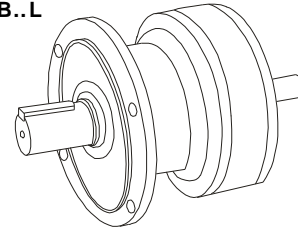
WB..L1D



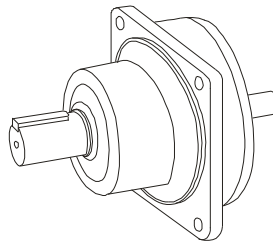
WB..W



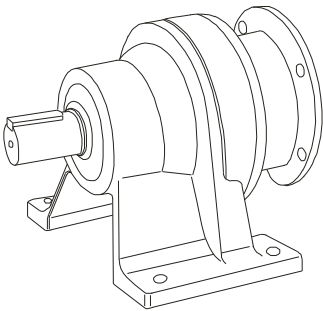
WB..L



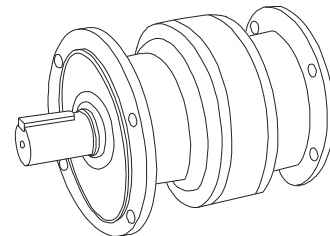
WB..L1



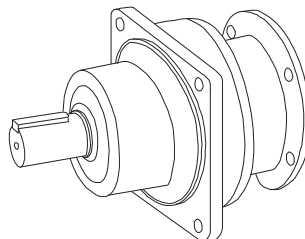
WB..W..B5



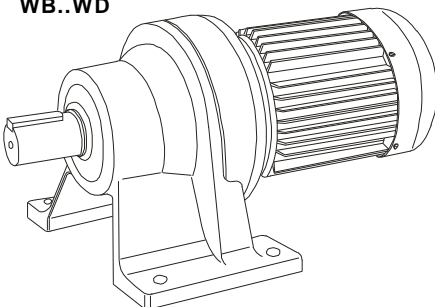
WB..L..B5



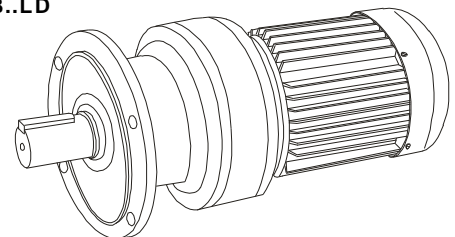
WB..L..B5



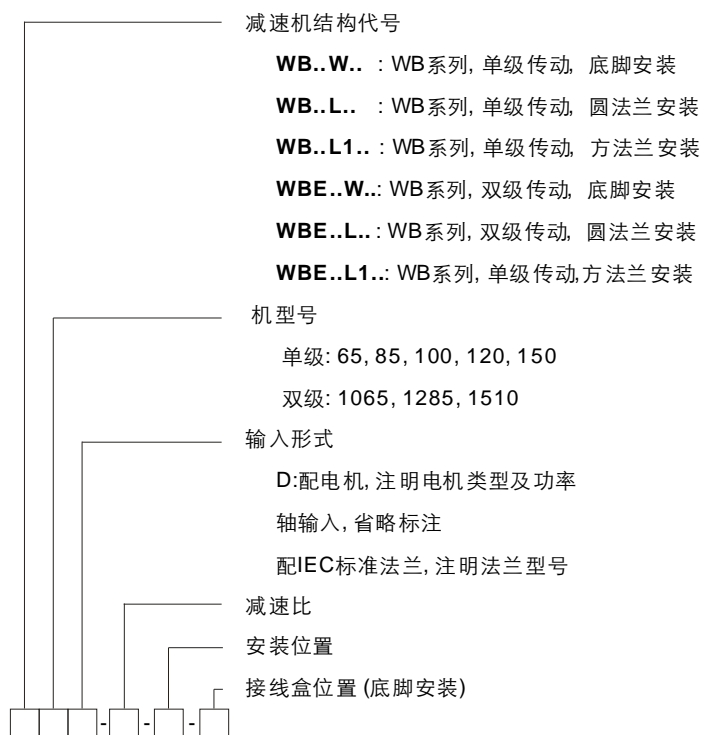
WB..WD



WB..LD



型号标记



标记示例

- A WB85-WD-Y5624-35-M1-0
WB系列,机型号85, 单级传动,底脚安装,电机Y5624(90W, 普通三相异步电机), 减速比35, 安装位置M1,接线盒位置0
- B WB120-LD-YVF71M2-4-43-M1
WB系列,机型号120, 单级传动,法兰安装,电机YVF71M2-4(370W 变频电机),减速比43, 安装位置M1
- C WB120-WD-YEJ71M2-4-43-M1-0
WB系列,机型号120, 单级传动,底脚安装,电机YEJ71M2-4(370W 制动电机),减速比43, 安装位置M1
- D WB120-L-71B5-43-M1
WB系列,机型号120, 单级传动,底脚安装,带电机输入法兰, 减速比43, 安装位置M1
- E WB120-W-43-M1
WB系列,机型号120, 单级传动,底脚安装,带输入轴, 减速比43, 安装位置M1

Designation

- gear unit type
- WB..W..** :WB series, single stage, foot-mounted
 - WB..L..** :WB series, single stage, orbicular flange-mounted
 - WB..L1..** :WB series, single stage, square flange-mounted
 - WBE..W..** :WB series, double stage, foot-mounted
 - WBE..L..** :WB series, double stage, orbicular flange-mounted
 - WBE..L1..** :WB series, double stage, square flange-mounted
- gear unit size
- single stage:65, 85, 100, 120, 150
 - double stage:1065, 1285, 1510
- input structure
- D:connect with motor, indicate motor type and power with input shaft, omit sign
 - connect with IEC flange, indicate flange frame
- transmission ratio
- mounting position
- terminal box position for foot-mounted

Sign Example

- A WB85-WD-Y5624-35-M1-0
WB series, size 85, single stage transmission, foot mounted, with motor Y5624(90W,three-phase asynchronous electric motor), ratio 35, mounting position M1, terminal box position 0
- B WB120-LD-YVF71M2-4-43-M1
WB series, size 120, single stage transmission, flange mounted, with motor YVF71M2-4(370W,three-phase variable-frequency motor), ratio 43, mounting position M1
- C WB120-WD-YEJ71M2-4-43-M1-0
WB series, size 120, single stage transmission, foot mounted, with motor YEJ71M2-4(370W, three-phase Asynchronous Brake Motor), ratio 43, mounting position M1, terminal box position 0
- D WB120-L-71B5-43-M1
WB series, size 120, single stage transmission, flange mounted, with input flange IEC71B5, ratio 43, mounting position M1,
- E WB120-W-43-M1
WB series, size 120, single stage transmission, foot mounted, with input shaft, ratio 43, mounting position M1,

电机配置说明

Configuration of Electric Motor

Y系列普通三相异步电机

- 1 本系列减速机标准配置Y系列普通三相异步感应电机;
- 2 电机电压: 380V/50Hz;
- 3 电机防护等级IP54, 绝缘等级F, B级温升;
- 4 环境温度不超过40°C, 不低于-15°C;
- 5 连续工作制S1;
- 6 海拔高度不超过1000m;
- 7 冷却方式为C0141 (风扇自冷);
- 8 100L2及以下规格为"Y"接法, 112M及以上规格为"Δ"接法;
- 9 优先选用 4极电机;
- 10 电机技术参数见第189-194页

Y series Three-phase Asynchronous Electric Motor

- 1 this series gear unit configure three-phase asynchronous electric motor;
- 2 voltage:380V/50Hz;
- 3 protection class:IP54,insulation class: F; temperature rising class: B;
- 4 ambient temperature:-15~40C ;
- 5 continue working duty:S1;
- 6 altitude less than 1000m;
- 7 self-cooling with fan:C0141;
- 8 within frame 100, follow connection Y, from frame 112, follow connection Δ ;
- 9 first select 4 poles motor;
- 10 technical data on page 189-194.

YEJ系列三相异步制动电机

- 1 三相异步制动电机为普通电机的基础上附加制动器;
- 2 电机电压: 380V/50Hz;
- 3 制动器电压: 规格71~100: DC99V
规格112~200: DC170V
- 4 配置单相AC220/50Hz整流器;
- 5 电机防护等级IP44, 绝缘等级F, B级温升;
- 6 环境温度不超过40°C, 不低于-15°C;
- 7 连续工作制S1;
- 8 海拔高度不超过1000m;
- 9 冷却方式为C0141 (风扇自冷);
- 10 100及以下规格为"Y"接法, 112M及以上规格为"Δ"接法;
- 11 优先选用 4极电机;
- 12 电机技术参数见第189-194页

YEJ series Three-phase Asynchronous Brake Motor

- 1 base on Y series motor, add a brake.
- 2 voltage:380V/50Hz;
- 3 brake voltage: frame:71~100 DC99V
frame:112~200 DC170V;
- 4 with single phase AC220V/50Hz rectifier;
- 5 protection class:IP54,insulation class: F, temperature rising class: B ;
- 6 ambient temperature:-15~40C ;
- 7 continue working duty:S1;
- 8 altitude less than 1000m;
- 9 self-cooling with fan:C0141;
- 10 within frame 100, follow connection Y, from frame 112, follow connection Δ ;
- 11 first select 4 poles motor;
- 12 technical data on page 189-194.

YVF系列三相异步变频电机

- 1 电机电压: 380V;
- 2 基准频率: 50Hz;
- 3 允许调频5~50Hz, 恒转矩调速;
- 4 电机防护等级IP54, 绝缘等级F, B级温升;
- 5 环境温度不超过40°C, 不低于-15°C;
- 6 连续工作制S1;
- 7 海拔高度不超过1000m;
- 8 冷却方式为C416 (独立风扇);
- 9 接线方式按适配变频器要求;
- 10 优先选用 4极电机。

YVF series Three-phase Variable-frequency Motor

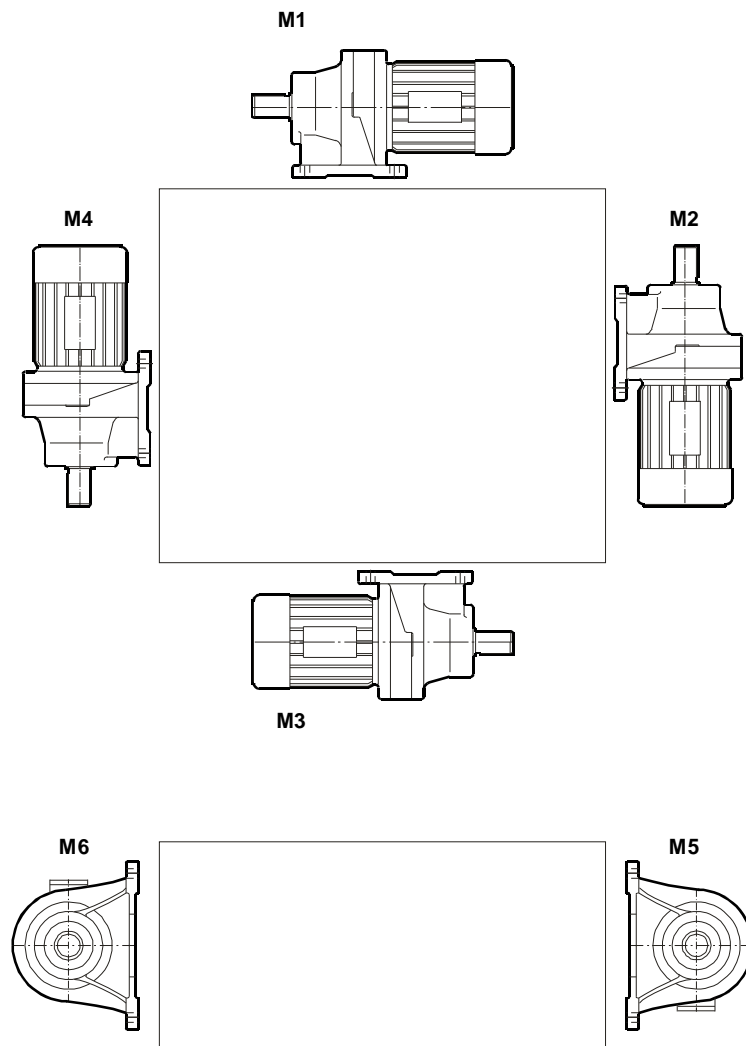
- 1 voltage:380V;
- 2 rated frequency 50Hz;
- 3 available frequency:5~50Hz;
- 4 protection class:IP54,insulation class: F, temperature rising class:B;
- 5 ambient temperature:-15~40C ;
- 6 continue working duty:S1;
- 7 altitude less than 1000m;
- 8 cooling with independence fan:C416;
- 9 connection perform the requirement of inverter;
- 10 first select 4 poles motor;

安装位置

Mounting Position

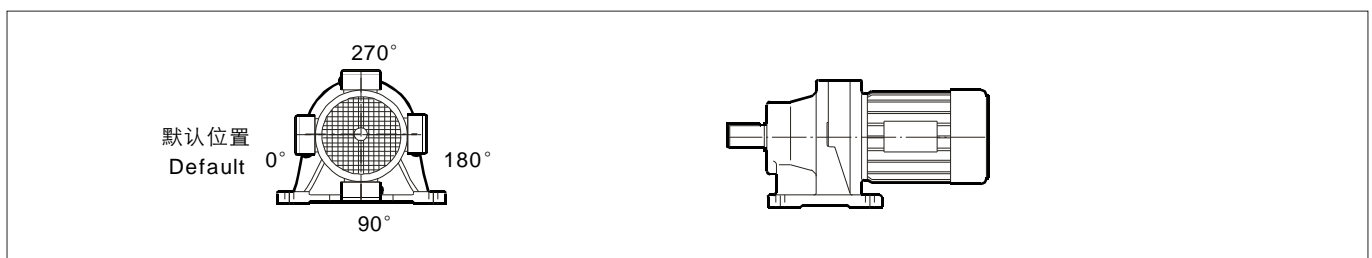
WB..W..型减速机安装位置

WB..W.. type Gear Unit Mounting Position



接线盒位置

Terminal Box Position

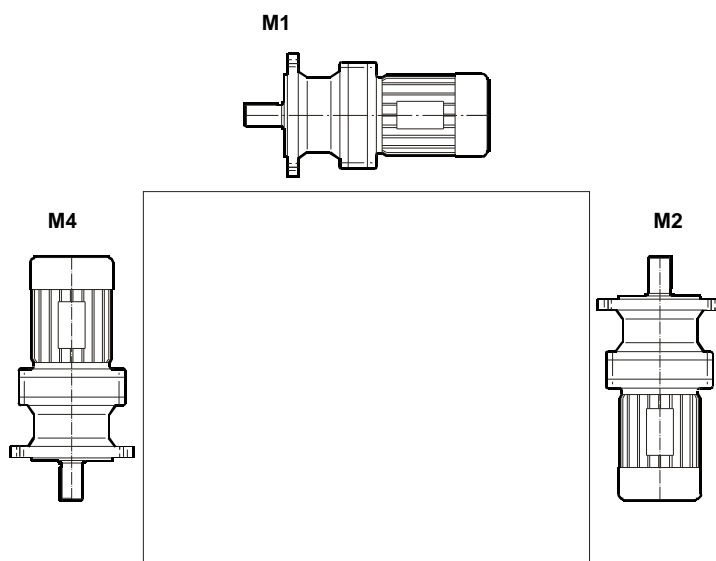


安装位置

Mounting Position

WB..L., WB..L1..减速机安装位置

WB..L.,WB..L1.. type Gear Unit Mounting Position



技术参数

Technical Data

符号意义

Key to Symbols

①

P₁ = 40W

NA rpm	M ₂ Nm	i	Fr _{2MAX} [N]	f _s	Type	Gear unit	Motor size	Kg
2.8	130	473	1010	0.92				
3.4	106	385	1010	1.13	WBE..W	1065	5024	12
4.6	79	289	1010	1.51	WBE..L	1065	5024	12
7.1	51	187	1010	2.33	WBE..L1	1065	5024	12
11	33	121	1010	3.61				
13	27	99	1010	4.41				

②

③

④

⑤

⑥

⑦

⑧

⑨

⑩

- 1 电机功率
- 2 输出转速
- 3 输出转矩
- 4 减速比
- 5 输出轴中最大点载荷
- 6 使用系数
- 7 减速机类型
- 8 减速机规格
- 9 电机型号
- 10 大概重量

- 1 motor power
- 2 output speed
- 3 output torque
- 4 transmission ratio
- 5 maximum load on middle output shaft
- 6 service factor
- 7 gear unit type
- 8 gear unit size
- 9 motor frame
- 10 approximate weight

技术参数

Technical Data

P₁ = 40W

N _A rpm	M ₂ Nm	i	Fr ₂ MAX[N]	f _s	Type	Gear unit	Motor size	 Kg
2.8	130	473	1010	0.92				
3.4	106	385	1010	1.13	WBE..W	1065	5024	12
4.6	79	289	1010	1.51	WBE..L	1065	5024	12
7.1	51	187	1010	2.33	WBE..L1	1065	5024	12
11	33	121	1010	3.61				
13	27	99	1010	4.41				
31	12	43	500	2.11				
38	9.6	35	470	2.60				
46	8.0	29	440	3.14	WB..W	65	5024	5
57	6.3	23	410	3.95	WB..L	65	5024	5
78	4.7	17	370	5.35	WB..L1	65	5024	5
120	3.0	11	320	8.27				
147	2.5	9	300	10.1				

P₁ = 60W

4.6	119	289	1010	1.01	WBE..W	1065	5614	12.5
7.1	77	187	1010	1.56	WBE..L	1065	5614	12.5
11	50	121	1010	2.40	WBE..L1	1065	5614	12.5
13	41	99	1010	2.94				
31	18	43	500	1.41				
38	14	35	470	1.73				
46	12	29	440	2.09	WB..W	65	5614	5.5
57	9.5	23	410	2.64	WB..L	65	5614	5.5
78	7.0	17	370	3.57	WB..L1	65	5614	5.5
120	4.5	11	320	5.51				
147	3.7	9	300	6.74				

P₁ = 90W

4.6	179	289	2500	0.84	WBE..W	1285	5624	18
7.1	116	187	2500	1.30	WBE..L	1285	5624	18
11	75	121	2500	2.00	WBE..L1	1285	5624	18
13	61	99	2500	2.45				
7.1	116	187	1010	1.04	WBE..W	1065	5624	12.8
11	75	121	1010	1.60	WBE..L	1065	5624	12.8
13	61	99	1010	1.96	WBE..L1	1065	5624	12.8
31	27	43	500	2.26				
38	22	35	500	2.77	WB..W	85	5624	6.8
46	18	29	500	3.34	WB..L	85	5624	6.8
57	14	23	470	4.22	WB..L1	85	5624	6.8
78	11	17	420	5.71				

技术参数

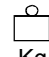
Technical Data

P ₁ = 90 W								
N _A rpm	M ₂ Nm	i	Fr ₂ MAX[N]	f _s	Type	Gear unit	Motor size	 Kg
120	6.8	11	370	8.82	WB..W	85	5624	6.8
147	5.6	9	350	10.8	WB..L	85	5624	6.8
					WB..L1	85	5624	6.8
31	27	43	500	0.94				
38	22	35	470	1.15				
46	18	29	440	1.39	WB..W	65	5624	5.8
57	14	23	410	1.76	WB..L	65	5624	5.8
78	11	17	370	2.38	WB..L1	65	5624	5.8
120	6.8	11	320	3.67				
147	5.6	9	300	4.49				
29	28	29	440	0.89				
37	22	23	410	1.12	WB..W	65	6316	6.7
49	17	17	370	1.51	WB..L	65	6316	6.7
76	10.7	11	320	2.34	WB..L1	65	6316	6.7
93	8.7	9	300	2.86				
P ₁ = 120 W								
7.2	151	187	2500	0.99	WBE..W	1285	63M1-4	18.4
11	98	121	2500	1.54	WBE..L	1285	63M1-4	18.4
14	80	99	2500	1.88	WBE..L1	1285	63M1-4	18.4
7.2	151	187	1010	0.80	WBE..W	1065	63M1-4	13.4
11	98	121	1010	1.23	WBE..L	1065	63M1-4	13.4
14	80	99	1010	1.50	WBE..L1	1065	63M1-4	13.4
31	35	43	500	1.73				
39	28	35	500	2.13				
47	23	29	500	2.57	WB..W	85	63M1-4	7.4
59	19	23	470	3.23	WB..L	85	63M1-4	7.4
79	14	17	420	4.38	WB..L1	85	63M1-4	7.4
123	8.9	11	370	6.76				
150	7.3	9	350	8.27				
20	55	43	500	1.09				
24	45	35	500	1.34				
29	37	29	500	1.62	WB..W	85	63M2-6	8.3
37	29	23	470	2.04	WB..L	85	63M2-6	8.3
50	22	17	420	2.76	WB..L1	85	63M2-6	8.3
77	14.1	11	370	4.26				
94	11.5	9	350	5.20				
39	28	35	470	0.89	WB..W	65	63M1-4	6.4
47	23	29	440	1.07	WB..L	65	63M1-4	6.4
59	19	23	410	1.35	WB..L1	65	63M1-4	6.4

技术参数

Technical Data

P₁ = 120W

N_A rpm	M₂ Nm	i	Fr_{2MAX}[N]	f_s	Type	Gear unit	Motor size	 Kg
79	14	17	370	1.82	WB..W	65	63M1-4	6.4
123	8.9	11	320	2.82	WB..L	65	63M1-4	6.4
150	7.3	9	300	3.44	WB..L1	65	63M1-4	6.4
37	29	23	410	0.85	WB..W	65	63M2-6	7.3
50	22	17	370	1.15	WB..L	65	63M2-6	7.3
77	14.1	11	320	1.77	WB..L1	65	63M2-6	7.3
94	11.5	9	300	2.17				

P₁ = 180W

7.2	226	187	4360	1.11	WBE..W	1510	63M2-4	39.3
11	146	121	4360	1.71	WBE..L	1510	63M2-4	39.3
14	120	99	4360	2.09	WBE..L1	1510	63M2-4	39.3
11	146	121	2500	1.02	WBE..W	1285	63M2-4	18.5
14	120	99	2500	1.25	WBE..L	1285	63M2-4	18.5
					WBE..L1	1285	63M2-4	18.5
15	109	59	1010	1.10				
20	80	43	1010	1.50				
25	65	35	1010	1.85	WB..W	100	71M1-6	13
30	54	29	1010	2.23	WB..L	100	71M1-6	13
38	43	23	880	2.81	WB..L1	100	71M1-6	13
52	32	17	800	3.80				
80	20	11	700	5.88				
98	17	9	650	7.18				
23	71	59	1010	1.68				
31	52	43	1010	2.31				
39	42	35	1010	2.83	WB..W	100	63M2-4	11.3
47	35	29	1010	3.42	WB..L	100	63M2-4	11.3
59	28	23	880	4.31	WB..L1	100	63M2-4	11.3
79	21	17	800	5.84				
123	13	11	700	9.02				
150	11	9	650	11.0				
25	65	35	500	0.92				
30	54	29	500	1.11	WB..W	85	71M1-6	11.3
38	43	23	470	1.41	WB..L	85	71M1-6	11.3
52	32	17	420	1.90	WB..L1	85	71M1-6	11.3
80	20	11	370	2.94				
98	17	9	350	3.59				

技术参数

Technical Data

P₁ = 180W

N_A rpm	M₂ Nm	i	Fr_{2MAX}[N]	f_s	Type	Gear unit	Motor size	 Kg
31	52	43	500	1.15				
39	42	35	500	1.42				
47	35	29	500	1.71	WB..W	85	63M2-4	7.8
59	28	23	470	2.16	WB..L	85	63M2-4	7.8
79	21	17	420	2.92	WB..L1	85	63M2-4	7.8
123	13	11	370	4.51				
150	11	9	350	5.51				

P₁ = 250W

7.2	314	187	4360	0.80	WBE..W	1510	71M1-4	40.4
11	203	121	4360	1.23	WBE..L	1510	71M1-4	40.4
14	166	99	4360	1.50	WBE..L1	1510	71M1-4	40.4
11	203	121	2500	0.74	WBE..W	1285	71M1-4	19.9
14	166	99	2500	0.90	WBE..L	1285	71M1-4	19.9
					WBE..L1	1285	71M1-4	19.9
23	99	59	1010	1.21				
31	72	43	1010	1.66				
39	59	35	1010	2.04	WB..W	100	71M1-4	12.4
47	49	29	1010	2.46	WB..L	100	71M1-4	12.4
59	39	23	880	3.11	WB..L1	100	71M1-4	12.4
79	29	17	800	4.20				
123	18	11	700	6.49				
150	15	9	650	7.94				
15	149	59	1010	0.81				
21	108	43	1010	1.11				
26	88	35	1010	1.36	WB..W	100	71M2-6	15.2
31	73	29	1010	1.64	WB..L	100	71M2-6	15.2
39	58	23	880	2.07	WB..L1	100	71M2-6	15.2
53	43	17	800	2.80				
82	28	11	700	4.33				
100	23	9	650	5.29				
31	72	43	500	0.83				
39	59	35	500	1.02				
47	49	29	500	1.23	WB..W	85	71M1-4	9.7
59	39	23	470	1.55	WB..L	85	71M1-4	9.7
79	29	17	420	2.10	WB..L1	85	71M1-4	9.7
123	18	11	370	3.25				
150	15	9	350	3.97				

技术参数

Technical Data

P₁ = 250 W

N_A rpm	M₂ Nm	i	Fr₂MAX[N]	f_s	Type	Gear unit	Motor size	Kg
31	73	29	500	0.82				
39	58	23	470	1.04	WB..W	85	71M2-6	10
53	43	17	420	1.40	WB..L	85	71M2-6	10
82	28	11	370	2.16	WB..L1	85	71M2-6	10
100	23	9	350	2.65				

P₁ = 370 W

11	301	121	4360	0.83	WBE..W	1510	71M2-4	41.2
14	246	99	4360	1.02	WBE..L	1510	71M2-4	41.2
					WBE..L1	1510	71M2-4	41.2
19	174	71	2500	0.86				
23	145	59	2500	1.04				
32	105	43	2390	1.42				
39	86	35	2390	1.75	WB..W	120	71M2-4	17.2
47	71	29	2390	2.11	WB..L	120	71M2-4	17.2
60	56	23	2040	2.66	WB..L1	120	71M2-4	17.2
81	42	17	1900	3.60				
125	27	11	1660	5.57				
152	22	9	1500	6.80				
21	160	43	2390	0.94				
26	131	35	2390	1.15				
31	108	29	2390	1.39	WB..W	120	80M1-6	19.2
39	86	23	2040	1.75	WB..L	120	80M1-6	19.2
53	63	17	1900	2.37	WB..L1	120	80M1-6	19.2
82	41	11	1660	3.66				
100	34	9	1500	4.47				
23	145	59	1010	0.83				
32	105	43	1010	1.14				
39	86	35	1010	1.40				
47	71	29	1010	1.69	WB..W	100	71M2-4	13.2
60	56	23	880	2.13	WB..L	100	71M2-4	13.2
81	42	17	800	2.88	WB..L1	100	71M2-4	13.2
125	27	11	700	4.45				
152	22	9	650	5.44				
26	131	35	1010	0.92				
31	108	29	1010	1.11				
39	86	23	880	1.40	WB..W	100	80M1-6	15.2
53	63	17	800	1.89	WB..L	100	80M1-6	15.2
82	41	11	700	2.92	WB..L1	100	80M1-6	15.2
100	34	9	650	3.57				

技术参数

Technical Data

P ₁ = 550W								
N _A rpm	M ₂ Nm	i	Fr _{2MAX} [N]	f _s	Type	Gear unit	Motor size	 Kg
16	317	87	4360	0.79				
19	259	71	4360	0.97				
23	215	59	4050	1.16				
32	157	43	3620	1.60	WB..W	150	80M1-4	37
39	127	35	3210	1.96	WB..L	150	80M1-4	37
47	106	29	3210	2.37	WB..L1	150	80M1-4	37
60	84	23	2750	2.98				
81	62	17	2550	4.04				
125	40	11	2230	6.24				
152	33	9	2020	7.63				
<hr/>								
21	238	43	3620	1.05				
26	194	35	3210	1.29				
31	161	29	3210	1.55	WB..W	150	80M2-6	37.9
39	128	23	2750	1.96	WB..L	150	80M2-6	37.9
53	94	17	2550	2.65	WB..L1	150	80M2-6	37.9
82	61	11	2230	4.10				
100	50	9	2020	5.01				
<hr/>								
32	157	43	2390	0.96				
39	127	35	2390	1.18				
47	106	29	2390	1.42	WB..W	120	80M1-4	20
60	84	23	2040	1.79	WB..L	120	80M1-4	20
81	62	17	1900	2.42	WB..L1	120	80M1-4	20
125	40	11	1660	3.74				
152	33	9	1500	4.58				
<hr/>								
31	161	29	2390	0.93				
39	128	23	2040	1.18	WB..W	120	80M2-6	20.9
53	94	17	1900	1.59	WB..L	120	80M2-6	20.9
82	61	11	1660	2.46	WB..L1	120	80M2-6	20.9
100	50	9	1500	3.01				
<hr/>								
39	127	35	1010	0.94				
47	106	29	1010	1.14	WB..W	100	80M1-4	20
60	84	23	880	1.43	WB..L	100	80M1-4	20
81	62	17	800	1.94	WB..L1	100	80M1-4	20
125	40	11	700	3.00				
152	33	9	650	3.66				
<hr/>								
39	128	23	880	0.94				
53	94	17	800	1.27	WB..W	100	80M2-6	16.9
82	61	11	700	1.97	WB..L	100	80M2-6	16.9
100	50	9	650	2.40	WB..L1	100	80M2-6	16.9

技术参数

Technical Data

P₁ = 750W

N_A rpm	M₂ Nm	i	Fr_{2MAX}[N]	f_s	Type	Gear unit	Motor size	Kg
23	293	59	4050	0.85				
32	214	43	3620	1.17				
39	174	35	3210	1.44	WB..W	150	80M2-4	38
47	144	29	3210	1.74	WB..L	150	80M2-4	38
60	114	23	2750	2.19	WB..L1	150	80M2-4	38
81	84	17	2550	2.96				
125	55	11	2230	4.58				
152	45	9	2020	5.59				
<hr/>								
21	318	43	3620	0.79				
26	259	35	3210	0.97				
32	214	29	3210	1.17	WB..W	150	90S-6	39.7
40	170	23	2750	1.47	WB..L	150	90S-6	39.7
54	126	17	2550	1.99	WB..L1	150	90S-6	39.7
84	81	11	2230	3.07				
102	67	9	2020	3.76				
<hr/>								
39	174	35	2390	0.86				
47	144	29	2390	1.04	WB..W	120	80M2-4	21
60	114	23	2040	1.31	WB..L	120	80M2-4	21
81	84	17	1900	1.78	WB..L1	120	80M2-4	21
125	55	11	1660	2.75				
152	45	9	1500	3.36				
<hr/>								
40	170	23	2040	0.88	WB..W	120	90S-6	22.7
54	126	17	1900	1.19	WB..L	120	90S-6	22.7
84	81	11	1660	1.84	WB..L1	120	90S-6	22.7
102	67	9	1500	2.25				
<hr/>								
47	144	29	1010	0.83				
60	114	23	880	1.05	WB..W	100	80M2-4	18.7
81	84	17	800	1.42	WB..L	100	80M2-4	18.7
125	55	11	700	2.20	WB..L1	100	80M2-4	18.7
152	45	9	650	2.68				

P₁ = 1100W

33	307	43	3620	0.82				
40	249	35	3210	1.00				
48	207	29	3210	1.21	WB..W	150	90S-4	40.1
61	164	23	2750	1.52	WB..L	150	90S-4	40.1
82	121	17	2550	2.06	WB..L1	150	90S-4	40.1
127	78	11	2230	3.19				
156	64	9	2020	3.90				

技术参数

Technical Data

P₁ = 1100W

N_A rpm	M₂ Nm	i	Fr_{2MAX}[N]	f_s	Type	Gear unit	Motor size	Kg
32	313	29	3210	0.80				
40	248	23	2750	1.01	WB..W	150	90L-6	43.1
54	183	17	2550	1.36	WB..L	150	90L-6	43.1
84	119	11	2230	2.11	WB..L1	150	90L-6	43.1
103	97	9	2020	2.57				
61	164	23	2040	0.91	WB..W	120	90S-4	23.1
82	121	17	1900	1.24	WB..L	120	90S-4	23.1
127	78	11	1660	1.91	WB..L1	120	90S-4	23.1
156	64	9	1500	2.34				

P₁ = 1500W

48	282	29	3210	0.89				
61	224	23	2750	1.12	WB..W	150	90L-4	40.1
82	165	17	2550	1.51	WB..L	150	90L-4	40.1
127	107	11	2230	2.34	WB..L1	150	90L-4	40.1
156	87	9	2020	2.86				
56	245	17	2550	1.02	WB..W	150	100L-6	40.1
86	158	11	2230	1.58	WB..L	150	100L-6	40.1
105	130	9	2020	1.93	WB..L1	150	100L-6	40.1

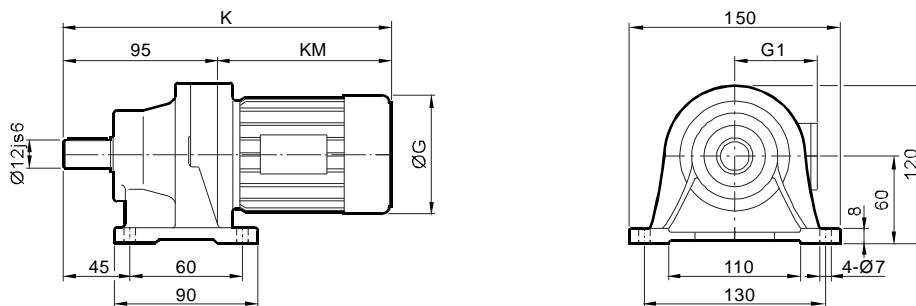
P₁ = 2200W

82	242	17	2550	1.03	WB..W	150	100L1-4	49
127	157	11	2230	1.59	WB..L	150	100L1-4	49
156	128	9	2020	1.95	WB..L1	150	100L1-4	49

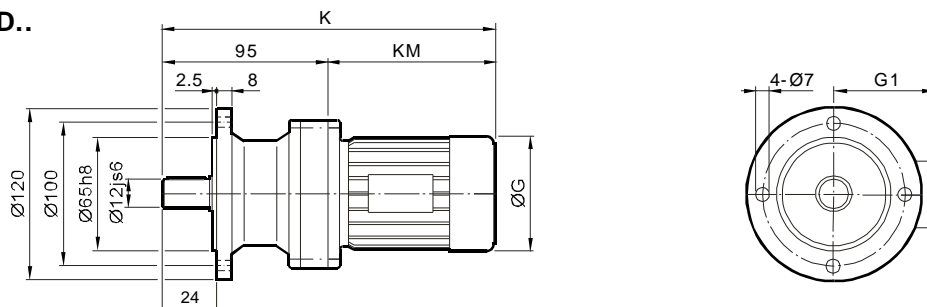
安装尺寸

Mounting Dimensions

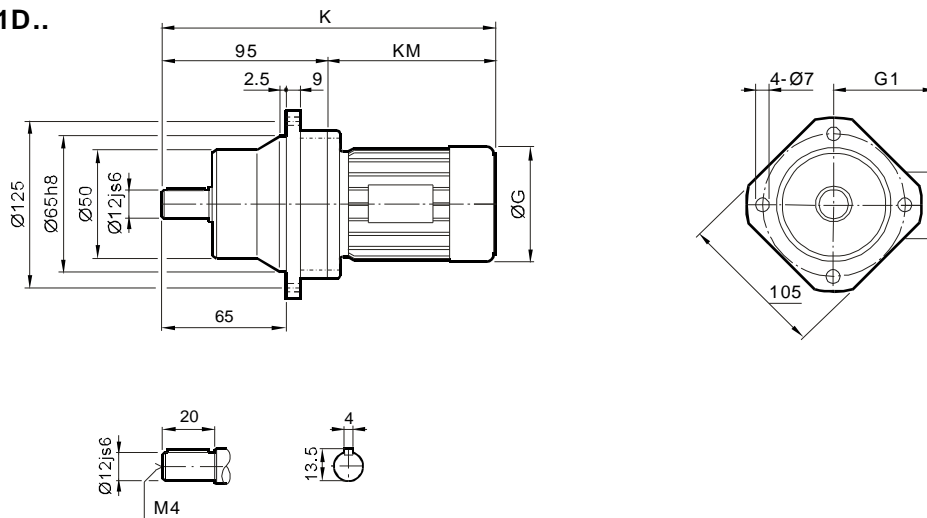
WB65-WD..



WB65-LD..



WB65-L1D..



尺寸 Dimensions	电机规格 Motor frame									
	50	56	63							
G	95	115	215							
G1	75	80	100							
K	195	265	285							
KB	-	-	-							
KM	130	170	190							

尺寸说明

以上尺寸为直联普通电机和制动电机尺寸；
KB为制动电机尺寸,其余为普通电机尺寸；
防爆电机，变频电机等须加过渡法兰，见99页。

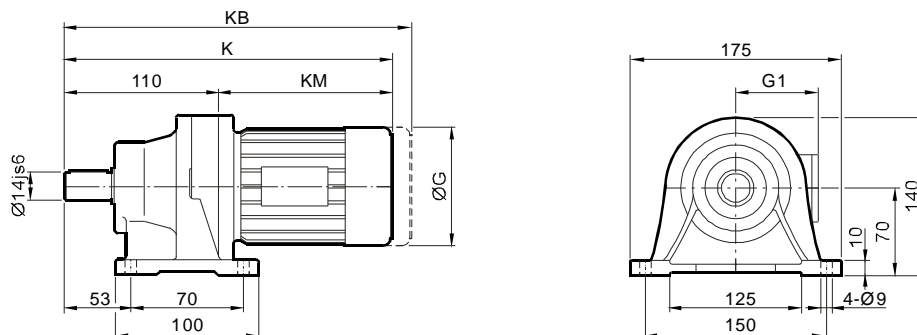
ATTENTION

Dimensions of universal and brake motor shown in upon table, the others like explosion, inverter motor coupled by adaptor, the dimensions on page 99.

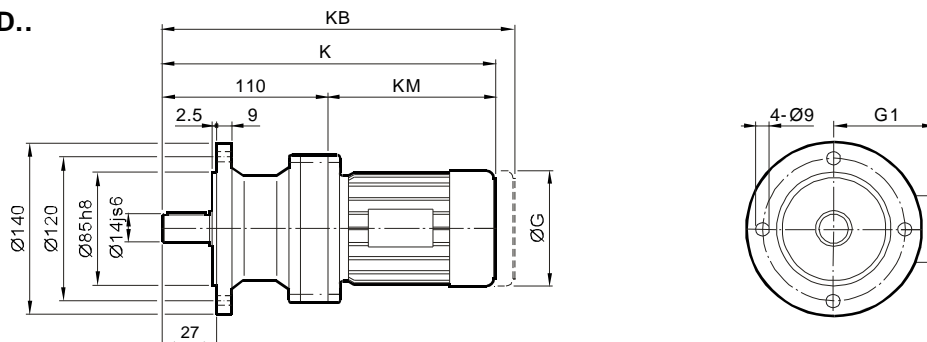
安装尺寸

Mounting Dimensions

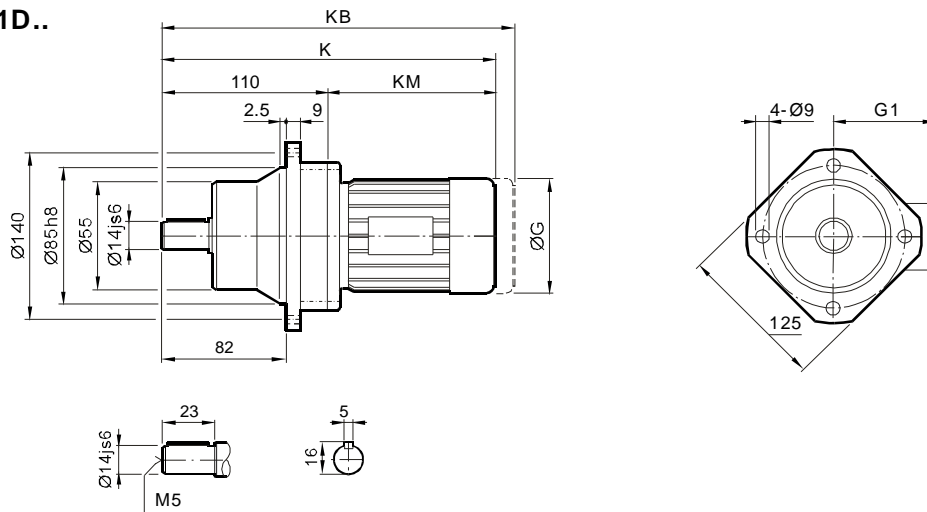
WB85-WD..



WB85-LD..



WB85-L1D..



尺寸 Dimensions	电机规格 Motor frame									
	56	63	71							
G	115	130	130							
G1	80	100	110							
K	280	300	300							
KB	-	388	427							
KM	170	190	190							

尺寸说明

以上尺寸为直联普通电机和制动电机尺寸；
KB为制动电机尺寸,其余为普通电机尺寸；
防爆电机，变频电机等须加过渡法兰，见99页。

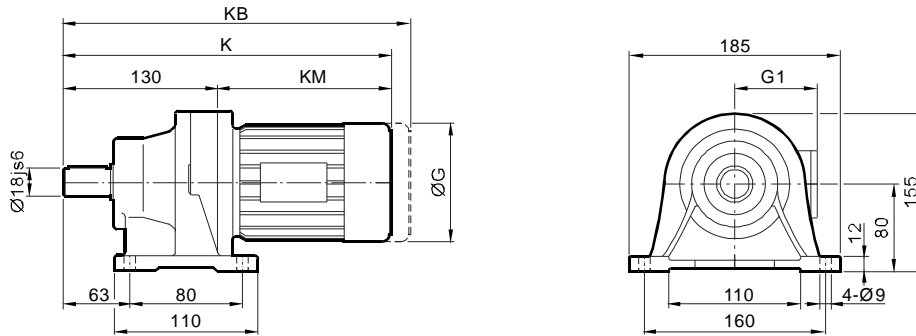
ATTENTION

Dimensions of universal and brake motor shown in upon table, the others like explosion, inverter motor coupled by adaptor, the dimensions on page 99.

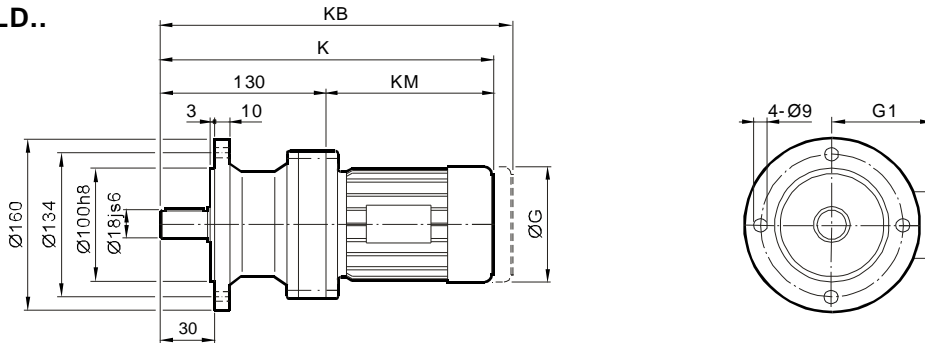
安装尺寸

Mounting Dimensions

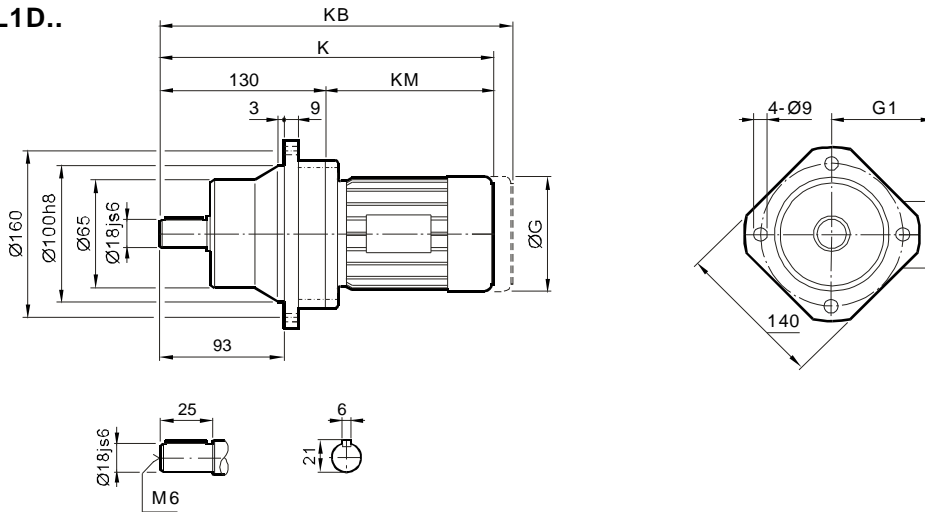
WB100-WD..



WB100-LD..



WB100-L1D..



尺寸 Dimensions	电机规格 Motor frame									
	63	71	80							
G	130	130	150							
G1	100	110	145							
K	320	320	355							
KB	408	447	482							
KM	190	190	225							

尺寸说明

以上尺寸为直联普通电机和制动电机尺寸；
KB为制动电机尺寸,其余为普通电机尺寸；
防爆电机，变频电机等须加过渡法兰，见99页。

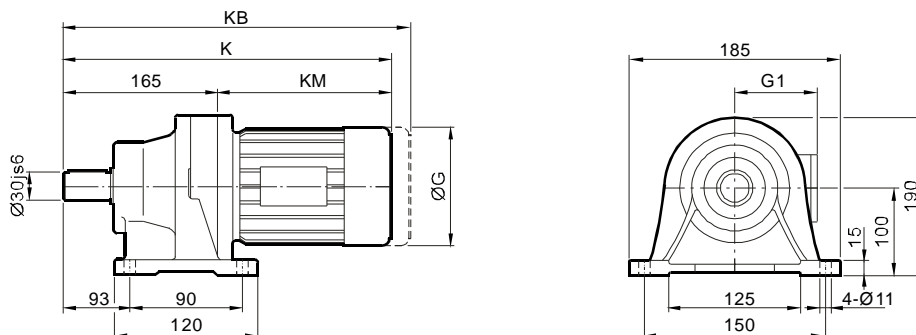
ATTENTION

Dimensions of universal and brake motor shown in upon table, the others like explosion, inverter motor coupled by adaptor, the dimensions on page 99.

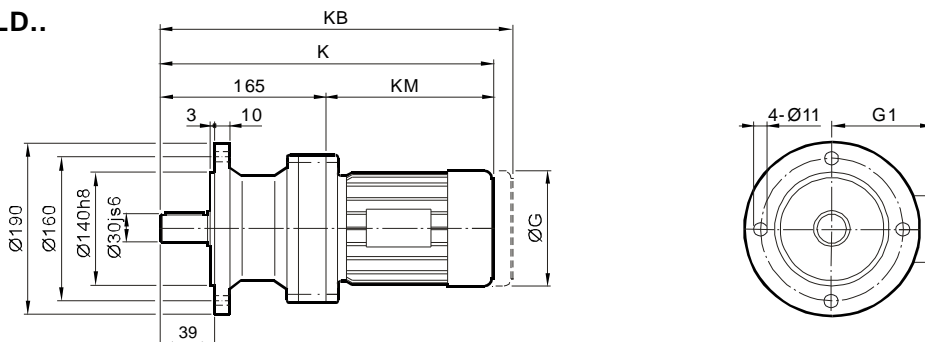
安装尺寸

Mounting Dimensions

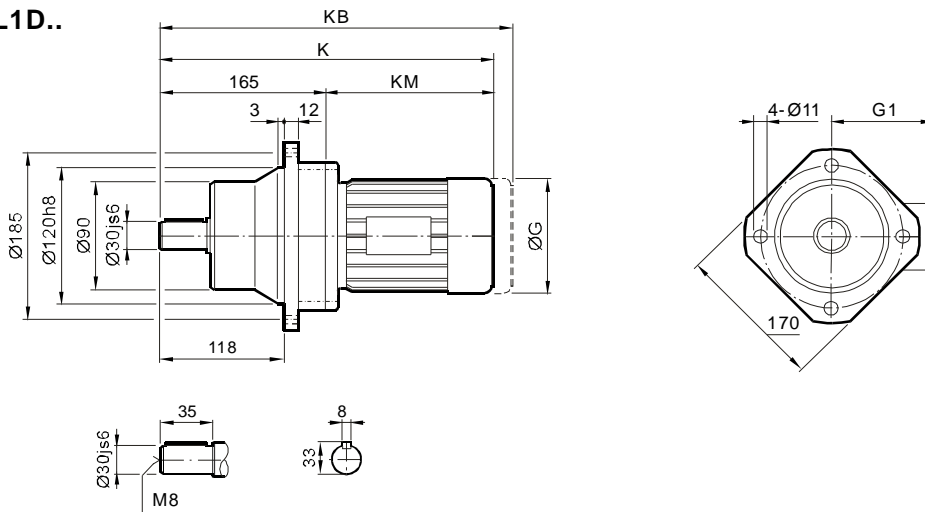
WB120-WD..



WB120-LD..



WB120-L1D..



尺寸 Dimensions	电机规格 Motor frame									
	71	80	90							
G	130	150	175							
G1	110	145	150							
K	355	390	450							
KB	452	467	574							
KM	190	225	260							

尺寸说明

以上尺寸为直联普通电机和制动电机尺寸；
KB为制动电机尺寸,其余为普通电机尺寸；
防爆电机，变频电机等须加过渡法兰，见99页。

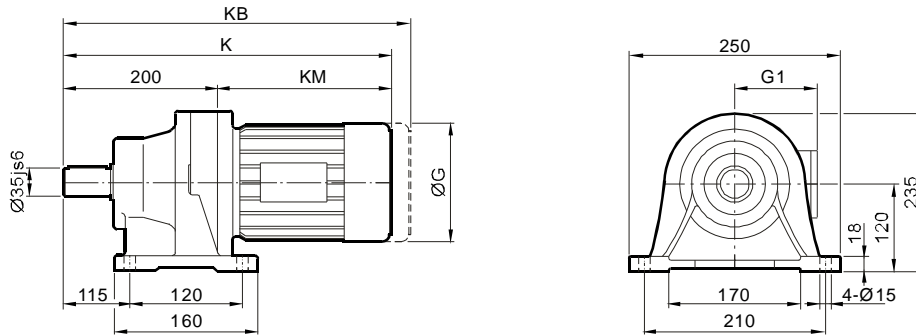
ATTENTION

Dimensions of universal and brake motor shown in upon table, the others like explosion, inverter motor coupled by adaptor, the dimensions on page 99.

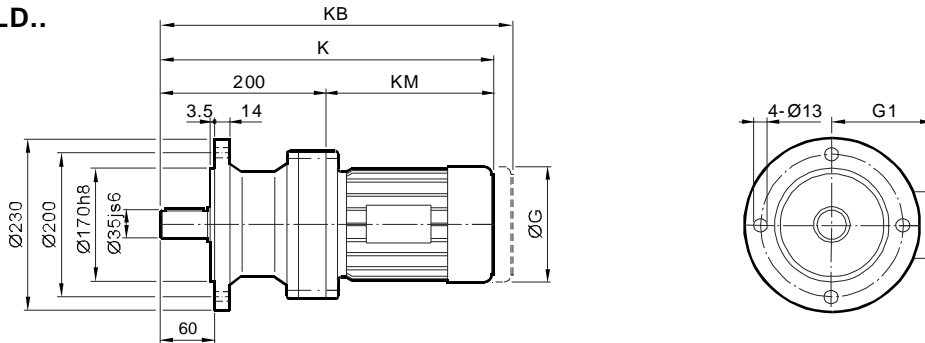
安装尺寸

Mounting Dimensions

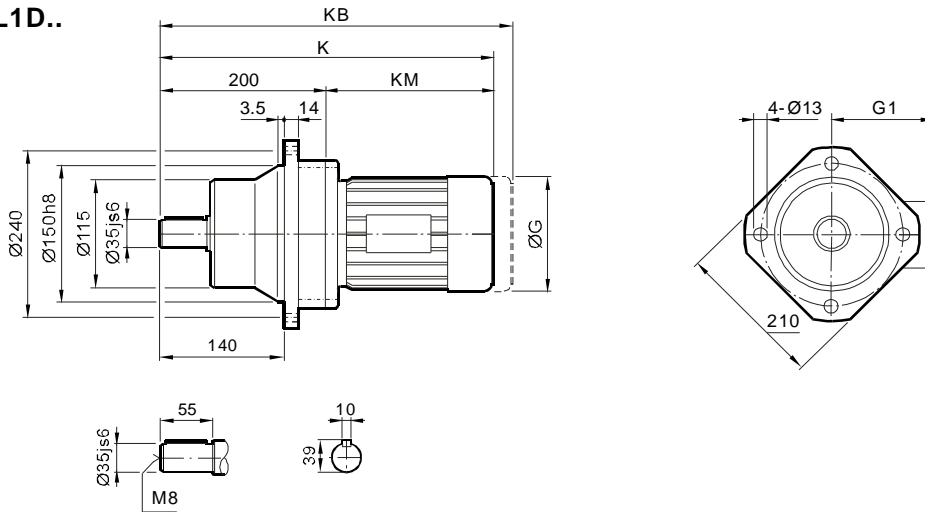
WB150-WD..



WB150-LD..



WB150-L1D..



尺寸 Dimensions	电机规格 Motor frame									
	80	90	112							
G	150	175	215							
G1	145	150	175							
K	425	485	495							
KB	502	609	619							
KM	225	260	325							

尺寸说明

以上尺寸为直联普通电机和制动电机尺寸；
KB为制动电机尺寸,其余为普通电机尺寸；
防爆电机，变频电机等须加过渡法兰，见99页。

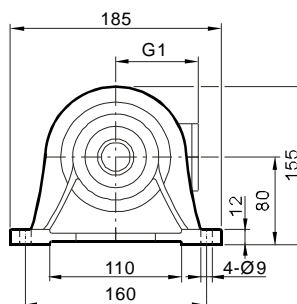
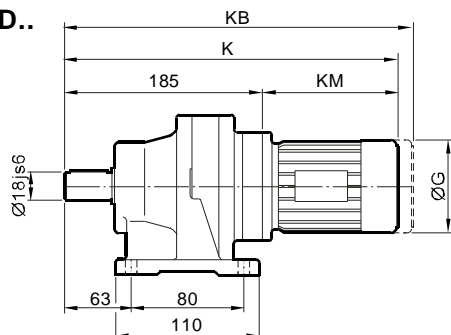
ATTENTION

Dimensions of universal and brake motor shown in upon table, the others like explosion, inverter motor coupled by adaptor, the dimensions on page 99.

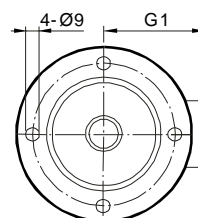
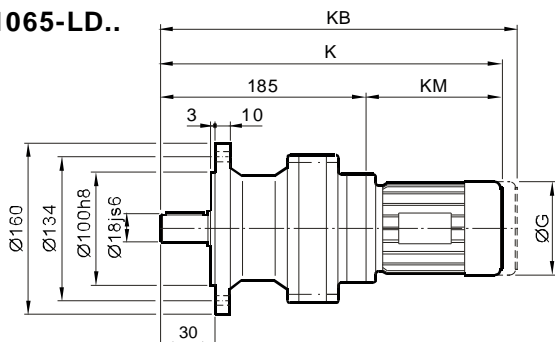
安装尺寸

Mounting Dimensions

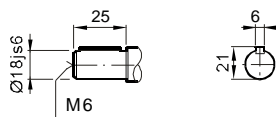
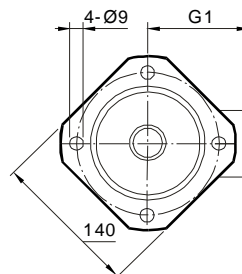
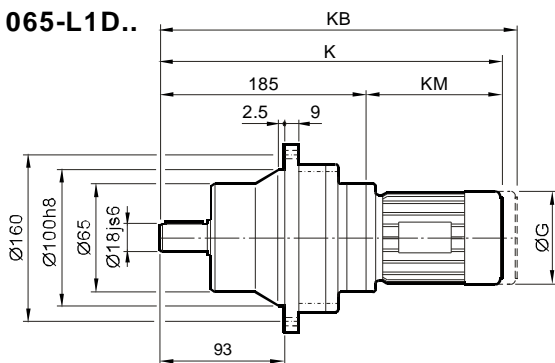
WB1065-WD..



WB1065-LD..



WB1065-L1D..



尺寸 Dimensions	电机规格 Motor frame									
	50	56	63							
G	95	115	215							
G1	75	80	100							
K	250	320	340							
KB	-	-	-							
KM	130	170	190							

尺寸说明

以上尺寸为直联普通电机和制动电机尺寸；
KB为制动电机尺寸,其余为普通电机尺寸；
防爆电机，变频电机等须加过渡法兰，见99页。

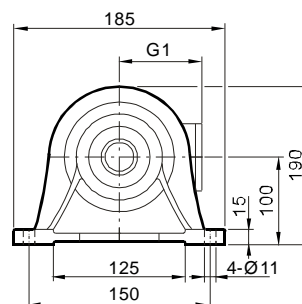
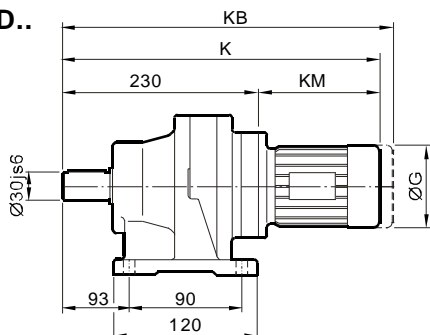
ATTENTION

Dimensions of universal and brake motor shown in upon table, the others like explosion, inverter motor coupled by adaptor, the dimensions on page 99.

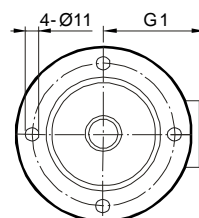
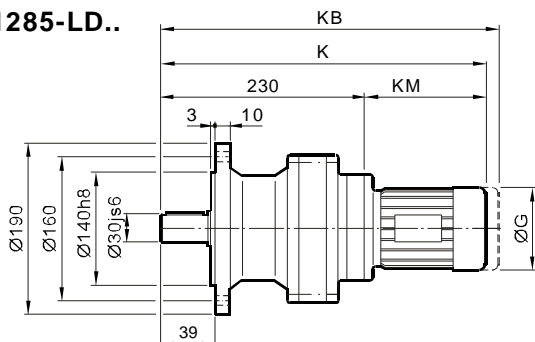
安装尺寸

Mounting Dimensions

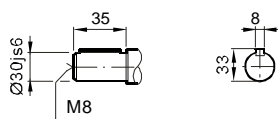
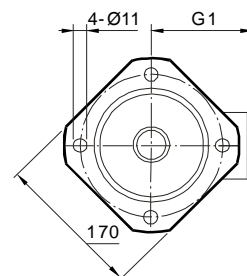
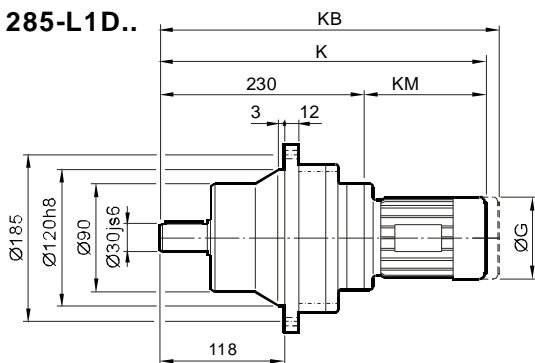
WB1285-WD..



WB1285-LD..



WB1285-L1D..



尺寸 Dimensions	电机规格 Motor frame										
	56	63	71								
G	115	130	130								
G1	80	100	110								
K	345	365	365								
KB	-	453	492								
KM	170	190	190								

尺寸说明

以上尺寸为直联普通电机和制动电机尺寸；
KB为制动电机尺寸,其余为普通电机尺寸；
防爆电机，变频电机等须加过渡法兰，见99页。

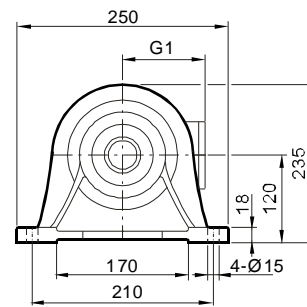
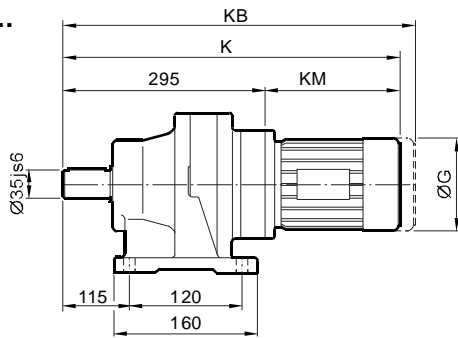
ATTENTION

Dimensions of universal and brake motor shown in upon table, the others like explosion, inverter motor coupled by adaptor, the dimensions on page 99.

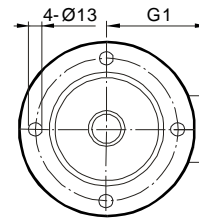
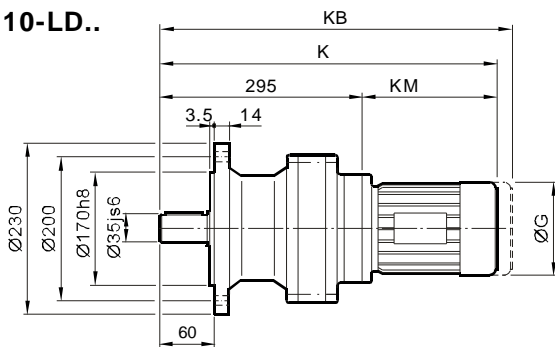
安装尺寸

Mounting Dimensions

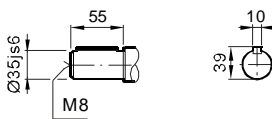
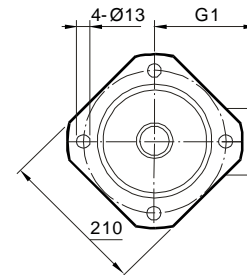
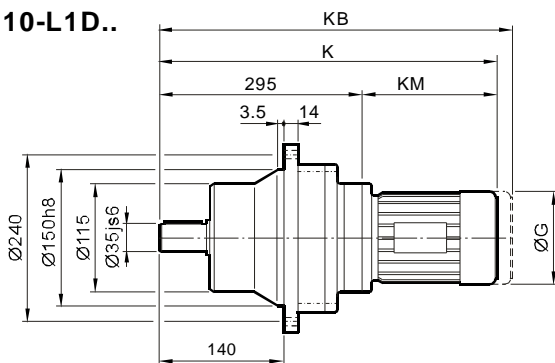
WB1510-WD..



WB1510-LD..



WB1510-L1D..



尺寸 Dimensions	电机规格 Motor frame										
	63	71	80								
G	130	130	150								
G1	100	110	145								
K	320	320	355								
KB	408	447	482								
KM	190	190	225								

尺寸说明

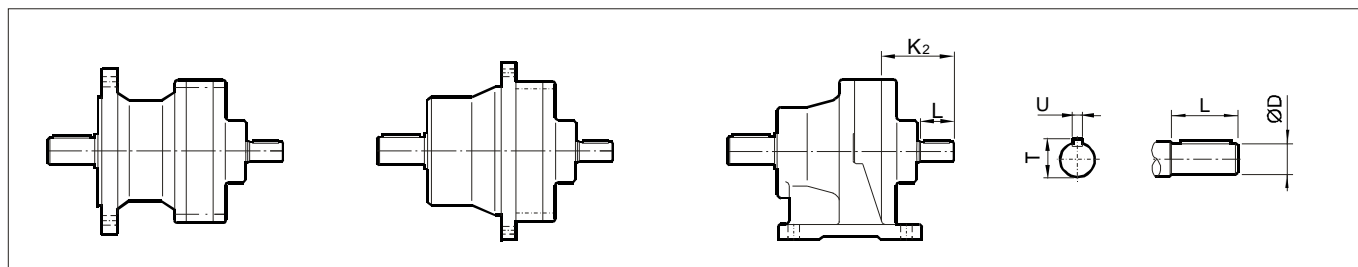
以上尺寸为直联普通电机和制动电机尺寸；
KB为制动电机尺寸,其余为普通电机尺寸；
防爆电机，变频电机等须加过渡法兰，见99页。

ATTENTION

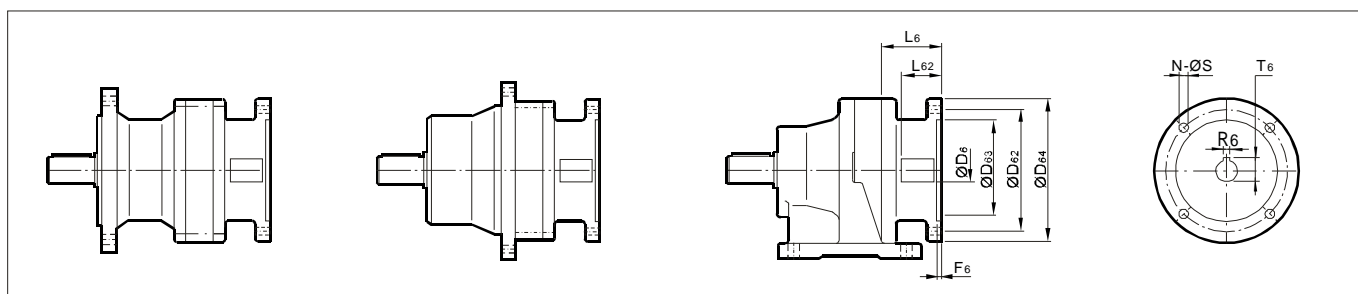
Dimensions of universal and brake motor shown in upon table, the others like explosion, inverter motor coupled by adaptor, the dimensions on page 99.

轴输入及法兰输入尺寸

Input Shft and Input Flange Dimensions



减速机型号 Gear unit size	D	K ₂	L	T	U
WB65..	10js6	40	16	11	3
WB85..	12js6	42	16	13	3
WB100..	14js6	45	20	16	4
WB120..	15js6	50	22	17	5
WB150..	20js6	60	30	22	6



减速机型号 Gear unit size	法兰规格 Motorframe	D ₆ (H7)	T ₆	R ₆	F ₆	L ₆	L ₆₂	D ₆₄	D ₆₂	D ₆₃ (H7)	N	S
WB85..	63B5	11	12.7	4	4	38	25	140	115	95	4	M5
WB100..	63B5	11	12.7	4	4	38	25	140	115	95	4	M5
	71B5	14	16.2	5	5	42	32	160	130	110	4	M6
WB120..	80B5	19	21.7	6	5.5	65	42	200	165	130	4	M8
	63B5	11	12.7	4	4	38	25	140	115	95	4	M5
	71B5	14	16.2	5	5	50	32	160	130	110	4	M6
	80B5	19	21.7	6	5.5	65	42	200	165	130	4	M8
WB150..	90B5	24	27.2	8	5.5	65	52	200	165	130	4	M8
	80B5	19	21.7	6	5.5	70	42	200	165	130	4	M8
	90B5	24	27.2	8	5.5	70	52	200	165	130	4	M8
	100B5	28	31.2	8	5.5	75	62	250	215	180	4	M8

注意!

- 1 选用底脚安装减速机时, 尺寸ØD64可能会超过底脚安装面, 请注意校核。
- 2 适配电机参照IEC B5法兰规格,其它未注尺寸请参考相关机型号。

Attention!

- 1 Dimension Ø D64 may protrude past foot mounting surface if selecting foot-mounted type.
- 2 the motor flange follow IEC B5 type, dimensions is not indicated, please refer to correlative gear unit size

M&C[®]
ELECTRIC POWER

CHINA ELECTRIC MOTOR ASSOCIATION
GUANGDONG M&C ELECTRIC POWER CO.,LTD

Add:3/f Dizhi Building No.739 Dongfeng Rd.E Guangzhou China

Tel.: 0086-20-89660216

Fax.: 0086-20-89660219

P.C.: 510080

E-mail: mc@china-electricmotor.com

Website: <http://www.china-electricmotor.com>