



SERIES 7855

O-RING KITS

O-Rings are packaged in a clear, plastic box with a resealable lid, clearly marked with material type, O-Ring size, and quantity. The cardboard insert indicates the individual Ace codes for each size, so you can easily re-order the O-Rings as they are depleted. The quantity of each O-Ring varies by size and compartment.

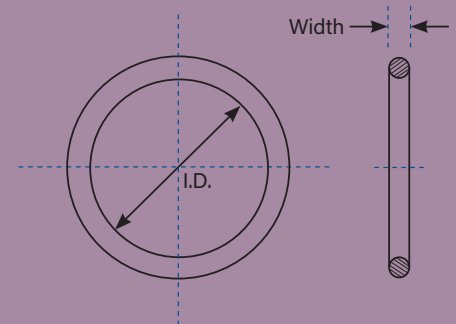
Viton® Kit (7855-99)

- Comprised of linear co-polymer of vinylidene fluoride and hexafluoropropylene
- Fluorine content is between 66% to 70%
- Generally black in color, and with generally good temperature and chemical resistance
- 35 each: -006, -007, -008, -009, -010, -011, -012
- 20 each: -110, -111, -112, -113
- 16 each: -114, -115, -116
- 10 each: -210, -211, -212, -213, -214, -215, -216
- 7 each: -217, -218, -219, -220, -221, -222
- 5 each: -325, -326, -327

Buna-N Kit (7855-499)

- Also known as Nitrile rubber: A synthetic blended rubber, co-polymer of acrylonitrile and butadiene
- Generally resistant to fuels and oils
- Generally black or brown in color
- 35 each: -006, -007, -008, -009, -010, -011, -012
- 20 each: -110, -111, -112, -113
- 16 each: -114, -115, -116
- 10 each: -210, -211, -212, -213, -214, -215, -216
- 7 each: -217, -218, -219, -220, -221, -222
- 5 each: -325, -326, -327

Viton® / Buna-N



Contact your local sales rep today for more information

1-800-223-4524 | www.aceglass.com

O-RING KITS continued...

FETFE® Kit (7855-799)

- An ACE exclusive compound which is a fluoroelastomer with TFE additives
- Good compression set along with excellent temperature and chemical compatibility
- Generally black in color
- 12 each: -008, -009, -010, -011, -012, -013, -014, -018, -108, -110, -111, -112, -116, -121, -136, -210, -212, -220

Mixed Media Kit (7855-300) 20 each size

- Includes 4 different materials: FETFE®, Silicone, Buna-N, Viton®
- FETFE®: -008, -013, -110, -210, -212
- Silicone: -010, -011, -013, -110, -210
- Buna-N: -011, -013, -110
- Viton®: -010, -011, -013, -108, -110

Available O-Rings Materials

- Buna-N
- CAPFE
- Chemraz®
- EPDM
- FETFE®
- Kalrez®
- Silicone
- Viton®



FETFE® / Mixed

Size	I.D. mm	Width mm
-006	2.9	1.78
-007	3.7	1.78
-008	4.5	1.78
-009	5.3	1.78
-010	6.1	1.78
-011	7.7	1.78
-012	9.2	1.78
-013	10.8	1.78
-014	12.4	1.78
-018	18.8	1.78
-110	9.2	2.6
-111	10.8	2.6
-112	12.4	2.6
-113	13.9	2.6
-114	15.5	2.6
-115	17.1	2.6
-116	18.7	2.6
-121	26.6	2.6
-136	50.5	2.6
-210	18.6	3.5
-211	20.2	3.5
-212	21.8	3.5
-213	23.4	3.5
-214	25.0	3.5
-215	26.6	3.5
-216	28.2	3.5
-217	29.7	3.5
-218	31.3	3.5
-219	32.9	3.5
-220	34.5	3.5
-221	36.1	3.5
-222	37.7	3.5
-325	37.5	5.3
-326	40.6	5.3
-327	43.8	5.3



1430 Northwest Boulevard
Vineland, NJ 08360

sales@aceglass.com
P: (800) 223-4524
F: (800) 543-6752