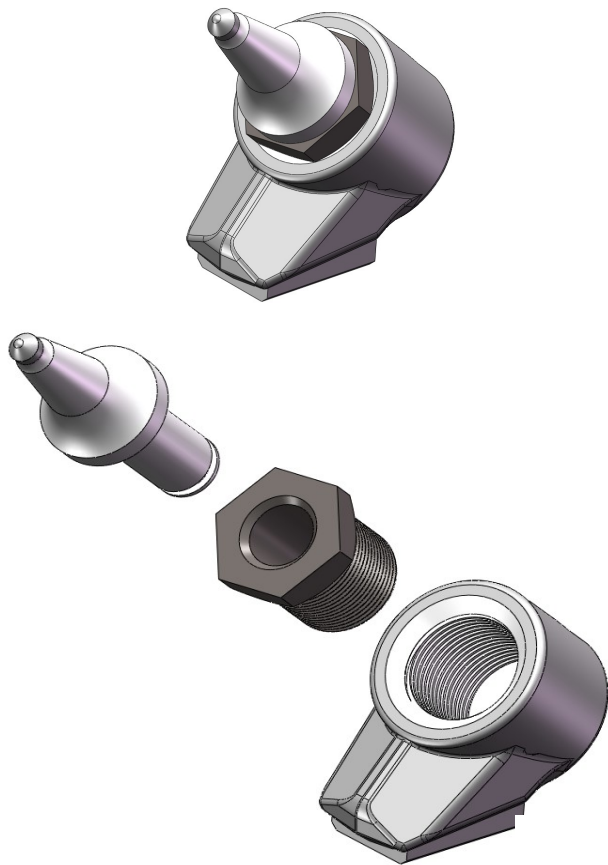
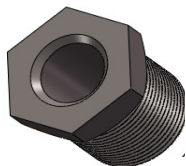




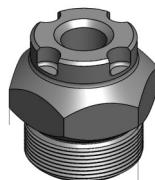
BIG EASY QUICK-CHANGE SYSTEM



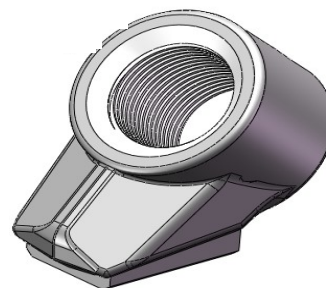
- Easy insert removal- unscrew insert with standard tools, no hydraulic presses or special tools required
- Interchangeable inserts provides unmatched versatility allowing the use of multiple size shank bits for different trenching applications
- Keystone's patented threaded system provides more clamping force than industry standard taper systems, creating a system that is stronger and lasts longer



Big Easy Insert
30-38mm bit



Big Easy Insert
19-25mm bit



Big Easy Base