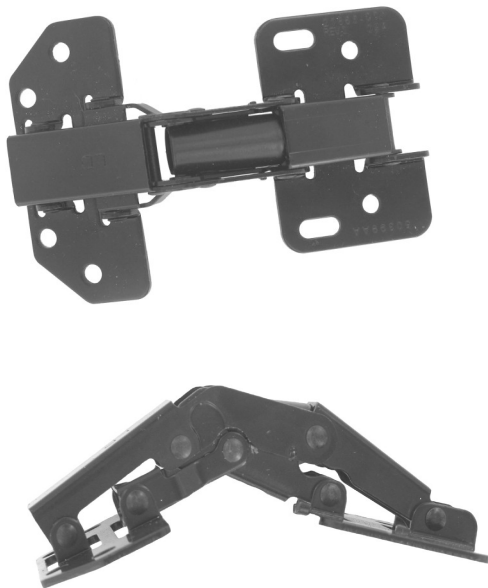


200-0200 Cabinet Hinge



Cabinet hinge is a concealed hinge that surface mounts for ease of installation and totally hidden applications. The concealed hinge action has a rotational axis outside of the physical door (up and out) and provides for flush doors when closed.

FEATURES/BENEFITS:

- Spring-biased over-center detent holds the door in the open position and assists in closing action



TriMark Corporation
500 Bailey Avenue
P.O. Box 350
New Hampton, Iowa 50659
United States
Tel: 641-394-3188
Fax: 641-394-2392
1-800-447-0343
www.trimarkcorp.com



TriMark Europe
Cedar Court
Walker Road
Bardon Hill
Coalville LE67 1TU
United Kingdom
Tel: +44(0)1530 512460
Fax: +44(0)1530 512461
www.trimarkeu.com



MATERIAL:

- Robust, stamped steel construction

FINISH:

- Black e-coat

AVAILABLE:

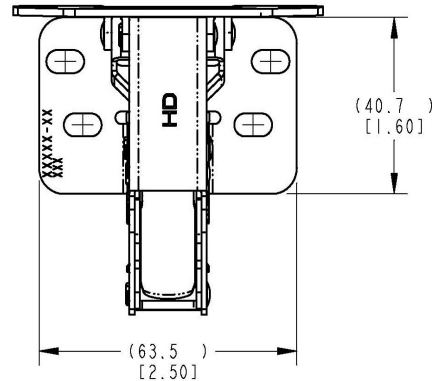
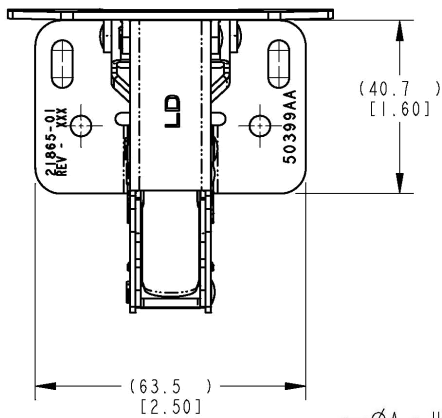
- Alternative mounting patterns
- 3 versions:
 - ◇ Light duty 4 ± 1 lbf ($1.8 \pm .45$ kgf)
 - ◇ Heavy duty 33 lbf (15 kgf)
 - ◇ Heavy duty with dampener 33 lbf (15 kgf)
- Application assistance available — please inquire

INSTALLATION:

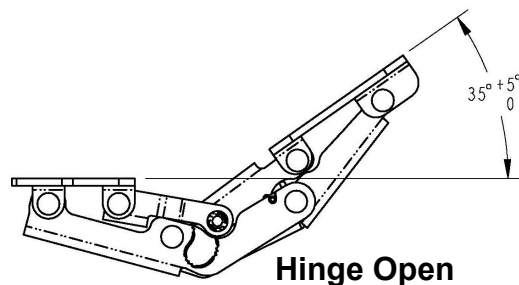
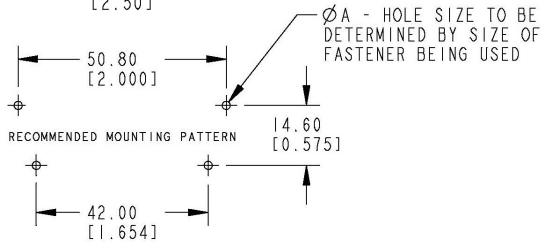
- Easy installation with (8) #8 or M4 fasteners (not included). Slotted mounting holes allow for tolerance and adjustability.

Individual part dimensions are for reference only. Refer to individual part drawings for complete dimensions, specifications, and installation procedures. Engineering assistance and application drawings are available.

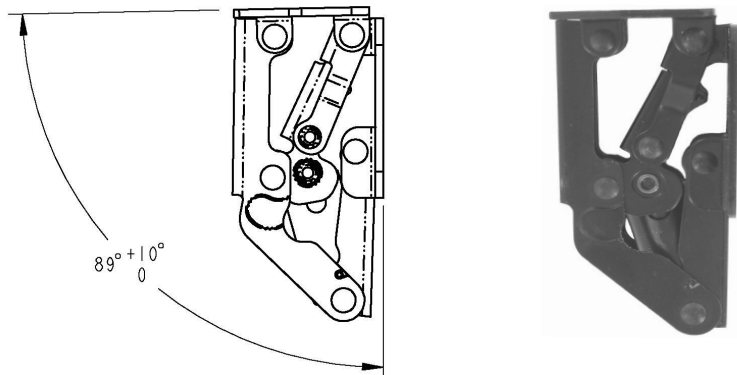
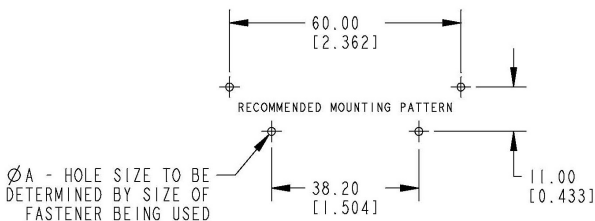
For more information visit
www.trimarkcorp.com



Alternate Mounting



Hinge Open



Hinge Closed

