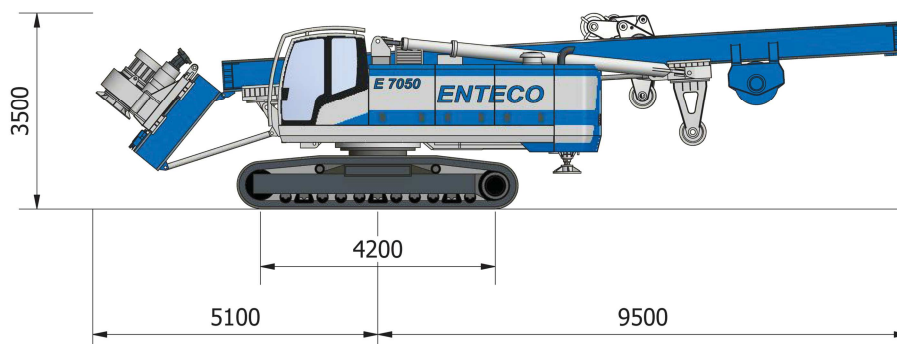
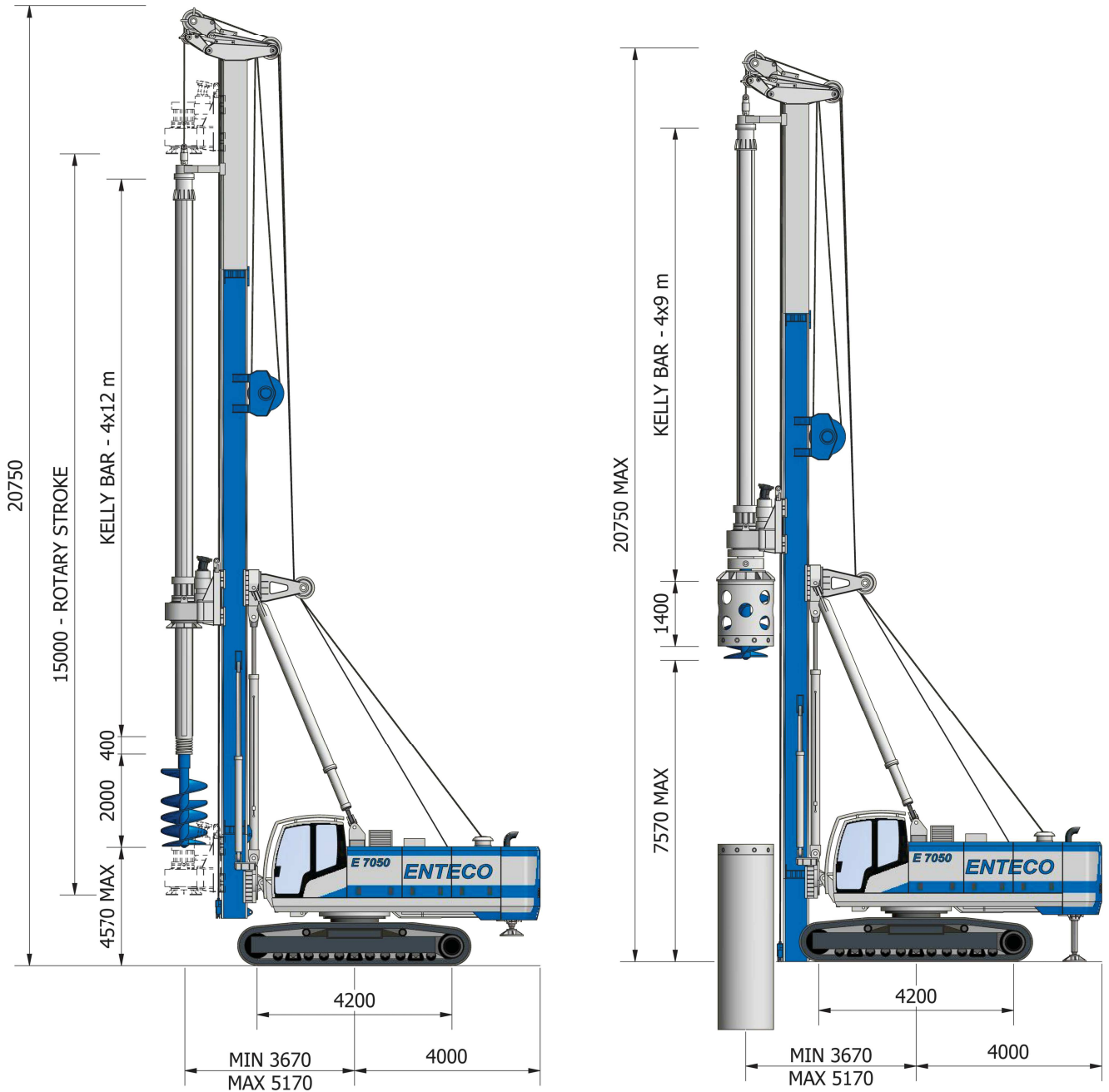


E 7050

R240

BORED PILES KIT



E 7050

R240

BORED PILES KIT



E 7050 - R240 BORED PILES KIT

OPERATING WEIGHT	ton	up to 60
-------------------------	-----	----------

Drilling diameter Auger in front of the mast	mm	1500
--	----	------

Drilling diameter with carriage spacer Auger in front of the mast	mm	1800
---	----	------

Drilling diameter Auger beneath the mast	mm	2000
--	----	------

Max drilling depth	m	54
--------------------	---	----

MAST

Mast forward stroke	mm	1500
---------------------	----	------

Front/Rear inclination		+5°/-15°
------------------------	--	----------

Side inclination		±5°
------------------	--	-----

CROWD SYSTEM

WINCH

Rotary stroke	mm	15000
---------------	----	-------

Crowd force	kN	200
-------------	----	-----

Extraction force	kN	200
------------------	----	-----

ROTARY

Model		ENTECO RH41/2
-------	--	---------------

Max torque	kNm	245
------------	-----	-----

Max drilling speed	rpm	39+60
--------------------	-----	-------

Spin-off speed	rpm	160
----------------	-----	-----

INTERLOCKING KELLY-BAR

Type - elements/length		3x9 m	3x12 m	4x9 m	4x12 m
------------------------	--	-------	--------	-------	--------

Max depth	m	24	33	32	44
-----------	---	----	----	----	----

Weight	kg	3800	5000	4300	5600
--------	----	------	------	------	------

FRICTION KELLY-BAR

Type - elements/length		5x9 m	5x12 m
------------------------	--	-------	--------

Max depth	m	40	54
-----------	---	----	----

Weight	kg	4200	5300
--------	----	------	------

E 7050 - BASE MACHINE

CRAWLERS

Overall width	mm	3000+4200
---------------	----	-----------

Track pads (900mm optional)	mm	700
-----------------------------	----	-----

Tramming speed	km/h	2
----------------	------	---

DIESEL ENGINE

Model	CATERPILLAR	C7 ACERT	C9 ACERT
-------	-------------	----------	----------

Max power	HP/kW	250/186	350/261
-----------	-------	---------	---------

Fuel tank capacity	litres	400
--------------------	--------	-----

MAIN WINCH

Max line-pull 1st layer	kN	165
-------------------------	----	-----

Free-fall device		option
------------------	--	--------

AUXILIARY WINCH

STANDARD

OPTION

Max line-pull 1st layer	kN	50	100
-------------------------	----	----	-----

Free-fall device		option	installed
------------------	--	--------	-----------



Via dell'Artigianato, 33 - Z.I. - 30020 Fossalta di Piave - VENEZIA - ITALIA
Tel +39 0421 67.99.77 - Fax +39 0421 67.99.93 - e-mail: info@entecodrill.com - www.entecodrill.com

E7050 - R240 107Q-003 20120321