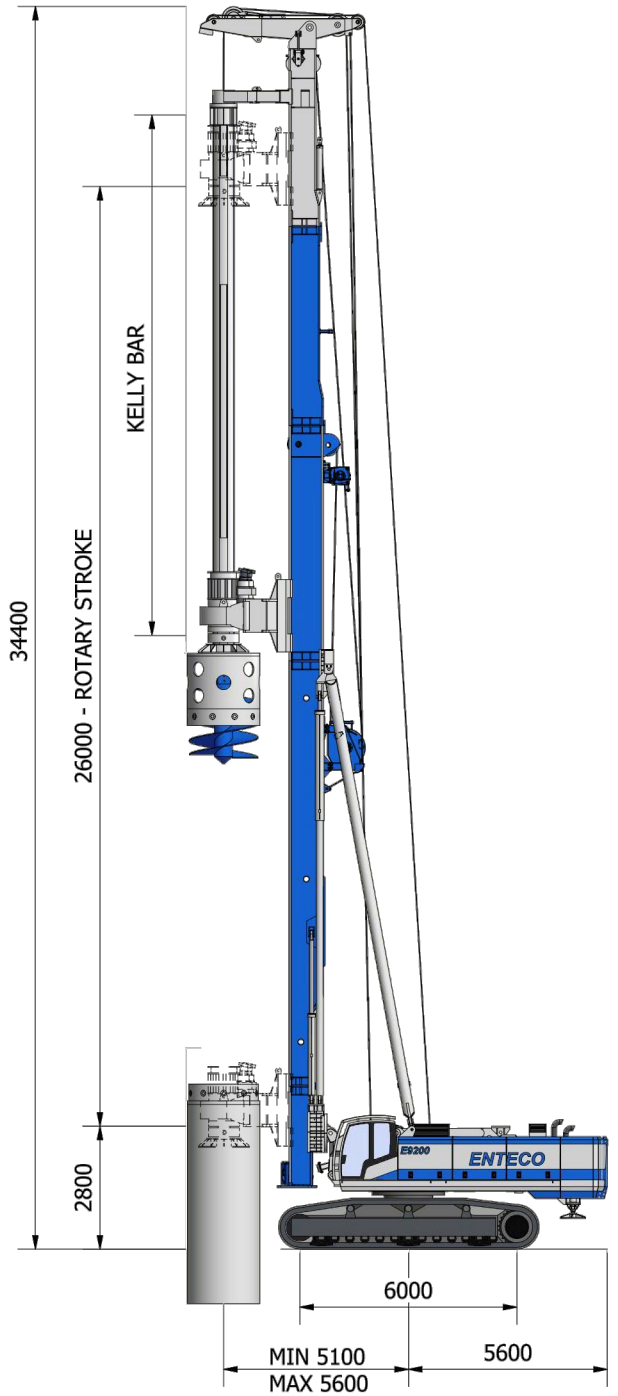
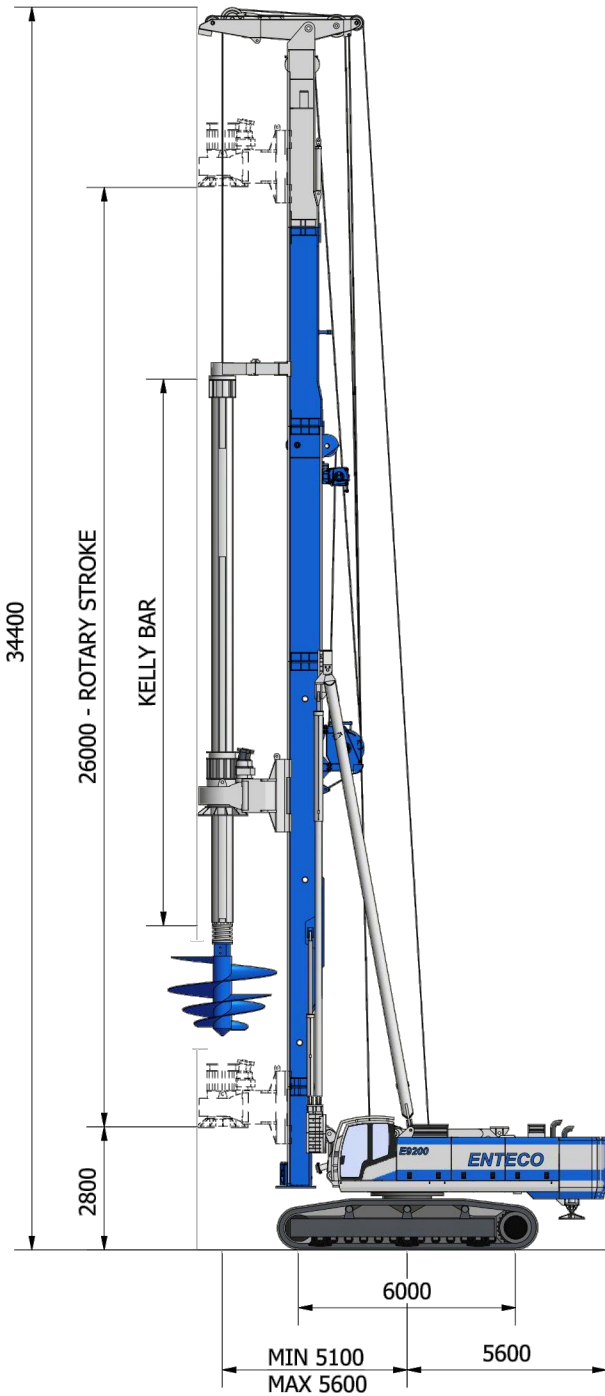


E 9200

R700

BORED PILES KIT



E 9200

R700

BORED PILES KIT



E 9200 - R700 BORED PILES KIT

OPERATING WEIGHT	ton	up to 220
Drilling diameter	mm	1000+4000
Max drilling depth	m	110

MAST

Mast vertical travel	mm	2500
----------------------	----	------

CROWD SYSTEM

WINCH

Rotary stroke	mm	26000
Crowd force	kN	600
Extraction force	kN	600

ROTARY

Model	ENTEKO RH61/4	
Max torque	kNm	760
Max drilling speed	rpm	25
Spin-off speed	rpm	130

INTERLOCKING KELLY-BAR

Type - elements/length		4x15 m	4x18 m	4x22 m
Max depth	m	54	66	82
Weight	kg	18500	22200	26000

FRICTION KELLY-BAR

Type - elements/length		5x15 m	5x18 m	5x24 m
Max depth	m	67	82	110
Weight	kg	22000	24500	29000

E 9200 - BASE MACHINE

CRAWLERS

Overall width	mm	5600
Track pads	mm	1000
Tramming speed	km/h	1.5

DIESEL ENGINE

Model	CATERPILLAR	C18 ACERT
Rated power	HP/kW	700/522
Fuel tank capacity	litres	1200

MAIN WINCH

Max line-pull 1st layer	kN	650
-------------------------	----	-----

AUXILIARY WINCH

Max line-pull 1st layer	kN	200
-------------------------	----	-----

