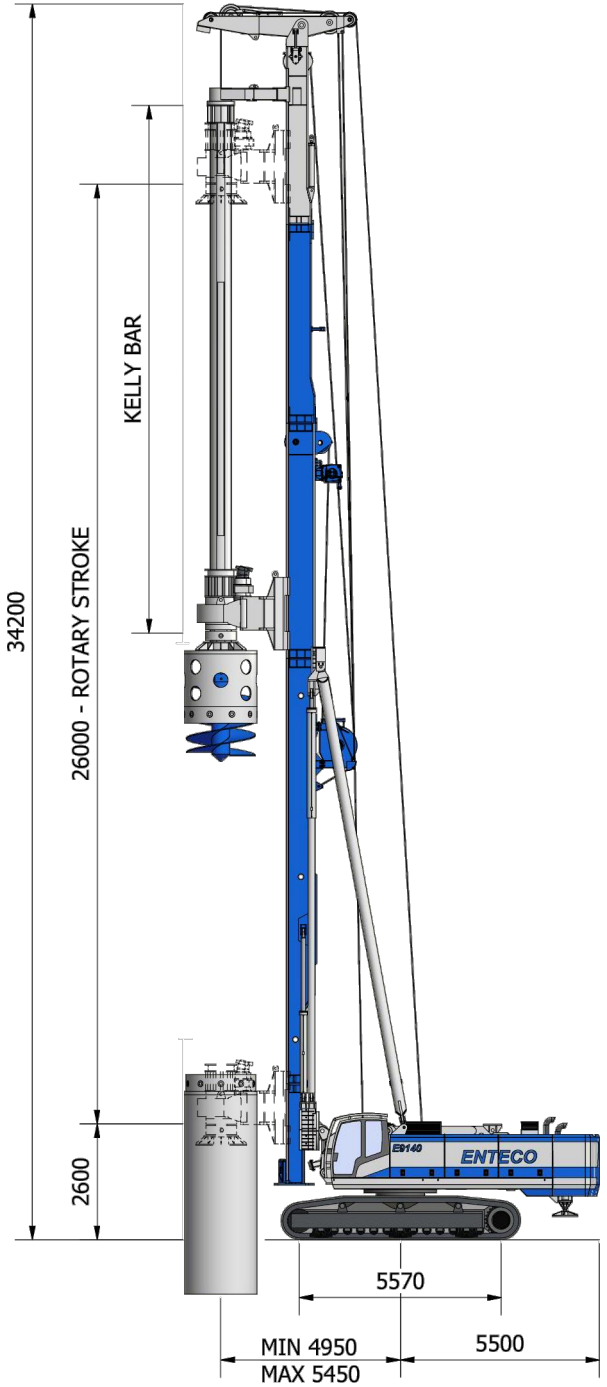
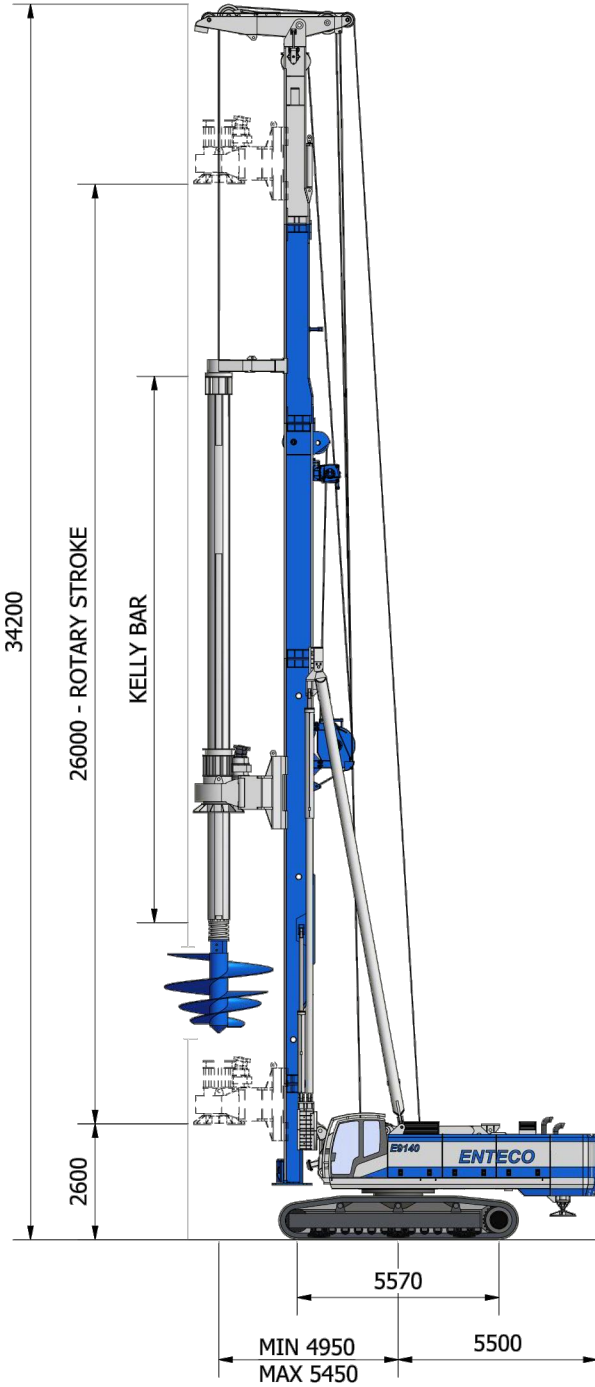


E 9140

R500

BORED PILES KIT



E 9140

R500

BORED PILES KIT



E 9140 - R500 BORED PILES KIT

OPERATING WEIGHT	ton	up to 150
Drilling diameter	mm	700+3000
Max drilling depth	m	102

MAST

Mast vertical travel	mm	2000
----------------------	----	------

CROWD SYSTEM

WINCH

Rotary stroke	mm	26000
Crowd force	kN	500
Extraction force	kN	500

ROTARY

Model	ENTECO RH61/3	
Max torque	kNm	570
Max drilling speed	rpm	25
Spin-off speed	rpm	130

INTERLOCKING KELLY-BAR

Type - elements/length		4x15 m	4x18 m	4x22 m
Max depth	m	54	66	82
Weight	kg	15800	18200	21300

FRICTION KELLY-BAR

Type - elements/length		5x15 m	5x18 m	5x22 m
Max depth	m	67	82	102
Weight	kg	18200	20800	24500

E 9140 - BASE MACHINE

CRAWLERS

Overall width	mm	3500+5100
Track pads	mm	1000
Tramming speed	km/h	1.5

DIESEL ENGINE

Model	CATERPILLAR	C18 ACERT
Rated power	HP/kW	700/522
Fuel tank capacity	litres	900

MAIN WINCH

Max line-pull 1st layer	kN	500
-------------------------	----	-----

AUXILIARY WINCH

Max line-pull 1st layer	kN	150
-------------------------	----	-----

