

TEXTURE/CURE MACHINES



GOMACO[®]

The Worldwide Leader in Concrete Paving Technology

T/C-5600 Texture/Cure Machine

- The GOMACO T/C-5600 four-track texture/cure machine has the structural integrity to apply texture and cure up to 56 feet (17.1 m) wide.
- The T/C-5600 features GOMACO's exclusive digital G+® control system with forward and reverse steering and grade control. It can be sensed off stringline or other methods from our sensor library. This provides ease of operation and accuracy while texturing and curing.
- The patented walking end car allows the T/C-5600 to turn its tracks and walk the end car in or out for additional frame sections to be added or removed.
- Tracks turn 90 degrees for easy transport. The T/C-5600 texture/cure machine's transport height is 10.4 feet (3.17 m) with the exhaust pipe removed.
- The spray bar hydraulically folds 90 degrees for transport.
- An optional hot water tank on-board the T/C-5600 texture/cure machine can be used to flush out the cure pump and nozzles at the end of each paving day.
- Available with the following options: 1.) a texturing assembly for longitudinal tining; 2.) a 10 foot (3.05 m) wide transverse tining assembly; or 3.) the single pass transverse texture/cure option with a seven foot (2.13 m) transverse tining bar and a seven foot (2.13 m) folding spray bar.



The T/C-5600 texture/cure machine is capable of tining and curing in a single pass. It can be set up for either transverse or longitudinal tining and spray.

Single Pass Transverse Texture/Cure Option

The tining broom and spray bar are each seven feet (2.13 m) long, so transverse tining and curing can be done in a single pass or in two separate operations. The single pass transverse texture/cure option for the machine has a spray bar mounted to the tining carriage. The spray bar folds in 90 degrees for transport.



Spray bar mounted to tining carriage.



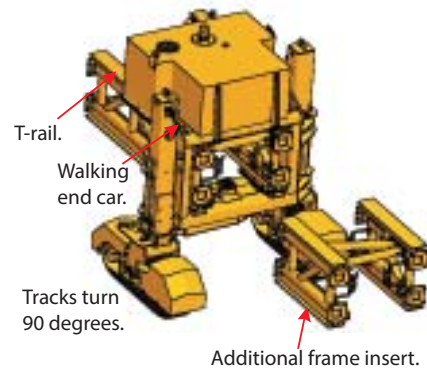
Spray bar folded in 90 degrees for transport.

Walking End Car

The T/C-5600 texture/cure machine features a walking end car with cure tank. Frame sections can be added or removed by turning the tracks 90 degrees, and walking the end car with attached cure tank to the required width. The walkway and railway telescope with the walking end car.



SH-041619-D11



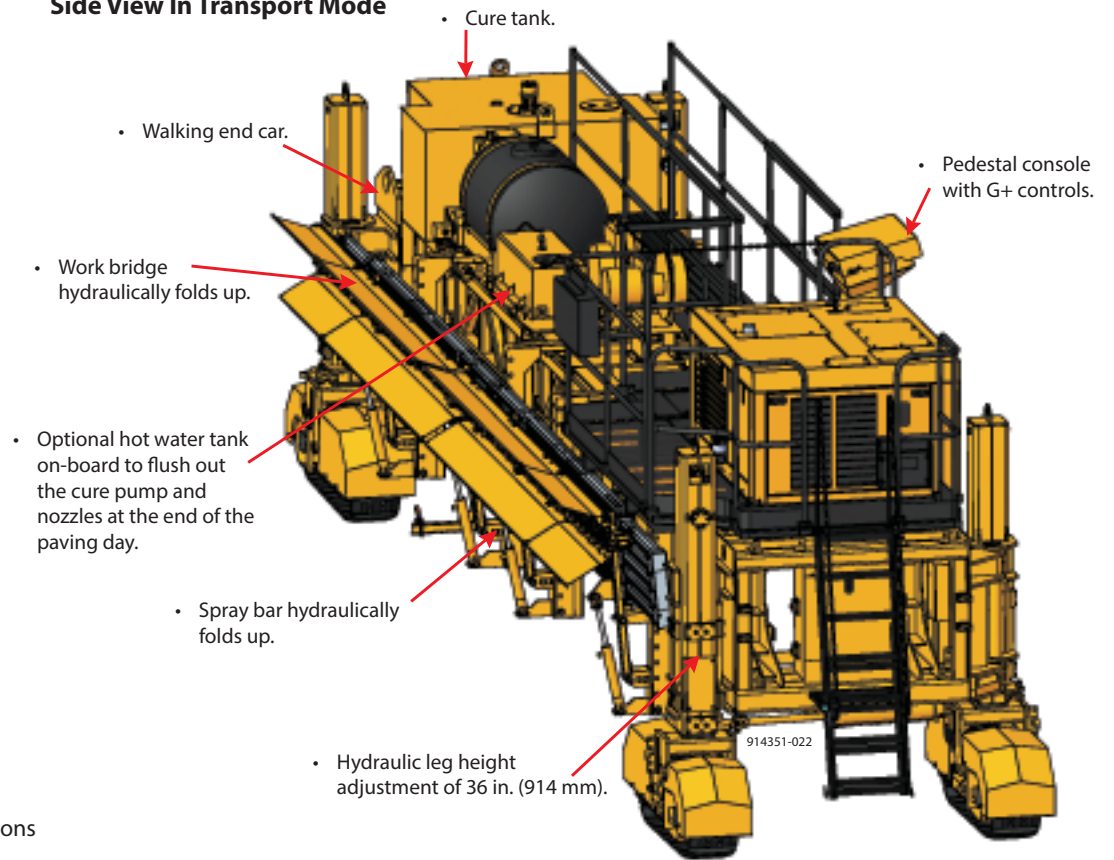
T-rail.

Walking end car.

Tracks turn 90 degrees.

Additional frame insert.

Side View In Transport Mode



• Cure tank.

• Walking end car.

• Pedestal console with G+ controls.

• Work bridge hydraulically folds up.

• Optional hot water tank on-board to flush out the cure pump and nozzles at the end of the paving day.

• Spray bar hydraulically folds up.

• Hydraulic leg height adjustment of 36 in. (914 mm).

914351-022



CL-081605-D10

The spray bar, mounted under the work bridge, provides full coverage of the concrete pavement.

G+® Controls – Designed For Concrete Paving

*It is now the technology that pulls everything together...
G+ is the center that connects all of the resources.*

Once you experience G+ controls, you won't be satisfied with anything else. It's a control system that is both easy to learn and easy to operate. G+ expresses itself in easy to understand international icons and full script explanations. It operates in all the major languages of the world and in imperial or metric units. It has a lightning-fast processing speed and features two-way communications between the accessories and G+. Its instant digital feedback combined with the tight closed-loop electronic and hydraulic control creates a G+ experience that is smooth, efficient, and accurate. There is nothing on the market that can compare, because G+ is a proprietary system that was designed by our in-house control experts incorporating what we have learned from decades of experience in the field, and from what we have learned from you, our customer.

- Machine operation is simple.
- Machine response is fast.
- Troubleshooting is pinpointed, quick, and easy.
- Fault history available.
- Control from stringline, 2D, or 3D guidance.

A flat-panel 6.5 inch (165 mm) anti-glare display screen is provided with sensor-controlled backlight levels for superior visibility in all operating conditions. The screen is rugged and shock resistant in its construction to protect against dust, moisture, and rain. G+ provides a full color display on the control panel to illustrate the various aspects of the machine for set up and operation. A "run" screen on the control panel illustrates the various aspects of the texture/cure machine. It includes leg position, travel speed and percentage of drive, steering, travel information, grade information, deviation meters, and more. Newly designed icons and color graphics make it easy to understand and easy to identify the targeted functions. G+ receives a track speed reading from pulse pickups in the track motors to give you real-time speed and total distance traveled. G+ controls feature a detailed fault history with the time stamp, date, and information to track when each fault occurred. GOMACO's G+ control system has been proven around the world.



The T/C-5600 G+ control console.



Easy To Transport

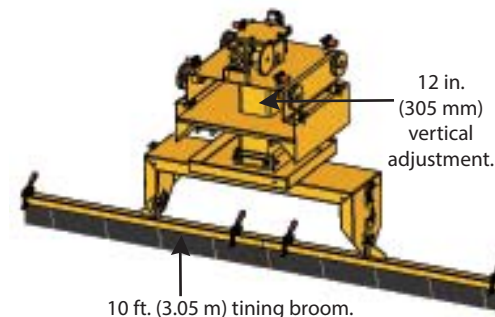
The tracks turn 90 degrees, the spray bar and the work bridge assembly fold up hydraulically to make loading and transporting the T/C-5600 texture/cure machine easy.

Transverse And Longitudinal Tining

Tracer Texture Control For Transverse and Longitudinal Tining

- The transverse tining undercarriage has 12 inches (305 mm) of hydraulic vertical height adjustment and is controlled using a sonic sensor, allowing the tining carriage to trace the slab elevation.
- A sonic sensor traces the slab with the transverse travel of the tining broom. The depth of tining is controlled by the hydraulic height adjustment on the broom carriage. This provides accurate tining depth, eliminates rail adjustments, and eliminates the need for a power transition adjuster (PTA).
- Proximity switches and an encoder are used to control the tining carriage end points and travel distance across the slab via user inputs to the G+ controller.
- The T/C-5600 is capable of advancing forward the length of the transverse tining broom with the auto-advance feature.
- Tracer Texture Control also works on transition adjustments with longitudinal tining.
- The longitudinal tining operation has a sonic sensor mounted over the center of the slab. The center assembly has 10 inches (254 mm) of hydraulic vertical height adjustment for crowning. The ends of the hinged longitudinal tining framework are used to set the tining member to grade.

Transverse Undercarriage



Longitudinal tining with a sonic sensor mounted over the center of the slab.



A burlap drag on the front of this T/C-5600 applies texture on the highway before the spray cure. The T/C-5600 is using poly-wheel sensors for grade and steering off the new roadway.

T/C-5600 Specifications

ENGINE

Consult for options available.

SERVICE CAPACITIES

Fuel tank reservoir: 30 gal. (113.6 L).

Hydraulic oil reservoir: 50 gal. (189.3 L).

AUTOMATIC CONTROL SYSTEM

Type: Electronic-over-hydraulic.

Controls: GOMACO's exclusive G+® control system features forward and reverse steering and grade control. It is sensed via stringline or other methods from our sensor library. This provides ease of operation and accuracy in texturing and curing.

TRACTION SYSTEM

Track length: 5.2 ft (1.58 m). Center-to-center sprocket and idler distance of 3.4 ft. (1.04 m).

Track width: 11.8 in. (300 mm).

Track speed: Low-range track speed up to 36 fpm (11 mpm) and a high-range track speed up to 96 fpm (29 mpm).

Hydraulic leg height adjustment: 36 in. (914 mm).

Ground pressure: 19.34 psi based on 36,920 lb. (16,747 kg) machine weight.

TRANSPORT DIMENSIONS

Transport width: 9.8 ft. (2.99 m) with spray bar folded and transverse tining broom removed.

Transport height: 10.4 ft. (3.17 m) with the exhaust pipe removed.

WEIGHT

Operating weight: 36,920 lbs. (16,747 kg) based on the machine texturing/curing a 24 ft. (7.32 m) slab.

Note: Transport and operational weights and dimensions are variable, depending on the number of machine options.

FRAME INSERTS

Insert lengths available are 4 ft. (1.22 m), 8 ft. (2.44 m), and 12 ft. (3.66 m).

CURE SYSTEM

Spraying pump (max): 29.18 gpm (110.46 lpm).

Cure tank reservoir: 300 gal. (1135.6 L).

TEXTURING ASSEMBLY

1.) Longitudinal tining.

2.) Transverse tining: 10 ft. (3.05 m) wide with 5 in. (127 mm) long wire tines spaced to meet specification requirements.

3.) Single pass transverse texture/cure option: 7 ft. (2.13 m) transverse tining bar with a 7 ft. (2.13 m) folding spray bar.

Optional: Additional wire tine texturing members are built to specifications.

OPTIONS AVAILABLE

Burlap drag.

Burlap water system.

Poly-roll attachment.

Dual cure spray bar.

Skewed tining.

Longitudinal tining.

Transverse spray bar.

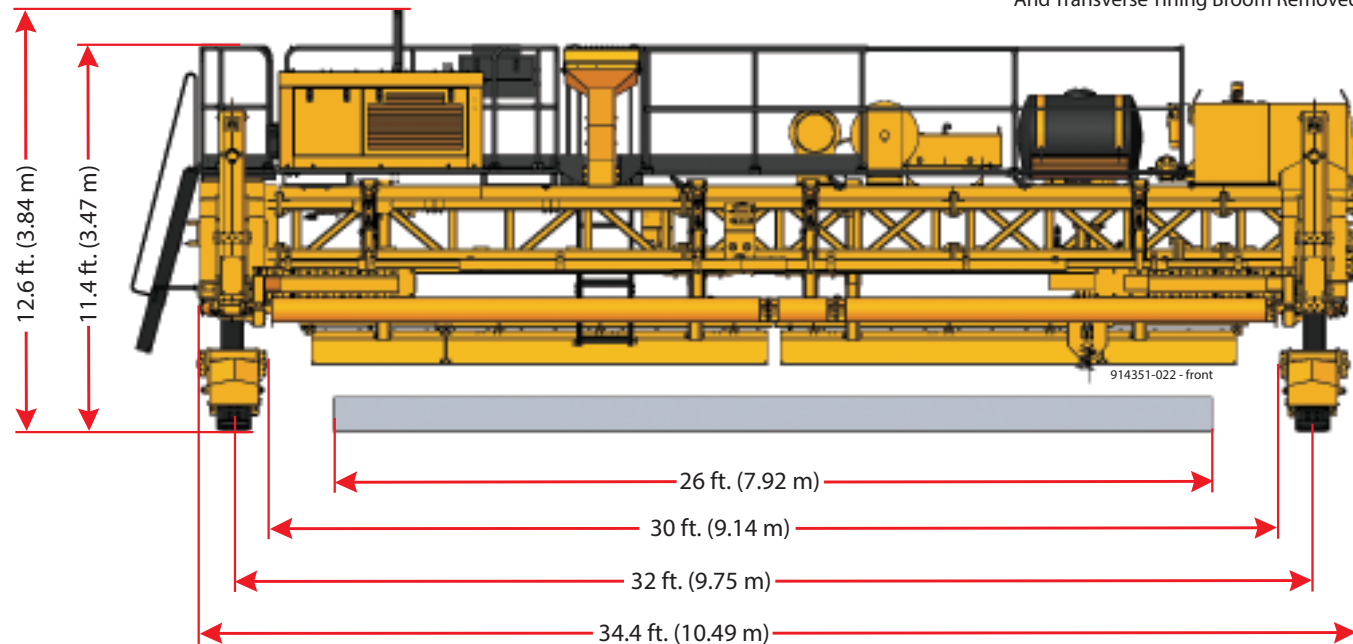
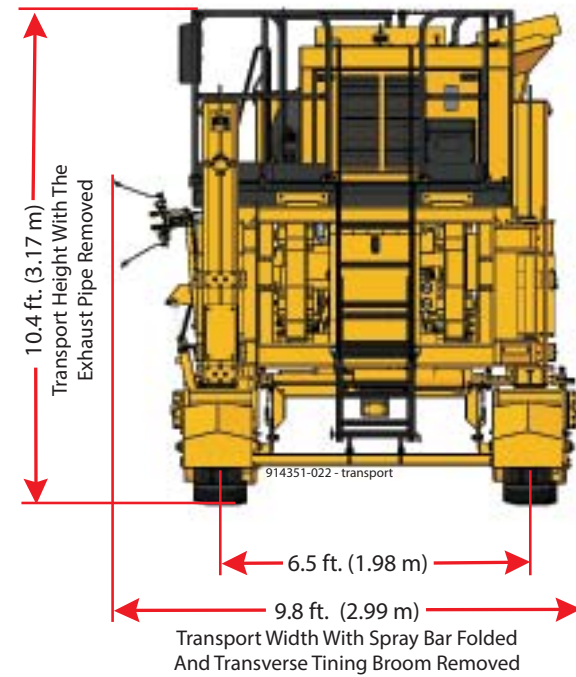
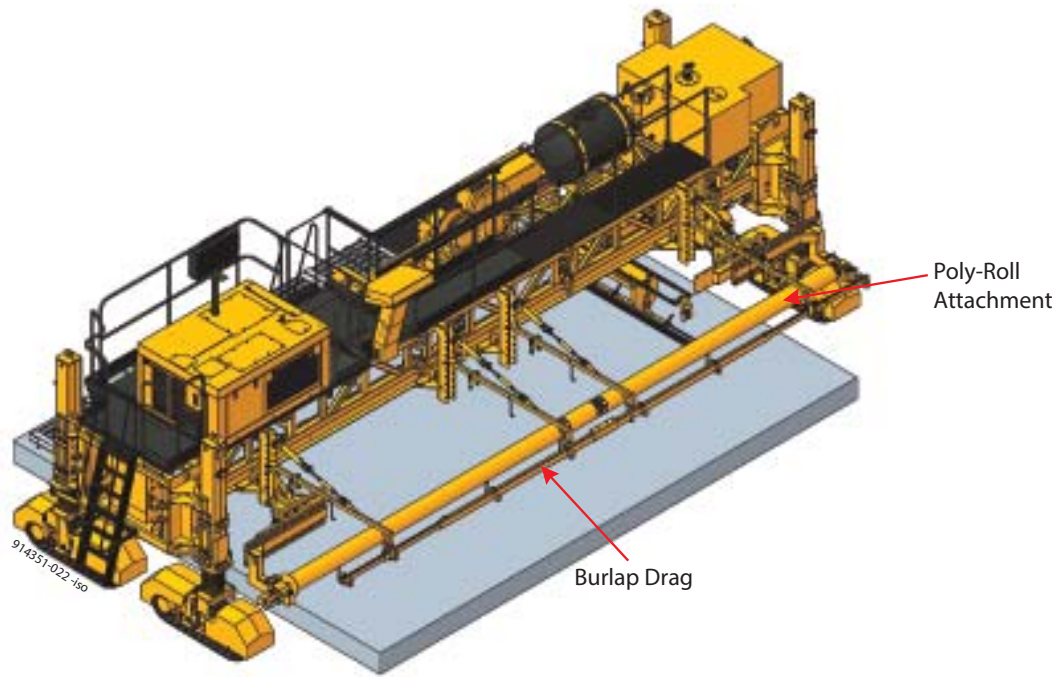
G+ sensor library.

Poly track pads.

Hot water tank.



One pass texturing and curing is possible with the four-track T/C-5600 texture/cure machine. On this project, steering is being accomplished by a standard steer sensor off the edge of the pavement and the grade is being referenced from the sonic sensors.





On this airport project, the T/C-5600 is curing 37.5 feet (11.43 m) wide on a new runway (shown above). The contractor was completing multiple paving passes each day and the T/C-5600's ability to turn its tracks 90 degrees allowed it to quickly and easily move from the end of one paving pass to the beginning of the next pass (shown to the right).

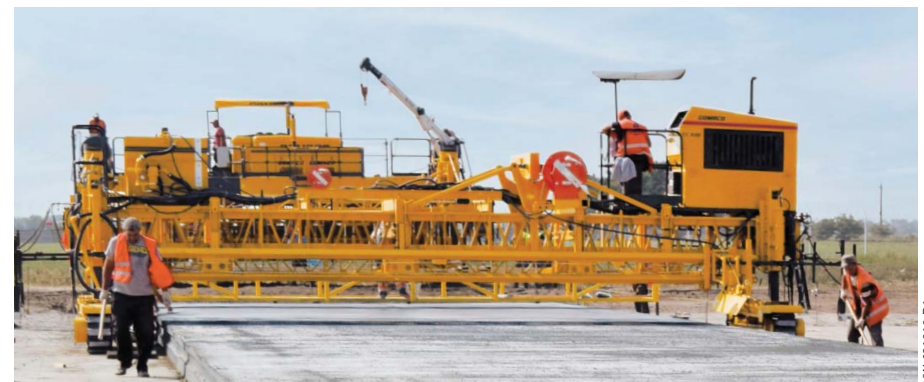


CL-051920-D12

CL-051921-D9

T/C-600 And T/C-400 Texture/Cure Machine

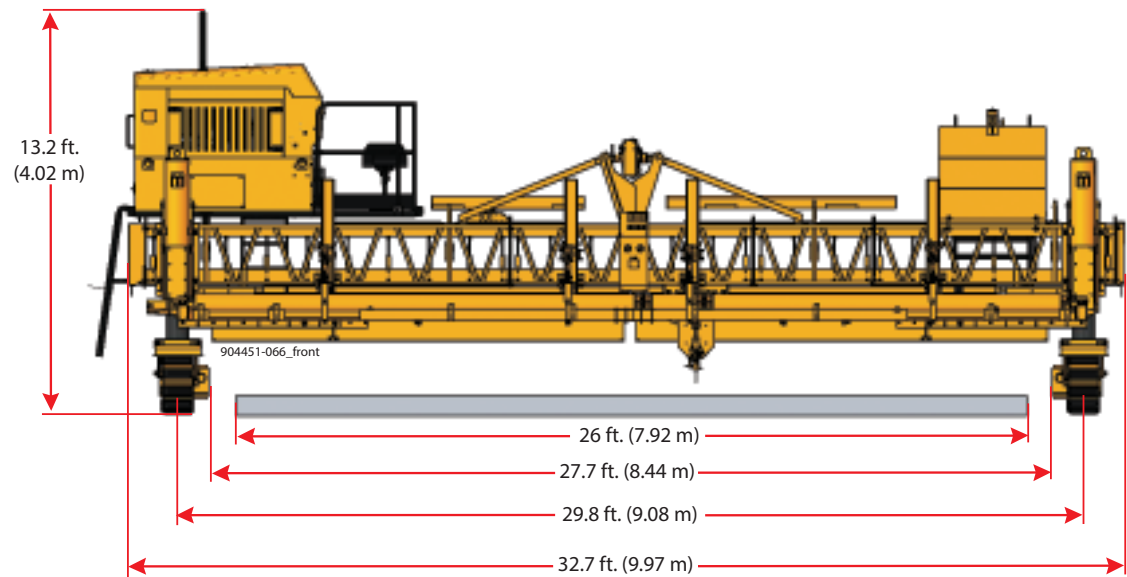
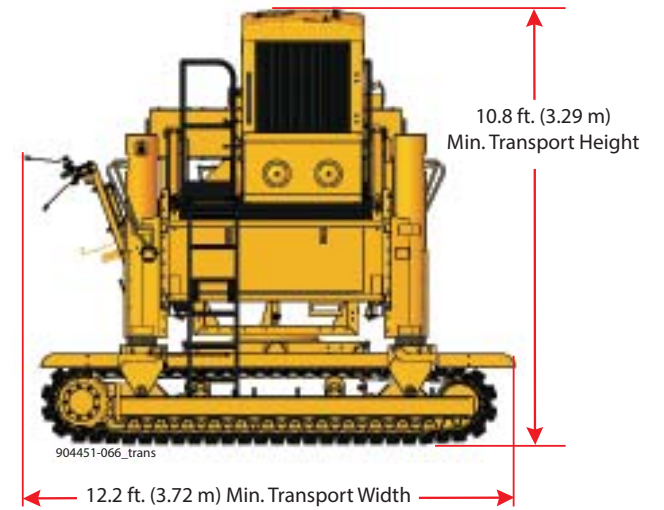
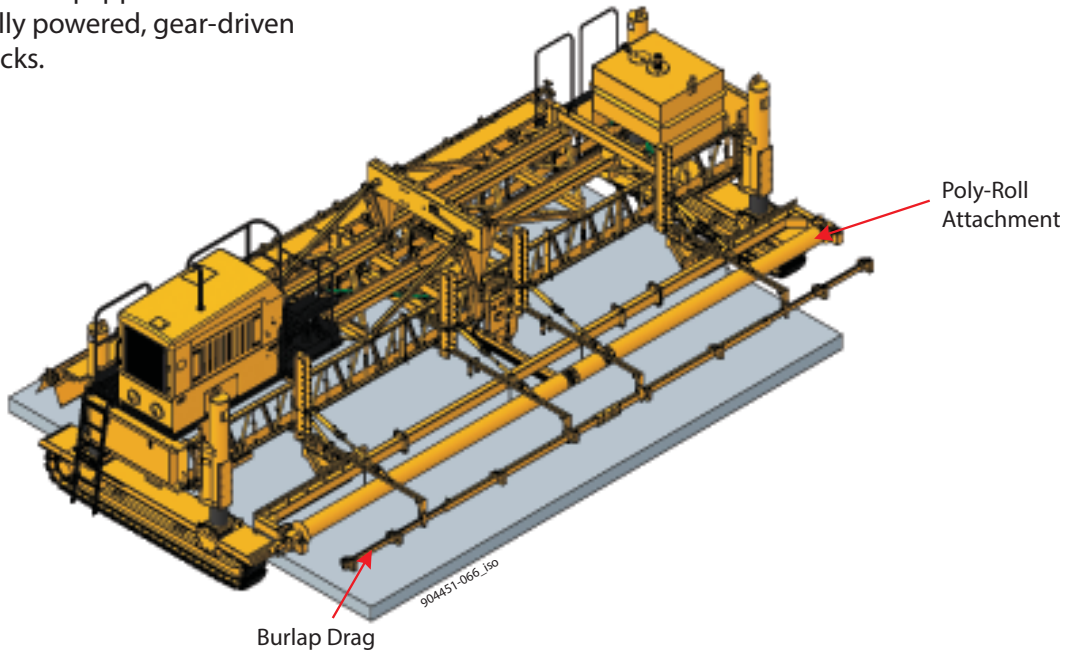
- Versatility is provided with GOMACO's texturing/curing machines. Versatility with one machine... texturing, curing, poly-roll, and burlap/astroturf drag.
- The T/C-600 accomplishes tasks quickly with its optional two-speed tracks, providing a high-range track speed up to 161 feet per minute (49 mpm). This allows the operator to keep up with the paving operation and have time to tend to other responsibilities. The low-range track speed of up to 61 feet per minute (19 mpm) provides tractive effort around and over job-site obstacles and ease in negotiating inclines during loading.
- The T/C-600 and T/C-400 frames permit width adjustments from 12 feet (3.66 m) to 48 feet (14.63 m), contact the factory for wider width needs.
- The T/C-600 is equipped with two hydraulically powered, gear-driven crawler tracks.
- The T/C-400 features two end cars, each having two hydraulically powered foam-filled rubber flotation tires.
- A central operator station and power supply provides hydraulic control from one location.
- Available with the GOMACO exclusive G+® digital control system.
- An optional power transition adjuster (PTA) hydraulically adjusts for crown height and permits on-the-go crown adjustments.
- Curing assembly includes a reservoir with hydraulic motor, pump, and controls. The spray bar has nozzles spaced 12 inches (305 mm) apart and adjustable height above the surface of the concrete for even coverage. The optional transverse curing system allows you to simultaneously texture and cure, saving you time and money.
- The texturing assembly travels transversely across the width of the concrete slab. Carriage speed is variable, up to 168 feet per minute (51 mpm). Texturing wire tine members automatically pivot to trail at the end of each pass, and adjustable pressure on surface contact between the texturing member and the concrete controls the depth and angle of the wire tines. Longitudinal texturing is available where required by project specifications.
- Extra versatility is provided with an optional burlap/astroturf drag or poly-roll which hydraulically lowers for the texturing process and raises off the slab for the curing operation.
- GOMACO's T/C-600 and T/C-400 texture/cure machines are available with a skewed tining option. The skewed tining option allows the travel of the tining bars to run a skewed path while the frame of the machine is square to the slab. It simplifies the ability to transverse tine on newly paved streets and highways requiring a skew texture.



The T/C-600 texture/cure machine follows behind the GOMACO slipform paver to complete this section of an airport runway project.

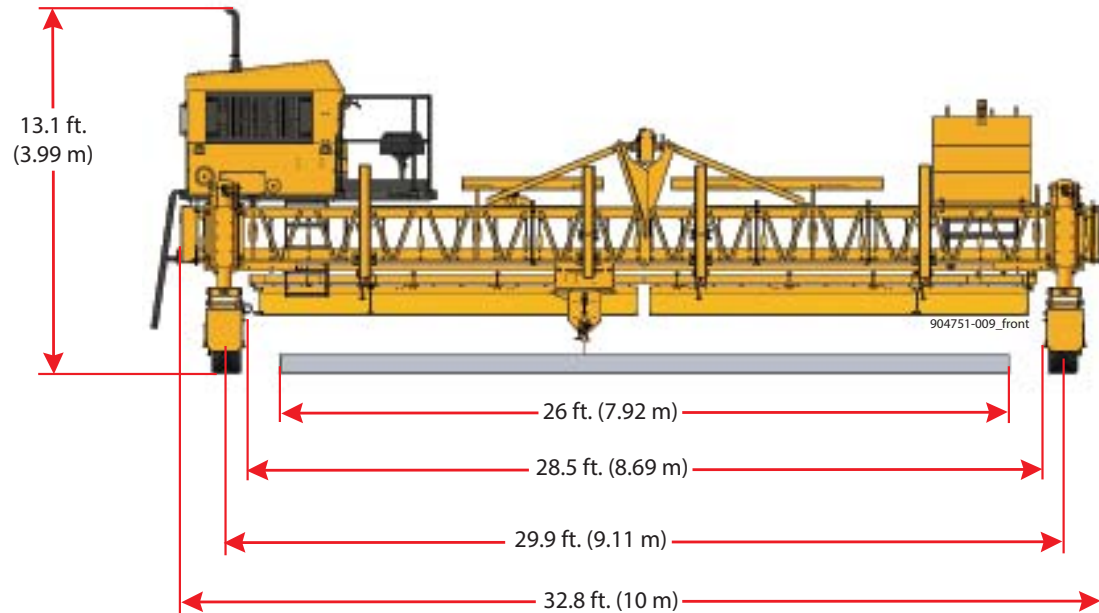
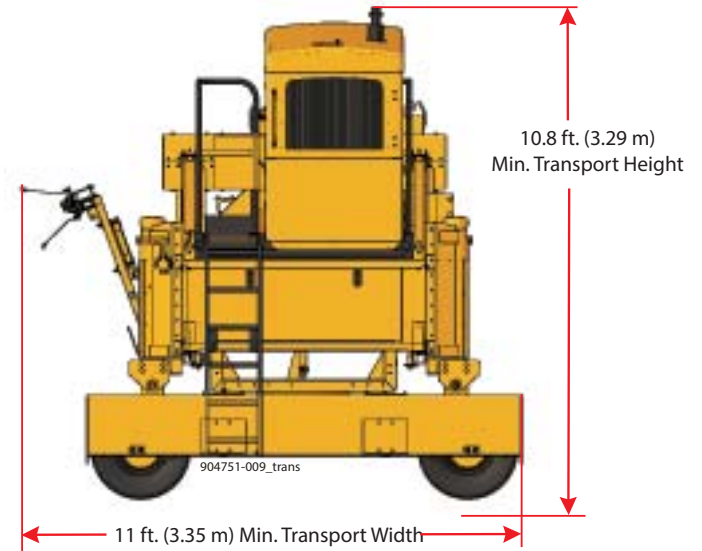
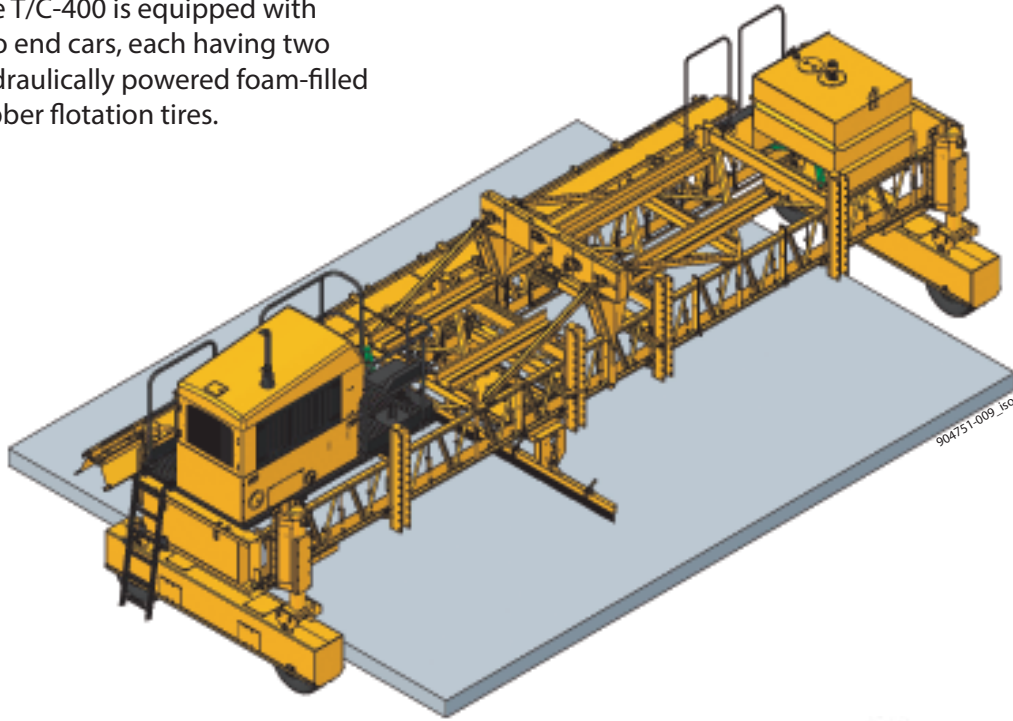
T/C-600 Dimensions

The T/C-600 is equipped with two hydraulically powered, gear-driven crawler tracks.



T/C-400 Dimensions

The T/C-400 is equipped with two end cars, each having two hydraulically powered foam-filled rubber flotation tires.





A burlap drag was added to this T/C-600 texture/cure machine to give the highway project the required texture before applying the cure.



HW-041819-D9

Using poly-wheel sensors for grade and steering off the slab, this T/C-600 texture/cure machine has a burlap drag to texture the new highway per project specifications.



HW-101809-D8

A GOMACO T/C-600 applies the spray cure to the 24.5 foot (7.47 m) wide airport lane at an international airport in the Ukraine.



HW-101234-D5

The T/C-400 texture/cure machine uses the optional tining brush to apply texture on this airport project in Mongolia.



CL-100601-D7

A GOMACO texture/cure machine can be equipped with an optional poly-roll, which can be applied to help protect the slab in the event of rain.



CL-100601-D11

An optional tining brush can be added to GOMACO's texture/cure machines to apply a lighter texture on the surface of the newly slipformed slab.



CL-120903-D12

All of GOMACO's texture/cure machines are equipped with a tining bar to apply the proper depth of texture.



HW-120909-D4

A T/C-400 comes off the header to cure a 19.7 foot (6 m) wide airport apron paving pass on an international airport in Qatar.

T/C-600 & T/C-400 Specifications

ENGINE

Consult for options available.

SERVICE CAPACITIES

Fuel reservoir: 30 gal. (113.6 L).

Hydraulic oil reservoir: 44 gal. (166.6 L).

AUTOMATIC CONTROL SYSTEM

Type: Electronic-over-hydraulic.

Controls: GOMACO's exclusive G+® control system features forward and reverse steering and grade control. It is sensed off stringline or other methods from our sensor library. This provides ease of operation and accuracy in texturing and curing.

TRACTION SYSTEM

T/C-400

Type: Two end cars, each having two hydraulically powered, foam-filled rubber flotation tires.

Tire size: 12 in. (305 mm) x 26 in. (660 mm).

T/C-600

Type: Two hydraulically powered, gear-driven crawler tracks.

Track length: 11.1 ft. (3.38 m); center-to-center sprocket/idler length, 9.4 ft. (2.87 m).

Track pad width: 11.8 in. (300 mm).

Gearbox reduction: 100:1.

Ground pressure: Based on 17,700 lb. (8029 kg) machine with weight evenly distributed, 6.65 psi.

Track speed: Variable up to 97 fpm (29.57 mpm).

Optional two-speed: Low-range track speed of 61 fpm (19 mpm) and a high-range track speed of 161 fpm (49 mpm).

Optional: Poly track pads.

FRAME

Construction: All-steel welded frame, pin-connected main frame sections.

Width: Adjustable from 12 ft. (3.66 m) up to 48 ft. (14.63 m). Standard width is 32 ft. (9.75 m). Consult for wider width needs.

Optional frame extensions: Available in 2 ft. (.61 m), 4 ft. (1.22 m), 8 ft. (2.44 m), and 12 ft. (3.66 m) lengths.

Optional power transition adjuster: Hydraulically adjusts for crown height and permits on-the-go crown adjustments.

Optional: Offset jack mounts, four to allow 2 ft. (.61 m) more between end cars without extending the main frame.

OPERATOR'S PLATFORM ASSEMBLY

Operator's platform assembly is standard on both machines.

TEXTURING ASSEMBLY

10 ft. (3.05 m) wide with 5 in. (127 mm) long wire tines spaced to meet specification requirements.

Optional: Wire tine texturing members, fast change, and built to specifications.

CURING ASSEMBLY

250 gal. (946.4 L) reservoir, pump with hydraulic motor and controls. Includes spray bar, windshield, and work platform.

Optional: 350 gal. (1324.9 L) reservoir.

Optional: Platform assembly for reusable totes provides a quick cure tote exchange.

Optional: Spray bar, windshield, and work platform extensions are available in 2 ft. (.61 m), 4 ft. (1.22 m), 8 ft. (2.44 m), and 12 ft. (3.66 m) lengths.

DIMENSIONS

T/C-400 Transport

Minimum width: 11 ft. (3.35 m).

Minimum height: 10.8 ft. (3.29 m).

T/C-600 Transport

Minimum width: 12.2 ft. (3.72 m).

Minimum height: 10.8 ft. (3.29 m).

WEIGHT (approximate) (at 32 ft. (9.75 m) standard width)

T/C-400: Basic unit 14,100 lbs. (6396 kg).

T/C-600: Basic unit at 17,700 lbs. (8029 kg).

Note: Transport and operational weights and dimensions are variable, depending on the number of machine options.

TRANSPORT AXLE (optional)

The transport axle is hydraulically powered with 6.7 in. (170 mm) x 15 in. (381 mm) 12 ply tires and removable towing tongue for job-site use only.

POLY-ROLL ATTACHMENT (optional)

Poly-roll attachment is pin-connected for quick attaching to the front of the T/C-600 texture/cure machine and is sectional for variable widths. Hydraulically driven variable speed motor, up to 40 rpm, powers the poly-roller to match ground speed. Motor is reversible or can be disconnected to allow roller to free wheel when unrolling. The poly-roller has a minimum length of 14.75 ft. (4.5 m) and can handle up to 500 ft. (152.4 m) of poly-roll depending on thickness and width of poly.

Roller extensions may be ordered for different machine widths.

Consult factory for different widths, lengths, and allowable weight of poly-roll.

ADDITIONAL OPTIONS

32 ft. (9.75 m) texturing machine only, equipped same as standard machine, less curing system.

32 ft. (9.75 m) curing machine only, equipped same as standard machine, less wire tine texturing member assembly.

Skewed tining option.

Burlap drag assembly available for both texture/cure machines.

Other options are available to customize machines to accommodate applications and customer needs.



HW-101804-D5

The T/C-600 is applying the texture and cure behind the GOMACO PS-2600 placer/spreader and the GP3 slipform paver on this newly slipformed highway project.

Cover Photo: CL-051919-D20

Manufactured under one or more of the following U.S. or foreign patents:
 7,044,680; 7,284,472; 7,517,171; 7,845,878; 7,850,395; 8,682,622; 8,855,967;
 9,051,696; 9,180,909; 9,200,414; 9,404,228; 9,428,869; 9,458,581; 9,464,716;
 9,541,195; 9,567,715; 9,624,626; 9,637,872; 9,644,328; 9,633,162; 9,670,627;
 9,739,019; 9,764,762; 9,869,063; 9,963,836; 9,982,399; 10,005,489;
 10,206,016; 10,501,913; 10,822,029; 10,829,898; 10,940,838; CA2,591,177;
 CA2,864,902; AU2018100400; AU2019100743; and patents pending.

GOMACO and G+ are registered trademarks of GOMACO Corporation.

GOMACO Corporation reserves the right to make improvements in design, material, and/or changes in specifications at any time without notice and without incurring any obligation related to such changes. Performance data is based on averages and may vary from machine to machine.

Printed in U.S.A. ©2021 (03Anderson500)
 GOMACO Corporation Order #0340-0A10129

-- DESIGNED FOR SAFETY --

The GOMACO Texture/Cure Machines are carefully designed to give years of dependable and safe service. The emergency stop buttons are on the operator's console, and on corners of the machine, which are easily accessible from the ground level. Another safety feature is a backup alarm, which is designed to alert personnel around the machine when the tracks are set to operate in reverse. Machine decals are shown as internationally recognized symbols. Other safety features include track guards, warning decals, an operator's manual, and a safety manual.

Worldwide Headquarters
 GOMACO Corporation
 PO Box 151
 Ida Grove, IA USA 51445
 Ph: 1-712-364-3347
 www.gomaco.com
 E-mail: info@gomaco.com

European Headquarters
 GOMACO International Ltd.
 Units 14 & 15
 Avenue One, Station Lane
 Witney, Oxon, OX28 4XZ, United Kingdom
 Ph: 44-1993-705100
 E-mail: pavinguk@gomaco.com



The Worldwide Leader in Concrete Paving Technology



GOMACO Corporation's Quality Management System Is
 ISO 9001 Certified By The American Systems Registrar.

Quality Policy: We Shall Meet Or
 Exceed Our Customers' Expectations.

