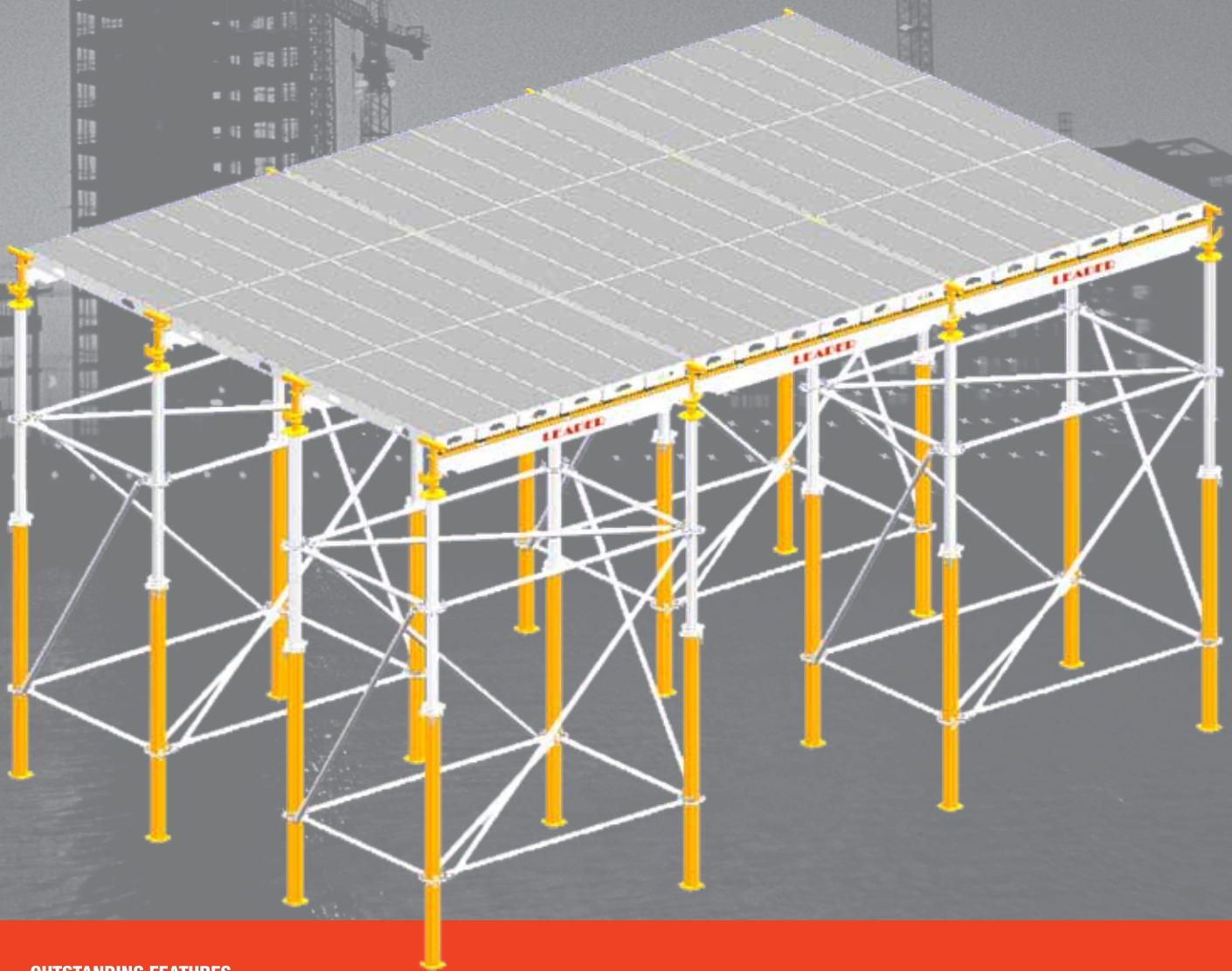


ALUMINIUM SHORING & PANEL SLAB FORMWORK SYSTEM

Your Ultimate Choice

PATENT NO. ZL200710031805.2



OUTSTANDING FEATURES

- * LIGHT WEIGHT & ROBUST
- * FEWER PROP USAGE, WIDER PROP SPACING
- * SIMPLE & EASE OPERATION
- * TOP SAFETY UTILIZATION
- * LONG LIFESPAN, LOWEST WEAR & TEAR
- * HIGH LOAD CAPACITY FOR SINGLE PROP
- * HIGH EFFICIENCY, MINIMAL LABOUR INVOLVEMENT FOR ASSEMBLING & DISMANTLING
- * MULTI-DIRECTIONAL CONNECTION AVAILABLE
- * CONVENIENT TRANSPORTATION & COMPACT STORAGE
- * INFINITY EXTEND USAGES & APPLICATIONS

MULTI PURPOSE ALUMINIUM SHORING & PANEL SLAB FORMWORK SYSTEM

Leader Aluminium Shoring & Panel Slab Formwork System providing safe, reliable and high load bearing capacity, ample construction prop spacing, simple and ease operation, minimal labour, storage and transportation cost. The system is most cost effective and can be utilized together with unique Leader GN50 Modular Aluminium Prefabricated Facade Scaffolding System.

SHORING SYSTEM WITH RIGID BRACES



▲ By utilizing the Leader Multi-directional ring connectors, either the inner and outer tube of the shoring system can be braced up to enable the most robust structure with highest stability.

PATENT DESIGN & INTERNATIONAL AWARD

Thanks to the R&D, Leader provides innovative Patented Formwork System with products deflection according to DIN 18202. Furthermore, Leader's factory achieved certification with ISO 9001 international quality management standard to evidence and guarantee the Aluminium Shoring & Panel Slab Formwork system offer excellent performance with highest safety.



▲ High Loading Capacity.

HIGH EFFICIENCY, LOW COST CONSTRUCTION METHOD

The light weight robust prop ensuring easy transportation, faster erection, high efficiency, low labour and stowing charge, providing larger and wider operation space on site, providing extremely cost effective for construction utilization.

SHORING SYSTEM WITH FRAME BRACES



▲ Leader Aluminium Shoring & Slab Formwork System can be braced with frames to be used as slab tables or shoring towers for various height. In combination with frames to achieve essential stability. The Aluminium Shoring could withhold up to 90KN thus ensure safety and rigidity while reduce the prop consumption and cut cost effectively.

LIGHT & ECONOMICAL PROPS WITH BRACES



▲ Leader GN50 Modular Aluminium Facade Scaffolding System with its tubular Vertical Standards (Thickness > 3.2mm) can be used as light duties Shoring & Panel Slab Formwork System. The vertical standards props could be flexible braced up to ensure highest stability at economical cost.

FACADE SCAFFOLDING SYSTEM



▲ The prop system utilized with Leader GN50 Modular Aluminium Scaffolding System to form suspended facade scaffolding system perfectly for wall construction and refurbishing purposes.



AMP 250 350 480 625

Prop Model	AMP120	AMP250	AMP350	AMP480	AMP625
Min. Length (mm)	800	1450	1980	2600	4300
Max. Length (mm)	1200	2500	3500	4800	6250
A (mm)	715	1365	1865	2515	4211
B (mm)	421	1071	1571	2221	1975
Weight (Kg)	10.9	15.5	19.3	24.3	34.1
Min ~ Max Load (kg)	70~90	60~70	42~88	25~85	20~56

*Allowable Prop Load (KN) according to type inspection.

Extended Height (m)	AMP 250 L = 1.45 – 2.50m		AMP 350 L = 1.95 – 3.50m		AMP 480 L = 2.60 – 4.80m		AMP 625 L = 4.30 – 6.25m	
	Outer Tube at bottom	Inner Tube at bottom	Outer Tube at bottom	Inner Tube at bottom	Outer Tube at bottom	Inner Tube at bottom	Outer Tube at bottom	Inner Tube at bottom
1.45	73	76						
1.50	73	76						
1.60	73	76						
1.70	73	76						
1.80	71	76						
1.90	68	76						
1.95	67	76	88	87				
2.00	65	76	88	87				
2.10	63	74	83	87				
2.20	62	73	77	87				
2.30	61	70	72	86				
2.40	60	67	68	85				
2.50	60	63	64	83				
2.60			61	80	85	71		
2.70			59	77	81	71		
2.80			57	74	76	70		
2.90			55	71	71	70		
3.00			54	68	67	70		
3.10			52	64	63	69		
3.20			51	60	58	68		
3.30			49	55	54	67		
3.40			46	50	52	66		
3.50			42	45	50	64		
3.60					47	62		
3.70					46	58		
3.80					44	54		
3.90					42	50		
4.00					40	46		
4.10					38	43		
4.20					36	40		
4.30					34	38	56	44
4.40					32	36	54	44
4.50					31	33	53	44
4.60					29	31	50	43
4.70					27	29	48	43
4.80					25	27	46	42
4.90							43	41
5.00							41	40
5.10							38	38
5.20							36	37
5.30							33	35
5.40							31	34
5.50							29	33
5.60							28	31
5.70							26	30
5.80							25	28
5.90							24	27
6.00							23	25
6.10							22	24
6.20							20	22
6.25							20	22

SGS Load Certification in compliance with Australian Standard AS3610-1995 Formwork for Concrete™

CODE	CODE NO.
AMP120	3 09 1200
AMP250	3 09 2500
AMP350	3 09 3500
AMP480	3 09 4800
AMP625	3 09 6250

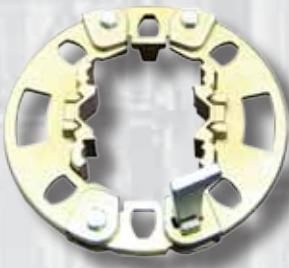


PROP KEY FEATURES



- By employing the four start screw thread for the inner tube adjustment with the cast steel collar screw enables height adjustment of 36mm for each revolution which is 25% faster and 3 times in adjusting efficiency compared to adjustment for conventional steel prop.
- The inner tube pattern and thread design ensuring self concrete cleaning function and the screw running free without jam even in extremely contaminated condition.
- Inner tube equipped with indication or measuring tape allowing fast pre-adjustment and reduce labor time spent on measuring and leveling.
- The prop also provide a safe stopping device to provide the inner tube slide out accidentally during unscrewing adjustment.
- The outer tube are powder coated to avoid concrete adhering.

MULTI-DIRECTION RING CONNECTOR



- Multi-direction design, simple bracing easily for both outer and inner tube of the prop enable stiff and robust structure with highest stability.

DROPHEAD & PROPHEAD



- Steel connector that enables stiff and stable connection between the shoring and the main beams.
- Easy and simple connection ready by simple insertion and latch location.

HORIZONTAL PANEL SLAB INSTALLATION



- Simple placement in position.
- Prefabricated components, various size easily available to fit in any complicated construction environment.

ALUMINIUM PANEL



- Panel made by light weight high robust aluminium.
- The slab deck installation panel utilizing light weight plywood with anti-corrosive coating.

ALUMINIUM MAIN BEAMS



- Beams made by light weight, high tensile robust aluminium alloy that enable high loading capacity, reducing the number of props required.
- Prefabricated component, simple and easy to assemble.

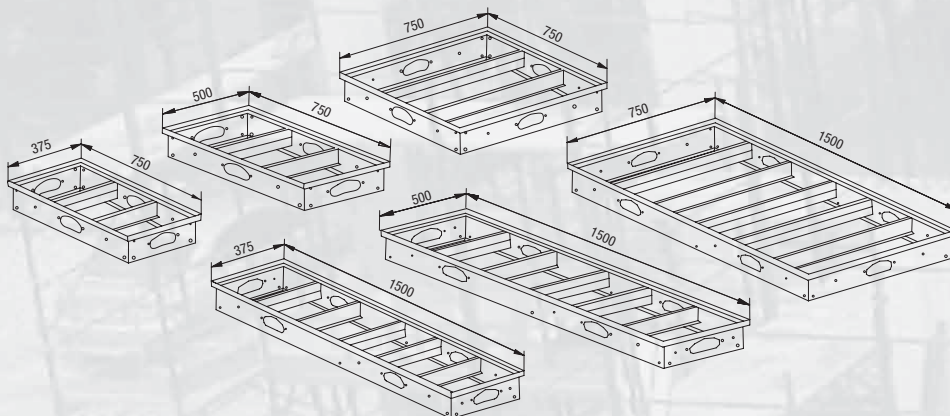
STORAGE



- Compact stowing package reducing storage and transportation cost.

BASIC COMPONENTS, SPECIFICATIONS & ACCESSORIES

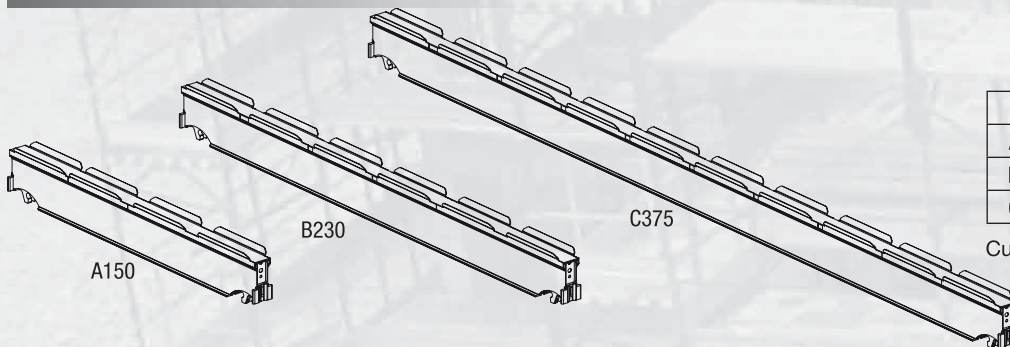
ALUMINIUM FORMWORKS



Code	Code No.	Size (mm)	Weight (kg)
ACM01	3 01 3775	370 x 750	5.6
ACM02	3 01 3715	370 x 1500	10.6
ACM03	3 01 5075	500 x 750	6.6
ACM04	3 01 5015	500 x 1500	12.6
ACM05	3 01 7575	750 x 750	7.6
ACM06	3 01 7515	750 x 1500	13.6

Strong anti-corrosive coating on the panel. The plywood (optional to be supplied) can be reused many times upon proper utilization after concrete molding. Deflection tolerance in accordance with DIN 18202 at perfect levelling.

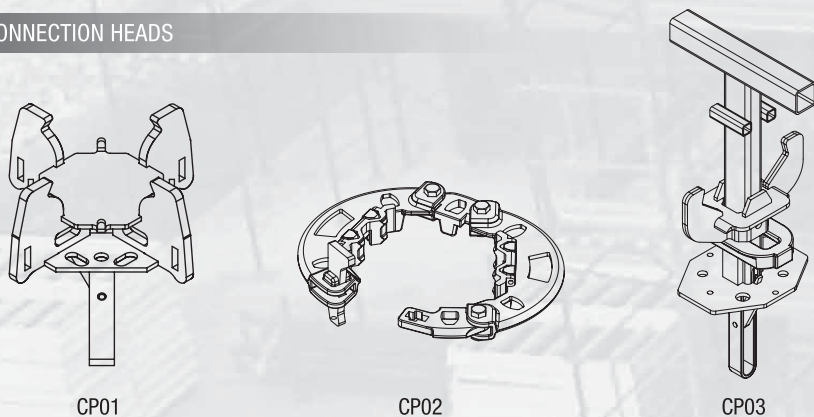
ALUMINIUM BEAMS



Code	Code No.	Size (mm)	Weight (kg)
A150	3 02 1500	1500	5.6
B230	3 02 2300	2300	10.6
C375	3 02 3750	3750	16.6

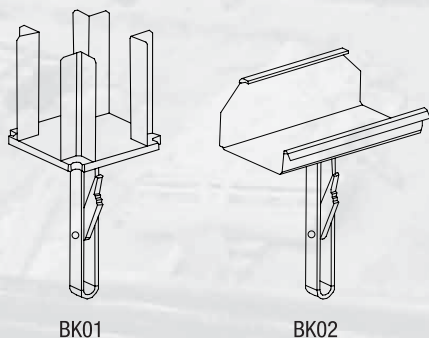
Custom made sizes available on request.

CONNECTION HEADS



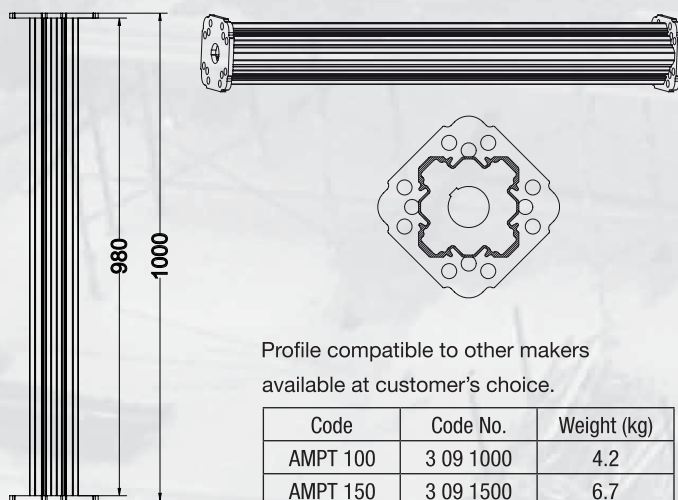
Code	Code No.	Weight (kg)
CP01	3 03 0001	3.8
CP02	3 03 0002	3.0
CP03	3 03 0003	6.6

SUPPORT BRACKET FOR WOODEN BEAMS



Code	Code No.	Weight (kg)
BK01	3 04 0001	2.6
BK02	3 04 0002	2.2

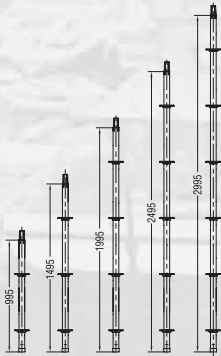
EXTENSION PROP



Profile compatible to other makers available at customer's choice.

Code	Code No.	Weight (kg)
AMPT 100	3 09 1000	4.2
AMPT 150	3 09 1500	6.7

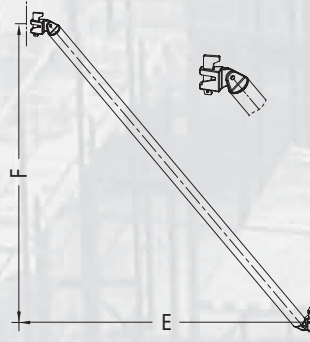
VERTICAL STANDARDS



Rung to rung 500mm.
Tube : $\phi 50.8 \times 3.2\text{mm}$

Code	Length	Weight	Code No.
VS2-S	1.0m	3.8kg	2 01 0501
VS3-S	1.5m	4.4kg	2 01 0502
VS4-S	2.0m	5.1kg	2 01 0503
VS5-S	2.5m	5.7kg	2 01 2004
VS6-S	3.0m	6.8kg	2 01 2005

DIAGONAL BRACES

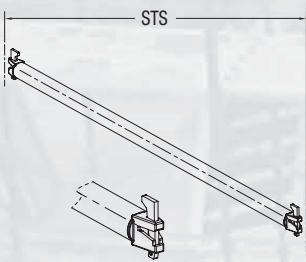


Tube : $\phi 50.8 \times 3.2\text{mm}$

Custom made dimensions available

Code	Size (ExF)	Weight	Code No.
DB2007	0.75 x 2.0m	5.2kg	3 06 2007
DB2015	1.5 x 2.0m	5.4kg	3 06 2015
DB2023	2.3 x 2.0m	5.6kg	3 06 2023
DB2037	3.7 x 2.0m	7.4kg	3 06 2037

HORIZONTAL BRACES

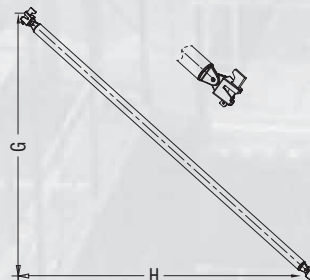


Tube : $\phi 50.8 \times 3.2\text{mm}$
Custom made dimensions available

Code	STS	Weight	Code No.
HB0107	0.75m	2.1kg	3 05 0107
HB0115	1.50m	3.0kg	3 05 0115
HB0215	1.50m	3.0kg	3 05 0215
HB0223	2.3m	4.1kg	3 05 0223
HB0237	3.75m	5.9kg	3 05 0237

STS - Side to Side

LEVEL BRACES



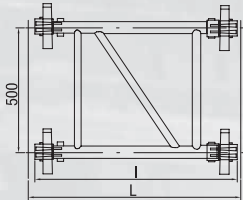
Tube : $\phi 50.8 \times 3.2\text{mm}$

Custom made dimensions available

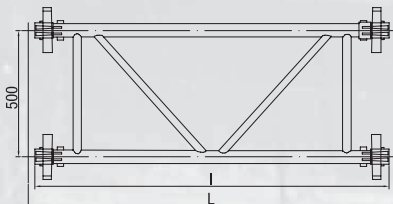
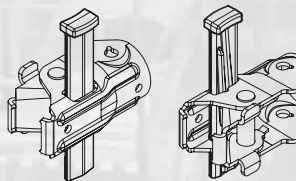
Code	Size (GxH)	Weight	Code No.
LB0715	0.75 x 1.5m	4.4kg	3 07 0715
LB1523	1.5 x 2.3m	4.8kg	3 07 1216
LB0723	0.75 x 2.3m	5.2kg	3 07 0620
LB0737	0.75 x 3.75m	5.6kg	3 07 0625
LB1537	1.5 x 3.75m	6.0kg	3 07 0630

ALUMINIUM FRAMES

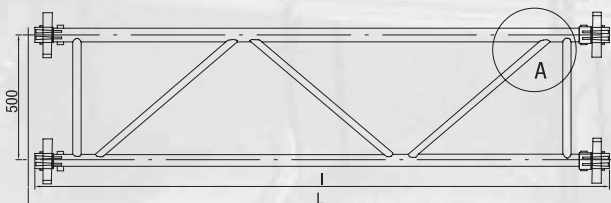
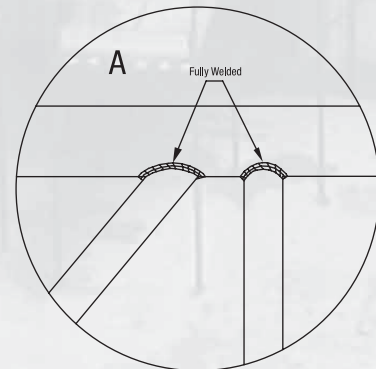
Each frame equipped with four wedge lock and can be assembling and disassembling easily onto both inner and outer tube, enable fast erection to utilize as slab tables or shoring towers. The large choice of frame dimensions / specifications enable large range of applications and the special wedge lock design enable robust clamping and rigidity to ensure highest stability.



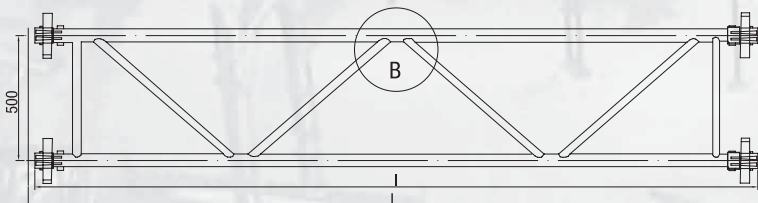
	AMRK75	AMRK90
L	0.75m	0.90m
I	0.67m	0.82m



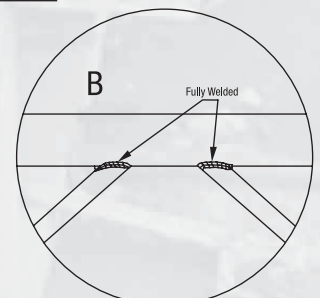
	AMRK120	AMRK137.5	AMRK150
L	0.75m	0.90m	1.50m
I	0.67m	0.82m	1.42m



	AMRK201.5	AMRK225	AMRK230	AMRK237
L	0.75m	0.90m	1.50m	2.37m
I	0.67m	0.82m	1.42m	2.29m



	AMRK266	AMRK296
L	2.66m	2.96m
I	2.58m	2.88m



All horizontal beams $\phi 48 \times 4\text{mm}$, / Vertical and Inclined beams $\phi 30 \times 2.5\text{mm}$

Continuous improvement of products is a Leader policy, product specifications are subject to change without obligations.



DISTRIBUTED BY:

SOLE AGENT (HONG KONG) :

 **AVION ACCESS CO. LTD.**
恒迅工程有限公司

Unit D, 1/F., Fung Yip Ind. Bldg. 170 Wai Yip St., Kwun Tong, Kowloon, H.K.
Tel: (852) 2744 2111 Fax: (852) 2796 2882
info@avion.com.hk www.avion.com.hk

FACTORY :

LEADER 易達® | 廣州藝達
GUANGZHOU LEADER EQUIPMENT LTD.

Tan Bu Industrial Park, Tan Bu, Hua Du Qu,
Guangzhou, Post Code 510820, China
Tel: (86) 20-8674 7299 Fax: (86) 20-8674 1177 www.leaderlift.cn