

## FIBERGLASS MOBILE SCAFFOLD TOWER

PATENT NO. ZL200420102052.1

### KEY FEATURES

- \* HIGHEST RIGIDITY EVER
- \* FIRST NON DECENDING JOINTS
- \* NON-CONDUCTIVE
- \* NON-OXIDIZING
- \* NON-CORROSIVE
- \* NON-SPARKING

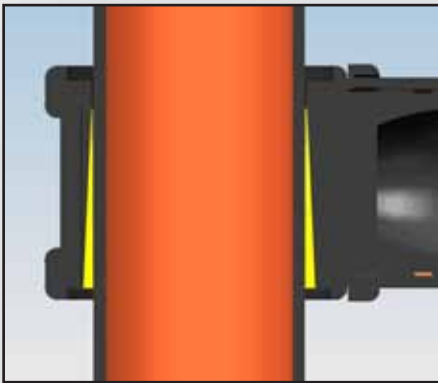


# PATENTED FIBERGLASS MOBILE SCAFFOLD TOWER

In difference to most Fiberglass Scaffold manufacturers, Leader Fiberglass Mobile Scaffold Towers are fabricated and constructed with extraordinary unique patented Anti-Fall Joint design. The unique joint design entirely eliminate the problem of using unsecured adhesive binding joints in conventional GRP Towers and totally avoid disconnection of joints thus ensuring highest safety and best rigid structure among the insulation scaffolds ever existing.

## THE BEST IN STRUCTURE

- Structural components made by fiberglass reinforce nylon material with high yield stress and strain to resist strong impact force.
- Main tube made by fiberglass reinforce resin material with high tensile strength.
- Insulation Scaffolding for easy operation, safest and highest rigidity utilizing worldwide.



### ▲ NON-DECENDING T-JOINTS

Patented unique stable wedge design assures Anti-Fall Connection with its superior stable performance distinguishly overwhelms any similar products worldwide.



### ▲ DIAGONAL STRUTS

The built in diagonal struts minimize frame deformation and enable additional rigidity and best stability.



### ▲ FRAMES BUILT IN VERTICAL LADDER

Insulation scaffold system equipped with the most convenient built in vertical ladders, which reduce the quantity of components utilizing at same height and also ensures safety ladder access for operatives.

## PATENT DESIGN & INTERNATIONAL AWARD

Thanks to the R&D, Leader provides innovative Patented Mobile Fiberglass Scaffold Tower ensures product deflection according to DIN4422, DIN4420 and design compliance with European Standard EN1004 : 2004, certified by China National Electric Industry quality Safety equipment control & Testing Center. Moreover, Leader's factory achieved certification with ISO 9001 international quality management standard to evidence and guarantee this optimum Fiberglass Mobile Scaffold Tower System offer excellent stable performance with highest safety.



## FOR ZONE 1 – EXPLOSIVE ATMOSPHERE RISK AREA



### NON-CONDUCTIVE

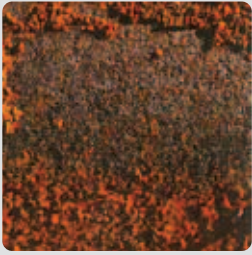
Its Non-Conductive characteristic generally are for using in power supply installation, maintenance work to ensure safety. **Suitable to be used in electrical engineering, railway and power generation engineering work.**



### CORROSIVE RESISTANCE

The System is non-corrosive which is resistance to electrolytic corrosion caused by salt water or deterioration and damages by contact with gasoline, oils, lacquers, emulsion and those solvents mostly found in industrial sites.

**Suitable to be used in Chemical Industry, oil refineries and off shore platforms.**



### ANTI-OXIDIZING

Leader Fiberglass Scaffold Tower System has special insulation and resist to oxidation, users can keep the work surface clean without residue.

**Suitable to be used in food, medical and drug manufacturer where sensitive hygiene is required.**



### NON-SPARKING

Despite of many Industrial application yields hazardous static electricity, this insulation scaffolding is non sparking.

**Suitable to be used safely in area where dust, vapour, flammable or combustible products exist.**

## SINGLE WIDTH TOWER

- Suitable for working in limited Space.
- Option to be equipped with vertical or incline ladders and clip on ladders.
- Compact design easily pass through normal doors or pedestrian access.
- Light, solid & compact size, easy assemble & dismantle, easy loading by small trucks.

### DIMENSIONS

Width: 0.75m / 0.85m Length: 1.8m / 2.0m / 2.5m

500 SERIES	Working Height (m)	4.1	4.6	5.1	6.1	6.6	7.1	7.6	8.2	8.7	9.2	10.2	10.7	11.2	11.7	12.2	12.7	13.2	13.7
	Platform Height (m)	2.1	2.6	3.1	4.1	4.6	5.1	5.6	6.2	6.7	7.2	8.2	8.7	9.2	9.7	10.2	10.7	11.2	11.7
460 SERIES	Working Height (m)	4.34	4.81	5.27	5.73	6.20	6.66	7.13	7.59	8.05	8.52	8.98	9.45	9.91	10.37	10.84	11.30	11.77	12.23
	Platform Height (m)	2.34	2.81	3.27	3.73	4.20	4.66	5.13	5.59	6.05	6.52	6.98	7.45	7.91	8.37	8.84	9.30	9.77	10.23



## DOUBLE WIDTH TOWER

- Suitable for construction and industrial use.
- Vertical ladder structure provides maximum work space and reduces the erection time.
- Proper combination of design with greater flexibility to improve utilization efficiency.

### DIMENSIONS

Width: 1.35m / 1.45m Length: 1.8m / 2.0m / 2.5m

500 SERIES	Working Height (m)	4.1	4.6	5.1	6.1	6.6	7.1	7.6	8.2	8.7	9.2	10.2	10.7	11.2	11.7	12.2	12.7	13.2	13.7
	Platform Height (m)	2.1	2.6	3.1	4.1	4.6	5.1	5.6	6.2	6.7	7.2	8.2	8.7	9.2	9.7	10.2	10.7	11.2	11.7
460 SERIES	Working Height (m)	4.34	4.81	5.27	5.73	6.20	6.66	7.13	7.59	8.05	8.52	8.98	9.45	9.91	10.37	10.84	11.30	11.77	12.23
	Platform Height (m)	2.34	2.81	3.27	3.73	4.20	4.66	5.13	5.59	6.05	6.52	6.98	7.45	7.91	8.37	8.84	9.30	9.77	10.23



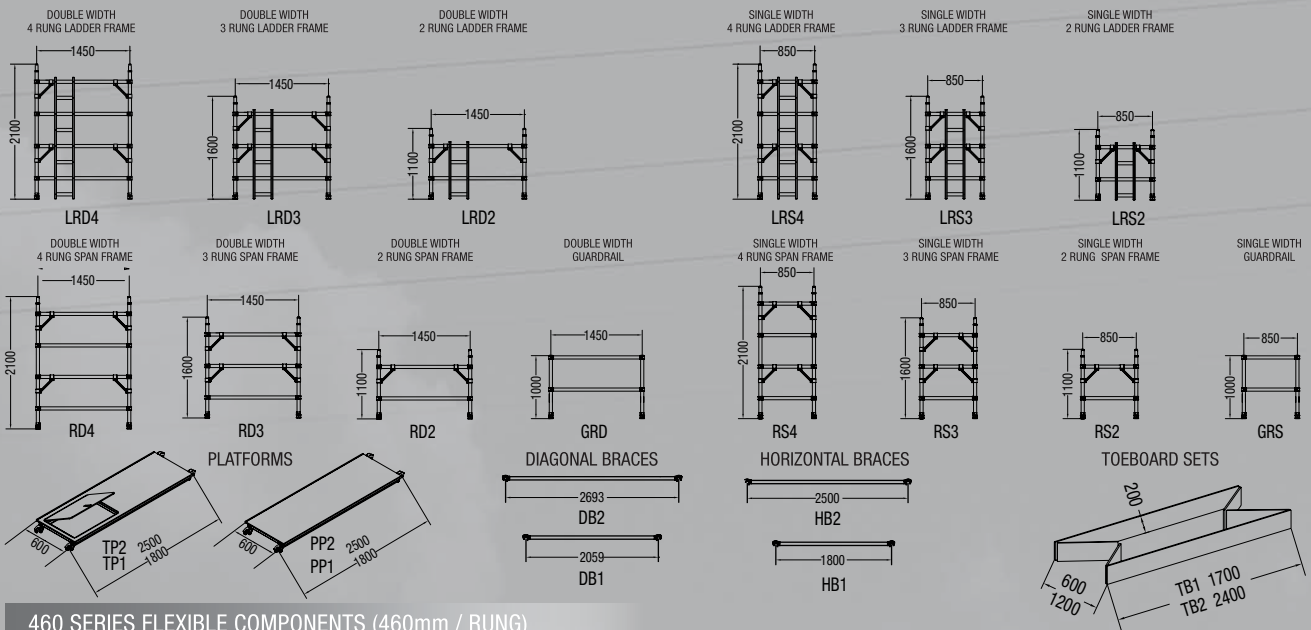
## QUICK-FOLD BASE FRAMES (OPTION)

- Quick-Fold base frame available to minimize installation time, base frame can be installed quickly with simplest pull out ready design.
- Width: 0.75m / 1.35m / 1.45m
- Platform Height matches with 500 / 460 Series

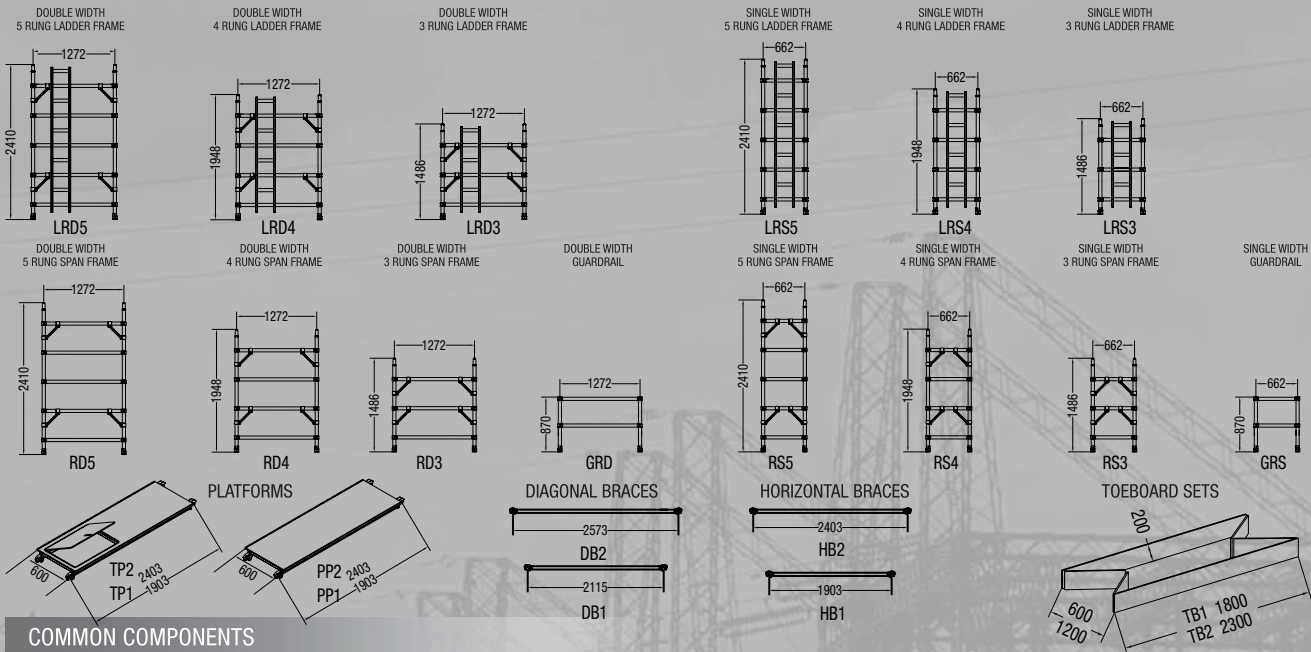


# BASIC COMPONENTS, SPECIFICATIONS & ACCESSORIES

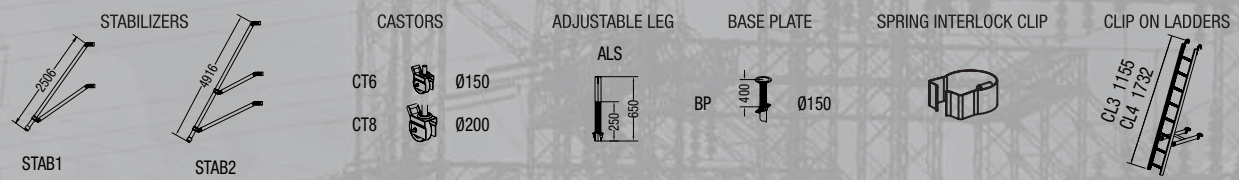
## 500 SERIES FLEXIBLE COMPONENTS (500mm / RUNG)



## 460 SERIES FLEXIBLE COMPONENTS (460mm / RUNG)



## COMMON COMPONENTS



DISTRIBUTED BY:

SOLE AGENT (HONG KONG) :

**AVION ACCESS CO. LTD.**  
**恆迅工程有限公司**

Unit D, 1/F., Fung Yip Ind. Bldg. 170 Wai Yip St., Kwun Tong, Kowloon, H.K.  
 Tel: (852) 2744 2111 Fax: (852) 2796 2882  
 info@avion.com.hk www.avion.com.hk

FACTORY :

**LEADER** 易達 | **廣州藝達**  
 GUANGZHOU LEADER EQUIPMENT LTD.

Tan Bu Industrial Park, Tan Bu, Hua Du Qu,  
 Guangzhou, Post Code 510820, China  
 Tel: (86) 20-8674 7299 Fax: (86) 20-8674 1177 www.leader-lift.com