

ML SERIES MATERIAL LIFT

KEY FEATURES

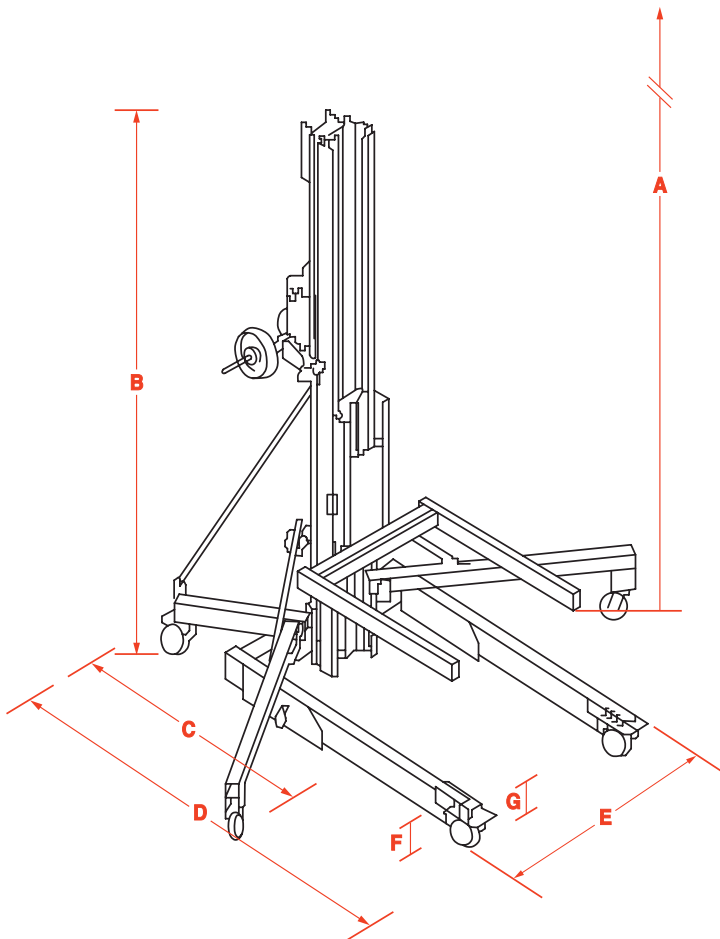
- * SAFE & COMPACT
- * VERSATILE PERFORMANCE
- * EASE OF CONTROL
- * DURABILITY



ML SERIES MATERIAL LIFT

LEADER 易達®

Specifications	ML 5	ML 10	ML 15	ML 20	ML 25
A Working Height (Forks Down)	1.5m	3m	4.5m	5.9m	7.4m
B Stowed Height	1.99m	1.99m	1.99m	1.99m	1.99m
C Stowed Length	0.737m	0.737m	0.737m	0.737m	0.737m
D Operation Length	1.51m	1.51m	1.88m	2.08m	2.08m
E Straddle Width	0.80m	0.80m	0.80m	0.80m	0.80m
F Ground Clearance	0.051m	0.051m	0.051m	0.051m	0.051m
G Minimum Load Height	0.152m	0.152m	0.152m	0.152m	0.152m
Capacity	450kg	450kg	360kg	360kg	360kg
Weight	98kg	118kg	144kg	184kg	204kg
Electric Motor Power Lift	1h.p. 220V 50HC / s, Two Directional Motor System				



Leader Material Lift is suitable for construction, exhibition, advertising and industrial applications.

STANDARD FEATURES

- One speed winch for all models
- All joints consist of safety locks to ensure safe operation.
- Easy setup & operation by single person
- Standard fork for all standard models
- Rear transport wheel to make loading more easy, especially load onto van or truck.

OPTIONS

- Non-Marking Tires
- Different types of load handling equipments, from adjustable forks, load platforms, flat forks and boom etc. to suit different application requirements.
- Two speed winch or Motor winch.

DISTRIBUTED BY:

SOLE AGENT (HONG KONG) :

AVION ACCESS CO. LTD.
恒迅工程有限公司

Unit D, 1/F., Fung Yip Ind. Bldg, 170 Wai Yip St., Kwun Tong, Kowloon, H.K.
Tel: (852) 2744 2111 Fax: (852) 2796 2882
info@avion.com.hk www.avion.com.hk

FACTORY :

LEADER 易達® | 廣州藝達
GUANGZHOU LEADER EQUIPMENT LTD.

Tan Bu Industrial Park, Tan Bu, Hua Du Qu,
Guangzhou, Post Code 510820, China
Tel: (86) 20-8674 7299 Fax: (86) 20-8674 1177 www.leaderlift.cn