



CP3838 DOMED LID

TO FIT 940 LTR 4-WHEELED CONTAINERS.

LIGHTWEIGHT - ROBUST - USER FRIENDLY - COST EFFICIENT

5 ribs and domed for optimal strength.

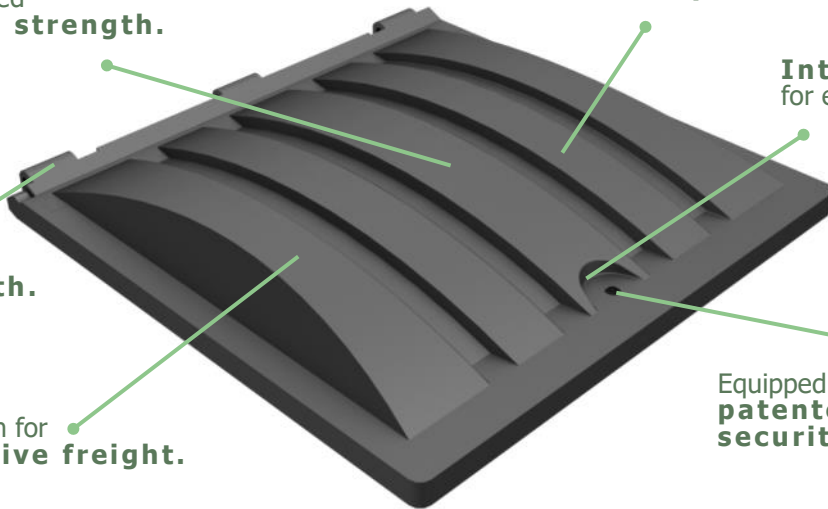
Lid can be produced in recycled material.

Integral front handle for ease of opening.

3 hinge lugs for extra strength.

Nestable design for cost-effective freight.

Equipped to accept patented CCE lock for security.



Fits the Sellers Plaza bin.

TECHNICAL DIMENSIONS

AVAILABLE ACCESSORIES

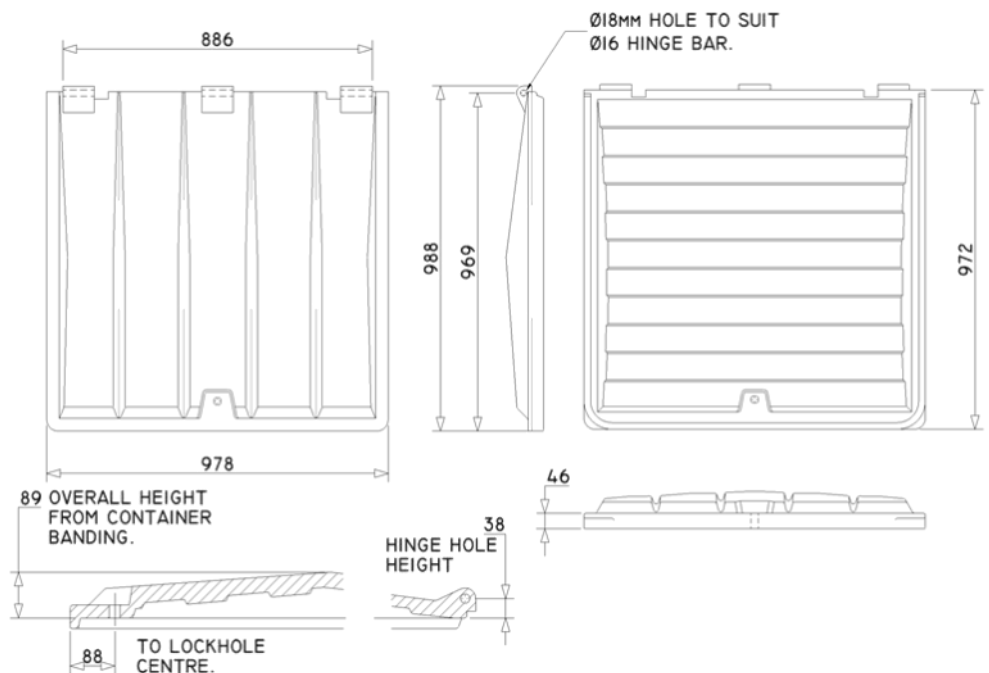
> Hinge bar and locks.

MATERIAL

> Rotationally moulded from UV - stabilized LMDPE; double-walled; oil, chemical and frost resistant; 100% recyclable.

COLOURS

> Available in black and a wide variety of colours.



enq@duraflexlids.co.uk — 0044 1246 853696

www.duraflexlids.co.uk



ISO 9001 : 2015
ISO 14001 : 2015

Cert No. 8998