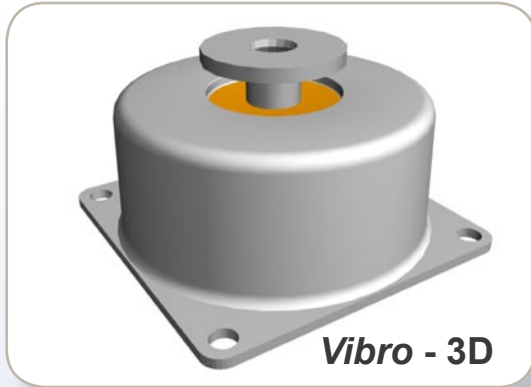
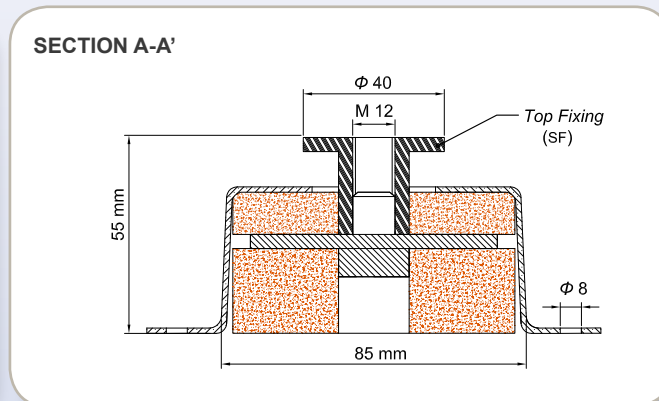
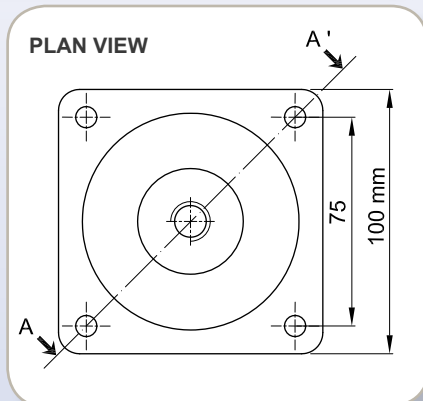


MULTIDIRECTIONAL ANTIVIBRATION MOUNT



APPLICATIONS

- Suspension of exhaust gas pipes.
- Marine & aviation applications .
- Support of freon cooling pipelines.
- Mounting of high RPM engines.
- Mounting of electronic devices.
- Suspension & on-wall fastening of loudspeakers.
- Anti-seismic protection of machines.



The new antivibration mount **Vibro-3D** is one of the few antivibration mounts that can support vibration of every direction (x,y,z).

Vibro-3D is also designed to sustain impulsive loads in all the three axis, so its capable to receive high vertical or lateral shocks with minimum danger of destruction.

The main internal elastic material is high technology polyurethane foam with semi closed cells, with the trademark **Regufoam**[®]. Full range of its mechanical behavior diagrams, are available on request.

Vibro-3D selection table

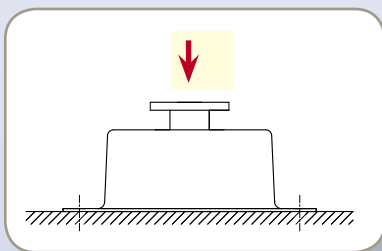
TYPE OF ELASTIC PART	COLOR	USE	Max STATIC LOAD (dN)	DYNAMIC LOAD (dN)
R	Brick red	Mounting (B)	35	50
		Suspension (H)	29	43
R	Orange	Mounting (B)	70	100
		Suspension (H)	58	85
R	Brown	Mounting (B)	140	210
		Suspension (H)	115	170
E	Black	Mounting (B)	280	380
		Suspension (H)	200	280

Different static loads available on request

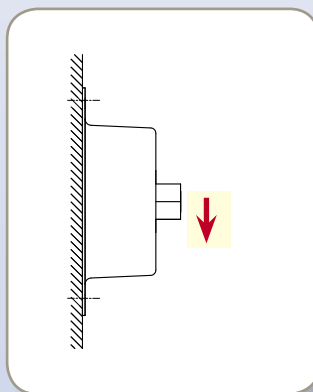
The galvanized metallic shell of **Vibro-3D** protects the internal elastic parts from corrosive environments and therefore ensures long life even in very hard and corruptive conditions. Additionally **Vibro-3D** meets high safety standards due to its unique design. The suspended device does not fail (fail safe), even in case of exposure in destructive conditions (e.g.: fire) that will destroy the internal elastic parts.

- Covers a wide range of loads due to the capability to change the density and stiffness of the internal polyurethane foams.
- Ability of angular misalignment up to 15°.
- Its available with Female ending (type F), male (type M), and with special top female fixing for mounting (type SF).
- The sequence of the elastic internal layers can be adapted according to the indented use (suspension, mounting or on-wall fastening). Hence **Vibro-3D** provides in any case 24 mm of elastic material on the applied force direction.

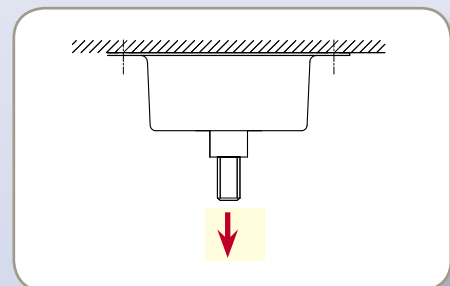
TYPES ENDING OF Vibro-3D



TYPE SF



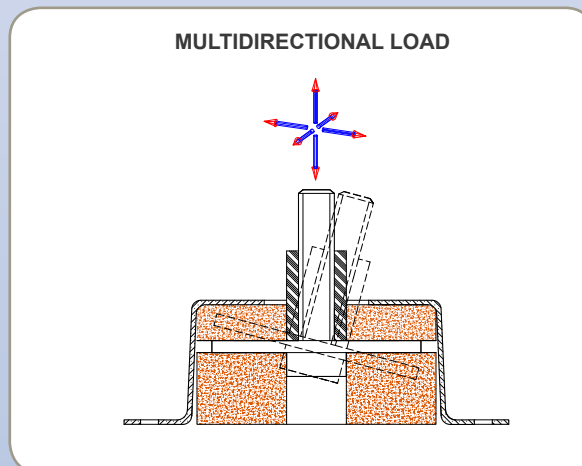
TYPE F



TYPE M

In your order please specify:

- The maximum **static load**
- The proposed use of Vibro-3D:
B: Mounting
H: Suspension
- The type of ending:
M = Male
F = Female
SF = Special top Fixing



Typical order: **Vibro-3D/brown/B-SF**

The specialized technical department of our company is always in your service, in order to help you choose the appropriate type of **Vibro-3D** for every individual project.

Our products are designed and manufactured according to the quality assurance system: ISO 9001.2000