

Vibro-Strip

ANTIVIBRATION STRIP

APPLICATIONS

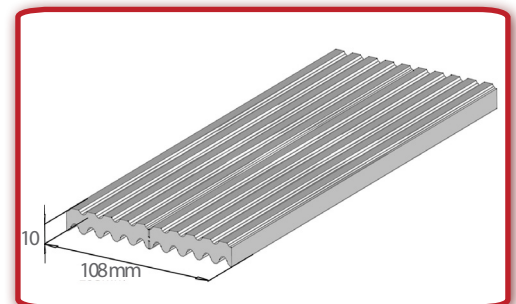
Vibro-Strip is primarily installed under of machinery base to achieve vibration control. It can be used as a rubber pad between the structural elements (columns, walls, bridges, tanks, e.t.c.) for smoothing out structural forces.

DESCRIPTION

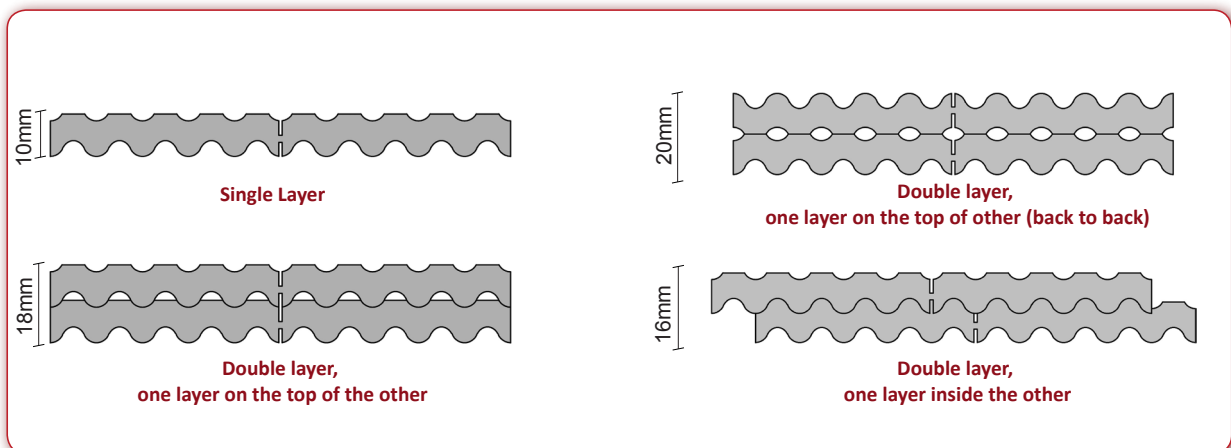
Vibro-Strip is an elastomeric system of mounting. Its semi - cylindrical shaping offers a high vibration isolation in a wide range of load. It can be easily cut in any dimension (e.g. washers) according to the weight of the supported machine. It can also be easily cut in the middle due to its special profile. It has various ways of installation according to the amount of vibration reduction required. For example it can be used in single or double layer to increase the thickness hence the deflection. There are several other application combination, which can be customly used.

DYNAMIC CHARACTERISTICS

Natural frequency $f_n = 30\text{Hz}$
 (for perpendicular load in a single layer)
 Load range $1\text{-}3 \text{ kg/cm}^2$ (1 per 3 tonnes per linear meter)



INSTALLATION METHODS



Design and production according to Quality Assurance System ISO 9001.2008.