

# Vibro-EP metal

## ANTIVIBRATION ELASTIC PAD WITH METAL COVER

### APPLICATIONS

Vibro-EP Metal can be used as an *antivibration mount* for: aircompressors, pumps, fans, generator sets, cutting machines, etc.

*Floating supports:* industrial floors, elevators, printing machines, testing machines, etc.

### DESCRIPTION

Vibro-EP Metal consists of an elastic element Vibro EP (dimensions 12.5x12.5 cm) and a specially formed galvanised metal cover. The steel cover protects the elastic part of the mount from solar radiation and mechanical oil. At the same time the load applied on the mount is equally distributed to the entire surface of the elastic element.

At the centre of the upper side of the cover an internal M12 thread is incorporated, which allows the corresponding fixing screw (not included) to attach the machine with the antivibration mount. The beige, green and yellow elastic pads are made of Neoprene type of rubber which is even more resistant to heat and solar radiation.

### VIBRO EP SELECTION TABLE

Elastomeric special rubber compound:

Grey, Blue, Red

Neoprene:

Green, Yellow, Beige

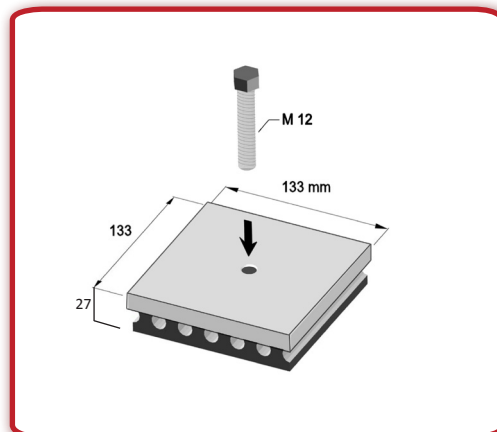
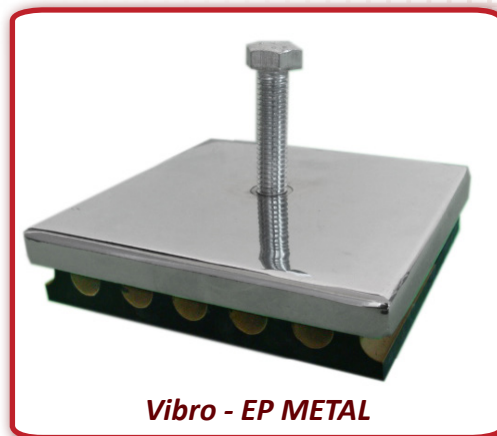
TYPE VIBRO EP	DIMENSIONS (cm)	MAXIMUM STATIC LOAD(Kp)	LOAD (Kp/cm <sup>2</sup> )
GREY OR BEIGE	12,5x12,5	400	1,8 - 2,5
BLUE OR GREEN	12,5x12,5	280	1 - 1,8
RED OR YELLOW	12,5x12,5	180	0,8 - 1,2

\*(1Kp=10N)

### TECHNICAL SPECIFICATIONS

Deflection (at maximum load) : 2.5 mm

Natural Frequency (at maximum load) : 10 Hz



Design and production according to International Standards ISO 9001.2008.

**ALPHA ACOUSTIKI LTD**

73 Apostolopoulou St. Chalandri 15231 Greece

T: +30 210 6779875 - F: +30 210 6779269

www.vibro.gr - info@vibro.gr