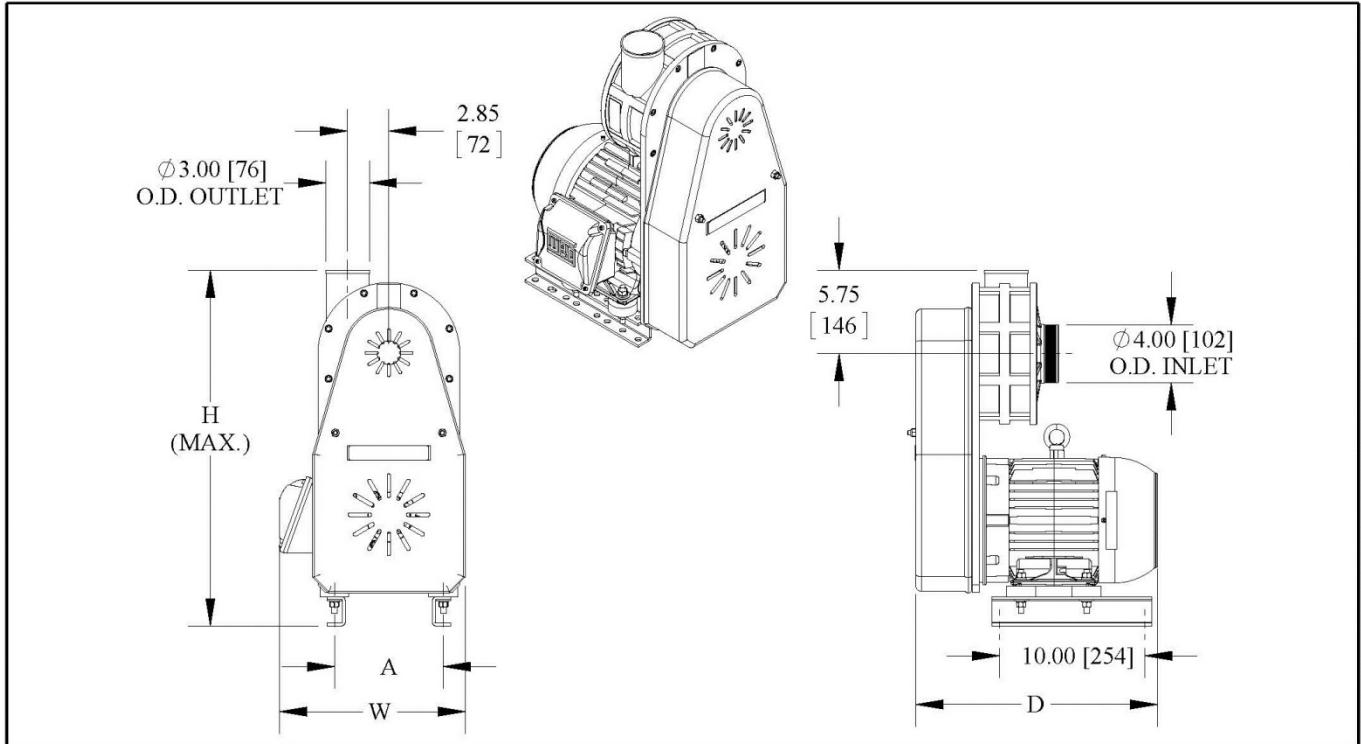


# SONIC AIR SYSTEMS

Engineered Blowers & Air Knife Solutions

[www.sonicairsystems.com](http://www.sonicairsystems.com)

## SONIC 70 CENTRIFUGAL BLOWER



Dimensions in brackets [ ] are in millimeters

Description	Blower – Sonic 70		Blower –Sonic 70 Water Cooled	
	<b>Output Flow Rate</b>	50 cfm (24 lps) to 700 cfm (331 lps)		50 cfm (24 lps) to 700 cfm (331 lps)
<b>Ambient Temperature</b>	10°F (-12°C) to 105°F (40°C)		10°F (-12°C) to 105°F (40°C)	
<b>Air Temperature Range</b>	< 125°F (52°C)		125°F (52°C) to 400°F (205°C)	
<b>Motors Available</b>	5.5 Kw	7.5 Kw	5.5 Kw	7.5 Kw
<b>Width (W)</b>	13.60 in (345 mm)	13.60 in (345 mm)	13.60 in (345 mm)	13.60 in (345 mm)
<b>Depth (D)</b>	19.15 in (486 mm)	19.15 in (486 mm)	19.15 in (486 mm)	19.15 in (486 mm)
<b>Height (H)</b>	25.13 in (638 mm)	25.13 in (638 mm)	25.13 in (638 mm)	25.13 in (638 mm)
<b>Mounting Pattern (A)</b>	8.5 in (216 mm)	8.5 in (216 mm)	8.5 in (216 mm)	8.5 in (216 mm)
<b>Approximate Weight</b>	191 lbs (87 kg)	191 lbs (87 kg)	191 lbs (87 kg)	191 lbs (87 kg)
<b>Replacement 16 Groove Belt P/N</b>				
<b>Pulley 1.50 to 2.20 Diameter</b>	13514			