

The Data Sheet of Current Transformer CT94-1

Features

- High Accuracy: $\pm 2\%$ of Reading $\pm 0.2A$
- Wide Measuring Range: 0- 50A ac
- DC Voltage Output
- Flexible Installation: DIN Rail Mount
or Wall (screw) Mount
- Big Cable through Hole for Current Measurement



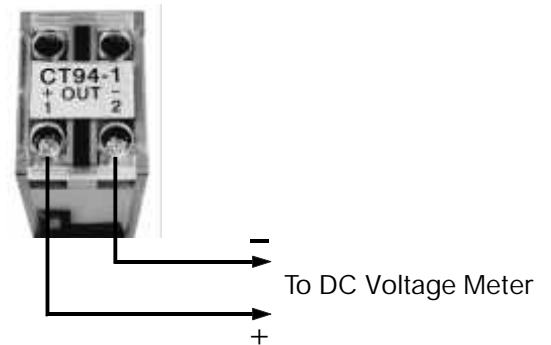
Specification

Accuracy: $\pm 2\%$ of reading $\pm 0.2A$
 Nominal Current: 0 ~ 50 A
 Peak Current: 70 Aac 1minute
 Output Impedance: 2.7 Kohms
 Frequency Range: 47 ~ 63 Hz, sinewave
 Breakdown Voltage: 2500 Vac, 1 minute
 Isolation Resistance: >500 Mohm vs. 500 Vdc
 Ambient Temperature: 0 ~ 60 °C
 Storage Temperature: -20 ~ 80 °C
 Mounting Method: DIN rail mount or Wall mount
 Cable Size: 12.5mm diameter maximum
 Dimension: 55mm(L) x 25.0mm(W) x 70.6mm(H)
 Weight: 105 grams

Typical Characteristics

| AC Current Under Measurement | DC Output Voltage |
|------------------------------|-------------------|
| 0.0 Aac | 0.000 Vdc |
| 0.2 Aac | 0.0082 Vdc |
| 1.0 Aac | 0.0817 Vdc |
| 10 Aac | 0.945 Vdc |
| 50 Aac | 5.000 Vdc |
| 60 Aac | 5.990 Vdc |
| 70 Aac | 6.980 Vdc |

Connection Diagram



Note: Current beyond 50 Aac is not recommended for a long time operation (1 minute or longer).

Mechanical Data

