

Overview of lifgo®

- Gearbox variants
- Identical accessories

Overview of lifgo®
Overview of lifgo®

Overview of lifgo®

- Gearbox variants
- Identical accessories



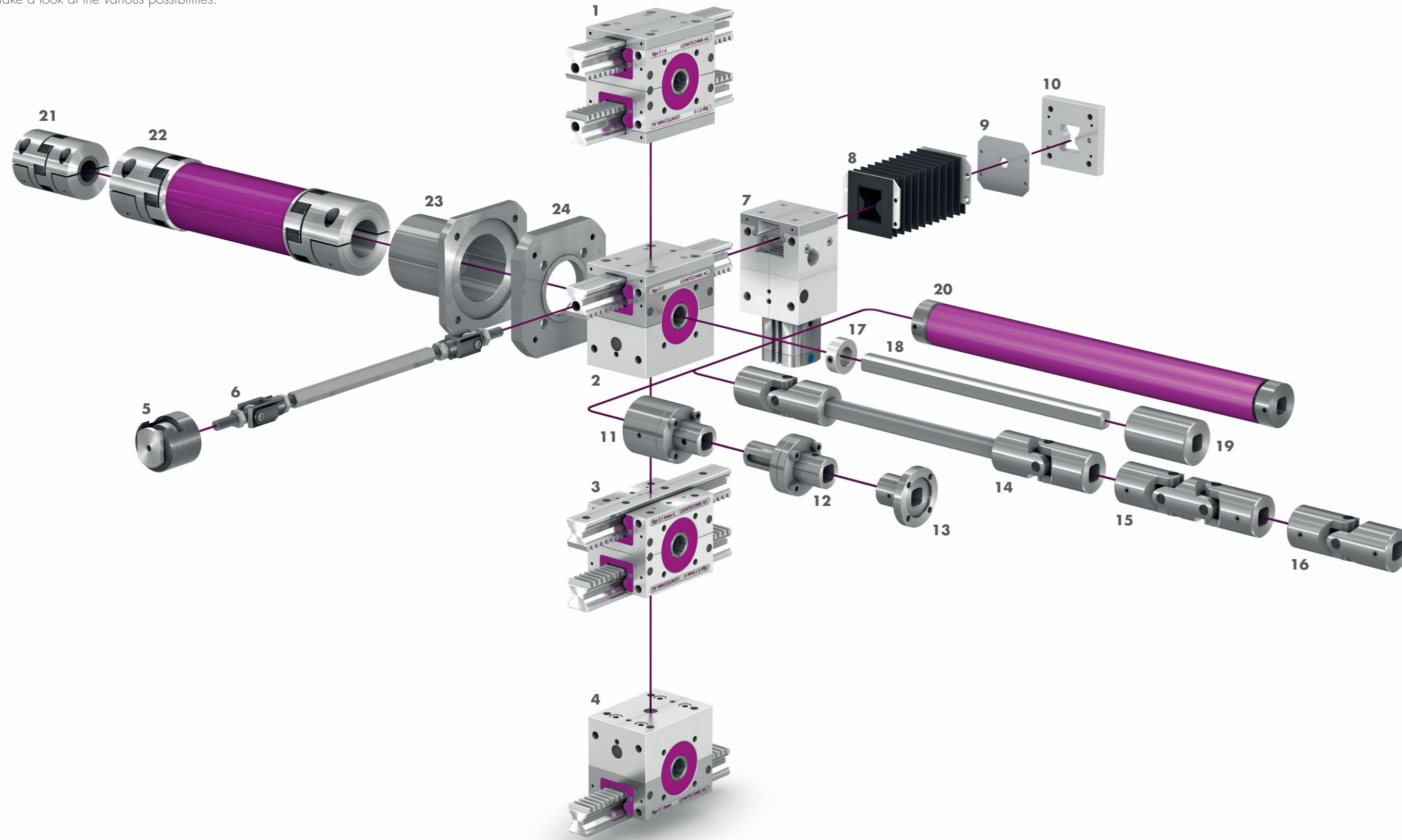
lifgo® 5

Overview of lifgo® • Gearbox variants & identical accessories

The drawing illustrates the four available lifgo® 5 gearbox variants together with accessory components that are identical for all lifgo® variants of the same size.

All the gearboxes are available in three sizes.

Take a look at the various possibilities.



Size 5.1 is used as the reference in the figure.

Opposite you will find a key explaining the items in the drawing. →

Key to lifgo® overview

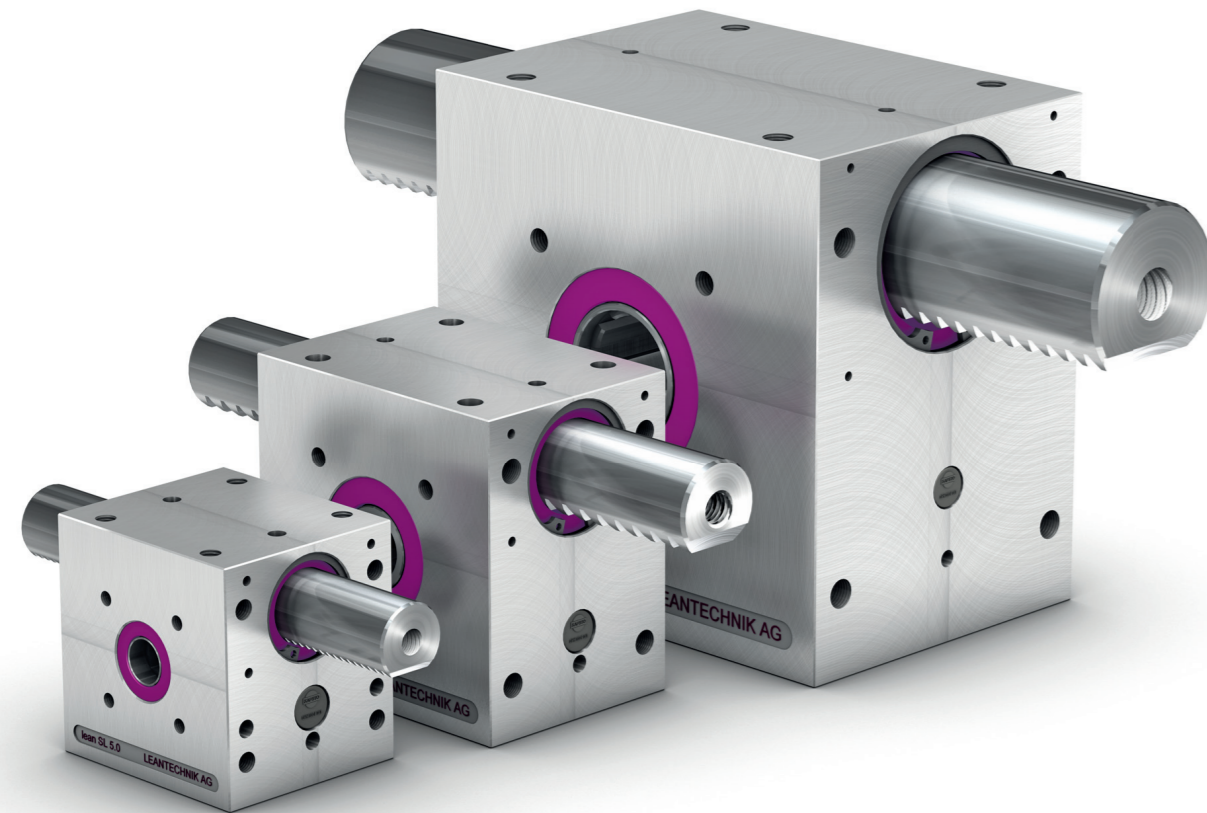
No.	Product	Page
1	lifgo® double	60
2	lifgo®	52
3	lifgo® linear double	62
4	lifgo® linear	56
5	Coupling unit	100
6	Differential coupling	98
7	Mechanical arrest system (ASS)	96
8	Gear rack protection	66, 68, 72, 74
9	End plate	66, 68, 72, 74
10	Gear rack retaining plate AZ	76
11	Shaft adapter variant 2	108
12	Shaft adapter variant 1	108
13	Profile shaft adapter	108
14	Universal joint with profile shaft	110
15	Universal joint double	110
16	Universal joint single	110
17	Set collar	104
18	Profile shaft	102
19	Sliding sleeves	105
20	Rotational reinforcement	106
21	Coupling	112
22	Drive shaft	112
23	Gearbox bell	112
24	Gearbox flange	112



Overview of lean SL[®]

- Gearbox variants
- Identical accessories

Overview of lean SL[®]



lean SL[®] 5

Key to lean SL® overview

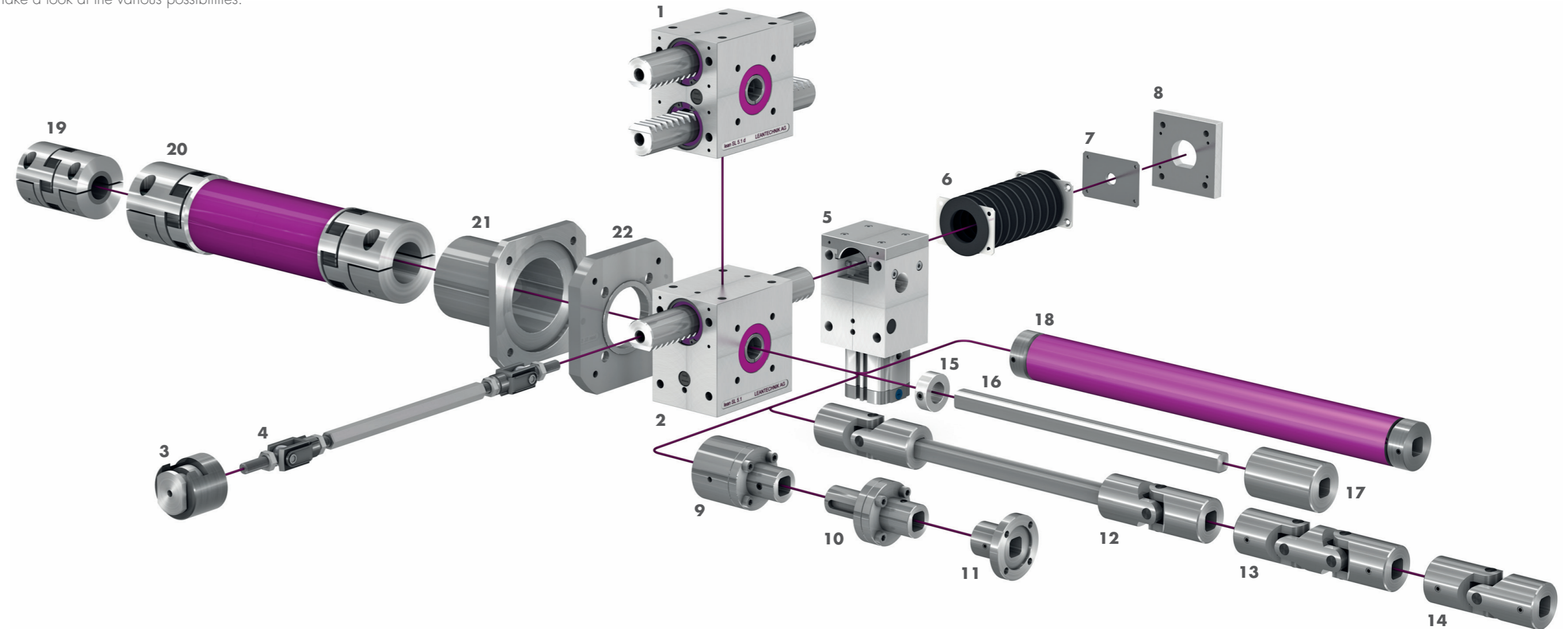
No.	Product	Page
1	lean SL® double	88
2	lean SL®	86
3	Coupling unit	100
4	Differential coupling	98
5	Mechanical arrest system (ASS)	96
6	Gear rack protection	92
7	End plate	92
8	Gear rack retaining plate AZ	94
9	Shaft adapter variant 2	108
10	Shaft adapter variant 1	108
11	Profile shaft adapter	108
12	Universal joint with profile shaft	110
13	Universal joint double	110
14	Universal joint single	110
15	Set collar	104
16	Profile shaft	102
17	Sliding sleeves	105
18	Rotational reinforcement	106
19	Coupling	112
20	Drive shaft	112
21	Gearbox bell	112
22	Gearbox flange	112

Overview of lean SL® • Gearbox variants & identical accessories

The drawing illustrates the four available lean SL® 5 gearbox variants together with accessory components that are identical for all lean SL® variants of the same size.

All the gearboxes are available in three sizes.

Take a look at the various possibilities.



← Opposite you will find a key explaining the items in the drawing.

Size 5.1 is used as the reference in the figure.