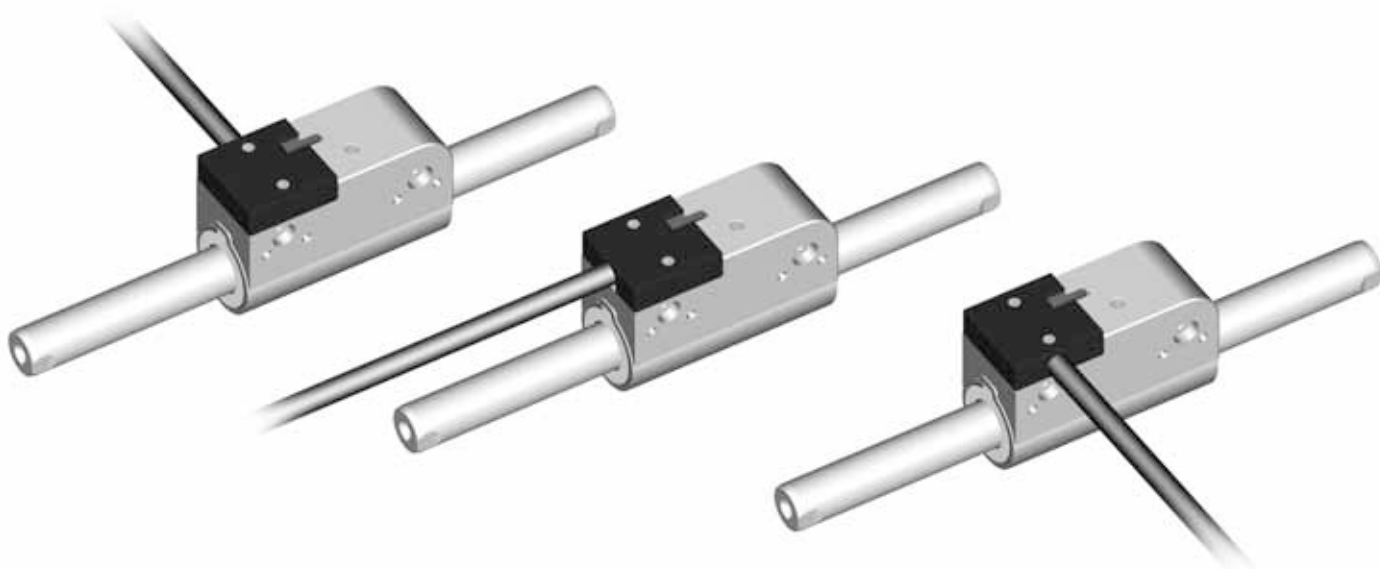


<b>Series P01-37Sx60-HP</b>	<b>242</b>	<b>P01-37Sx60/560x580-HP</b>	<b>251</b>
<b>P01-37Sx60/100x120-HP</b>	<b>245</b>	<b>P01-37Sx60/660x680-HP</b>	<b>252</b>
<b>P01-37Sx60/160x180-HP</b>	<b>246</b>	<b>P01-37Sx60/760x780-HP</b>	<b>253</b>
<b>P01-37Sx60/220x240-HP</b>	<b>247</b>	<b>P01-37Sx60/860x880-HP</b>	<b>254</b>
<b>P01-37Sx60/260x280-HP</b>	<b>248</b>	<b>P01-37Sx60/1060x1080-HP</b>	<b>255</b>
<b>P01-37Sx60/360x380-HP</b>	<b>249</b>	<b>P01-37Sx60/1260x1280-HP</b>	<b>256</b>
<b>P01-37Sx60/460x480-HP</b>	<b>250</b>	<b>P01-37Sx60/1460x1480-HP</b>	<b>257</b>
		<b>Motor Cable</b>	<b>258</b>



## Motor Specification

		P01-37Sx60-HP/...
Maximum Stroke	mm (in)	1480 (58.27)
Maximum Force	N (lbf)	122 (28.6)
Maximum Velocity	m/s (in/s)	5 (196)
Max. Current	A	12.0
Cont. Current	A	3.0
Phase Resist. 25 °C	Ohm	3.1
Phase Resist. 80 °C	Ohm	3.7
Phase Inductance	mH	1.6
Thermal Resistance	°K/W	2.2
Thermal Time Const.	sec	3800
Stator Diameter	mm (in)	37 (1.46) / 38 (1.50)
Stator Length	mm (in)	90 (3.54)
Stator Mass	g (lb)	513 (1.13)
Slider Diameter	mm (in)	20 (0.79)
Position Resolution	mm (in)	0,01
Position Repeatability	mm (in)	±0.05 (±0.0020)
Position Resolution ES	mm (in)	0,001
Repeatability with EPS	mm (in)	±0.01 (±0.0004)

## Accessories



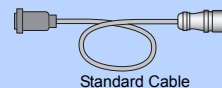
Servo Drive:  
E1100



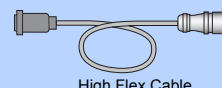
E1200



B1100-HC



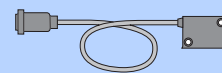
Standard Cable



High Flex Cable

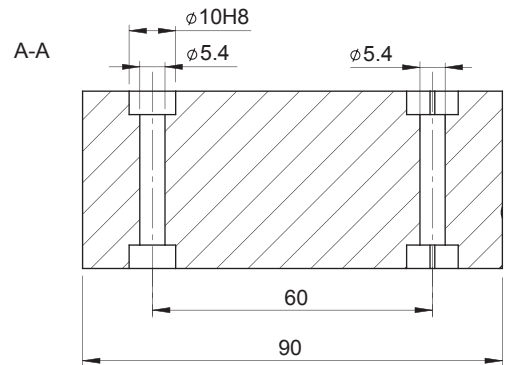
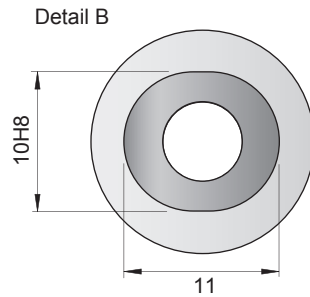
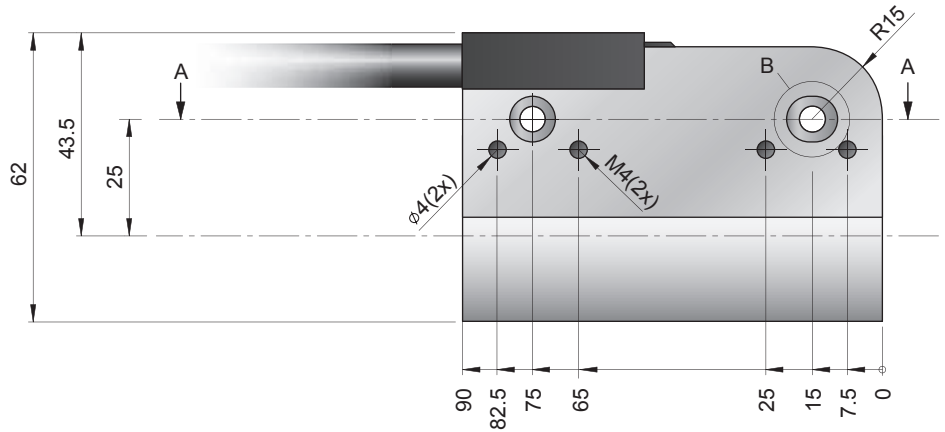
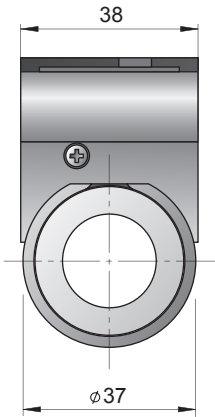


Robotic Cable

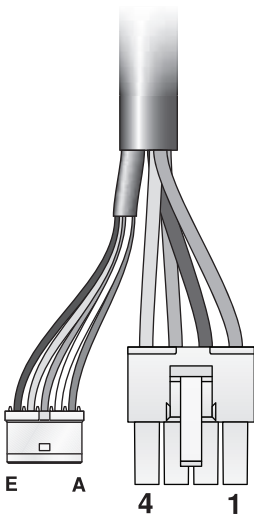


Optional Linear Encoder

## Stator



### N-Connector

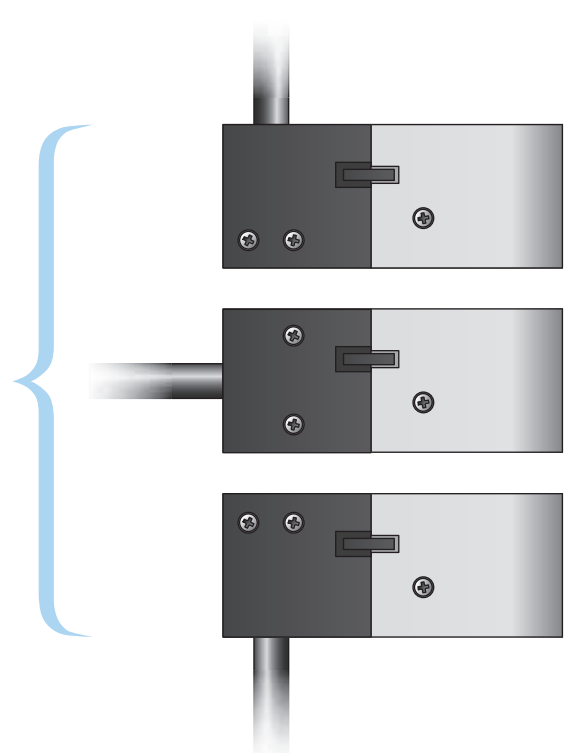


### Motor Connector Wiring

Pin 1	red	Phase 1+
Pin 2	pink	Phase 1-
Pin 3	blue	Phase 2+
Pin 4	grey	Phase 2-

Pin A	white	+5V
Pin B	inner Shield	Ground
Pin C	yellow	Sensor Sin
Pin D	green	Sensor Cos
Pin E	black	Temp sensor
case	outer Shield	shield

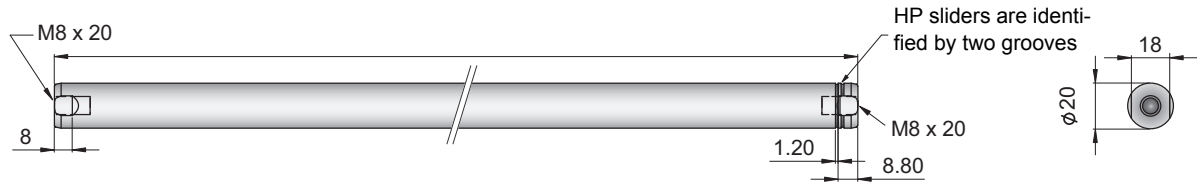
Stators are shipped with three covers for left/right/straight cable outlet



### Ordering Information

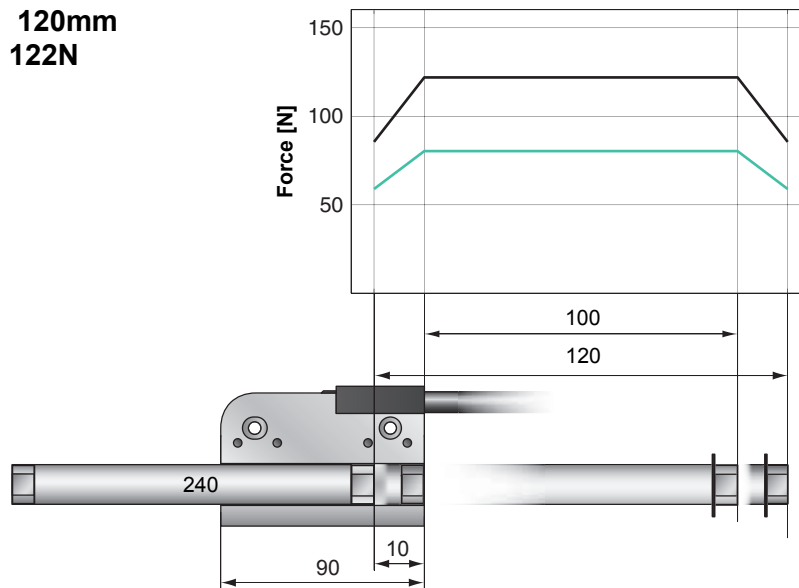
Item	Description	Part Number
PS01-37Sx60-HP-N	Stator HP with N-connector IP50	0150-1295

Sliders



High Performance Slider		Length[mm]	Stroke[mm]	Part Number
PL01-20x240/180-HP	slider "High Performance"	240	100x120	0150-1505
PL01-20x300/240-HP	slider "High Performance"	300	160x180	0150-1506
PL01-20x360/300-HP	slider "High Performance"	360	220x240	0150-1507
PL01-20x400/340-HP	slider "High Performance"	400	260x280	0150-1508
PL01-20x500/440-HP	slider "High Performance"	500	360x380	0150-1509
PL01-20x600/540-HP	slider "High Performance"	600	460x480	0150-1510
PL01-20x700/640-HP	slider "High Performance"	700	560x580	0150-1511
PL01-20x800/740-HP	slider "High Performance"	800	660x680	0150-1512
PL01-20x900/840-HP	slider "High Performance"	900	760x780	0150-1513
PL01-20x1000/940-HP	slider "High Performance"	1000	860x880	0150-1514
PL01-20x1200/1140-HP	slider "High Performance"	1200	1060x1080	0150-1515
PL01-20x1400/1340-HP	slider "High Performance"	1400	1260x1280	0150-1516
PL01-20x1600/1540-HP	slider "High Performance"	1600	1460x1480	0150-1517

**Max. Stroke:** 120mm  
**Max. Force:** 122N



— E1100-HC, 72VDC  
 — E1100, 72VDC

Dimensions in mm

## Motor Specification

Stator		Standard Winding
Slider		High Performance High Performance Heavy Duty
Standard Stroke SS	mm (in)	100 (3.94)
Extended Stroke ES	mm (in)	120 (4.72)
Max. Force	N (lbf)	122 (28.6)
Cont. Force	N (lbf)	20 (4.50)
Cont. Force with fan	N (lbf)	35 (7.87)
Max. Velocity	m/s (in/s)	5.0
Max. Current	A	12.0
Cont. Current	A	3.0
Cont. Current with fan	A	5.0
Force Constant	N/A (lbf/A)	10.2 (2.30)
Border Force	%	67
Linearity	%	±0.1
Slider Length	mm (in)	240 (9.45)
Slider Mass	g (lb)	530 (1.17)

## Ordering Information

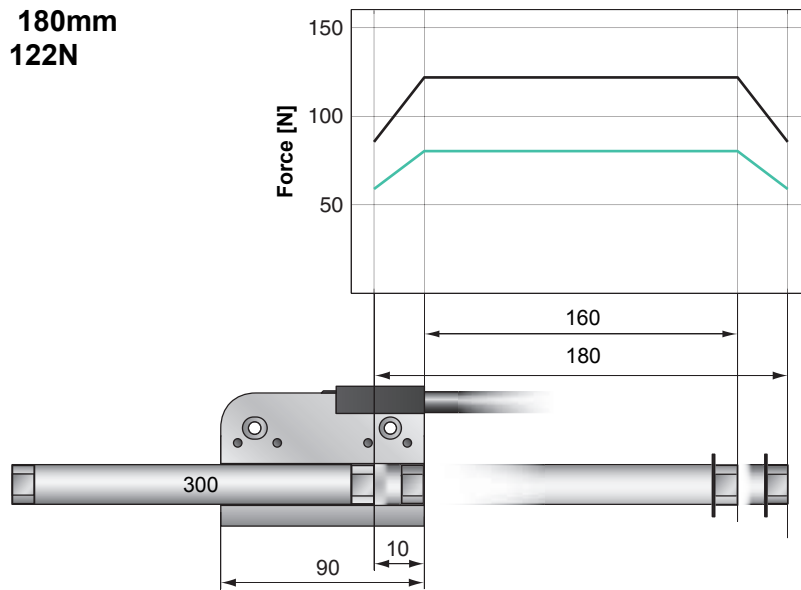


PS01-37Sx60-HP-N	Stator HP with N-connector IP50	0150-1295
------------------	---------------------------------	-----------



PL01-20x240/180-HP	High Performance Slider	0150-1505
PL02-20x240/180-HP	High Performance Slider, Heavy Duty	on request

**Max. Stroke:** 180mm  
**Max. Force:** 122N



— E1100-HC, 72VDC  
 — E1100, 72VDC

Dimensions in mm

## Motor Specification

Stator		Standard Winding
Slider		High Performance High Performance Heavy Duty
Standard Stroke SS	mm (in)	160 (6.30)
Extended Stroke ES	mm (in)	180 (7.09)
Max. Force	N (lbf)	122 (28.6)
Cont. Force	N (lbf)	20 (4.50)
Cont. Force with fan	N (lbf)	35 (7.87)
Max. Velocity	m/s (in/s)	5.0
Max. Current	A	12.0
Cont. Current	A	3.0
Cont. Current with fan	A	5.0
Force Constant	N/A (lbf/A)	10.2 (2.30)
Border Force	%	67
Linearity	%	±0.1
Slider Length	mm (in)	300 (11.81)
Slider Mass	g (lb)	650 (1.43)

## Ordering Information

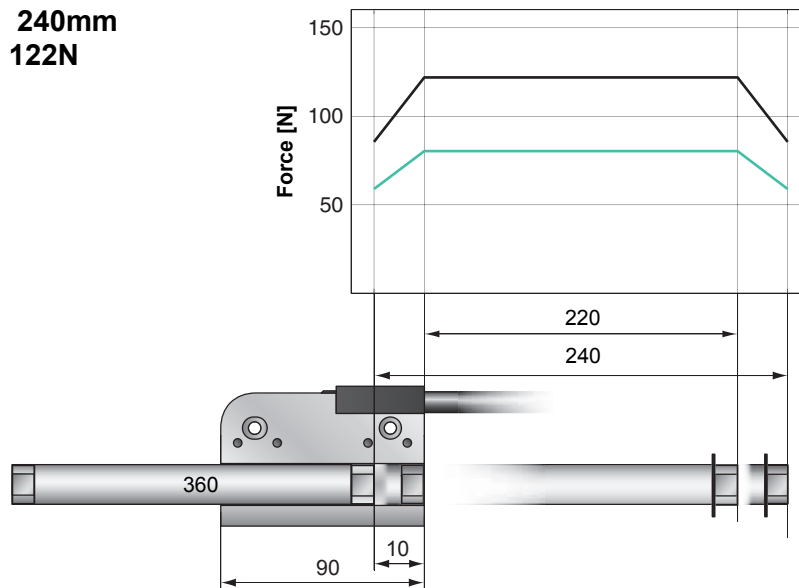


PS01-37Sx60-HP-N	Stator HP with N-connector IP50	0150-1295
------------------	---------------------------------	-----------



PL01-20x300/240-HP	High Performance Slider	0150-1506
PL02-20x300/240-HP	High Performance Slider, Heavy Duty	on request

**Max. Stroke:** 240mm  
**Max. Force:** 122N



— E1100-HC, 72VDC  
 — E1100, 72VDC

Dimensions in mm

## Motor Specification

Stator		Standard Winding	
		High Performance	High Performance Heavy Duty
Standard Stroke SS	mm (in)	220 (8.66)	
Extended Stroke ES	mm (in)	240 (9.45)	
Max. Force	N (lbf)	122 (28.6)	
Cont. Force	N (lbf)	20 (4.50)	
Cont. Force with fan	N (lbf)	35 (7.87)	
Max. Velocity	m/s (in/s)	5.0	
Max. Current	A	12.0	
Cont. Current	A	3.0	
Cont. Current with fan	A	5.0	
Force Constant	N/A (lbf/A)	10.2 (2.30)	
Border Force	%	67	
Linearity	%	±0.1	
Slider Length	mm (in)	360 (14.17)	
Slider Mass	g (lb)	800 (1.76)	

## Ordering Information

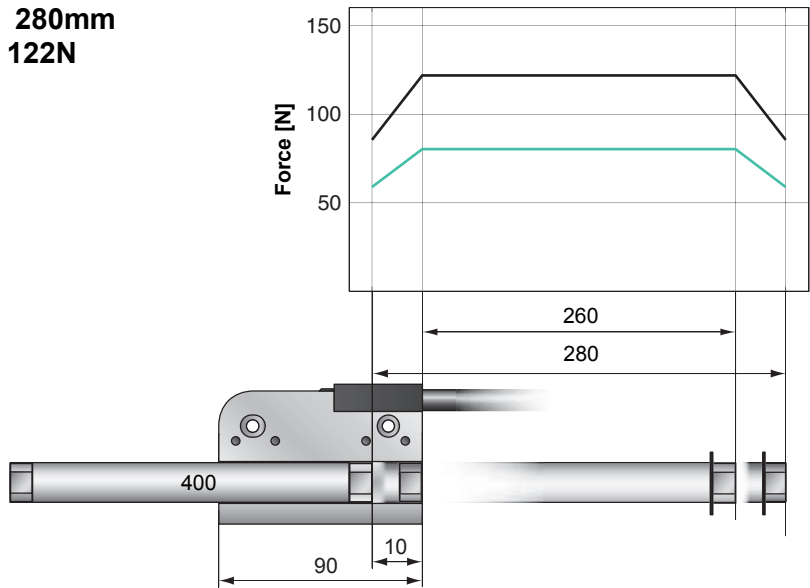


PS01-37Sx60-HP-N	Stator HP with N-connector IP50	0150-1295
------------------	---------------------------------	-----------



PL01-20x360/300-HP	High Performance Slider	0150-1507
PL02-20x360/300-HP	High Performance Slider, Heavy Duty	on request

**Max. Stroke:** 280mm  
**Max. Force:** 122N



— E1100-HC, 72VDC  
 — E1100, 72VDC

Dimensions in mm

## Motor Specification

Stator		Standard Winding	
		High Performance Heavy Duty	
Slider		High Performance	
Standard Stroke SS	mm (in)	260 (10.24)	
Extended Stroke ES	mm (in)	280 (11.02)	
Max. Force	N (lbf)	122 (28.6)	
Cont. Force	N (lbf)	20 (4.50)	
Cont. Force with fan	N (lbf)	35 (7.87)	
Max. Velocity	m/s (in/s)	5.0	
Max. Current	A	12.0	
Cont. Current	A	3.0	
Cont. Current with fan	A	5.0	
Force Constant	N/A (lbf/A)	10.2 (2.30)	
Border Force	%	67	
Linearity	%	±0.1	
Slider Length	mm (in)	400 (15.75)	
Slider Mass	g (lb)	880 (1.94)	

## Ordering Information



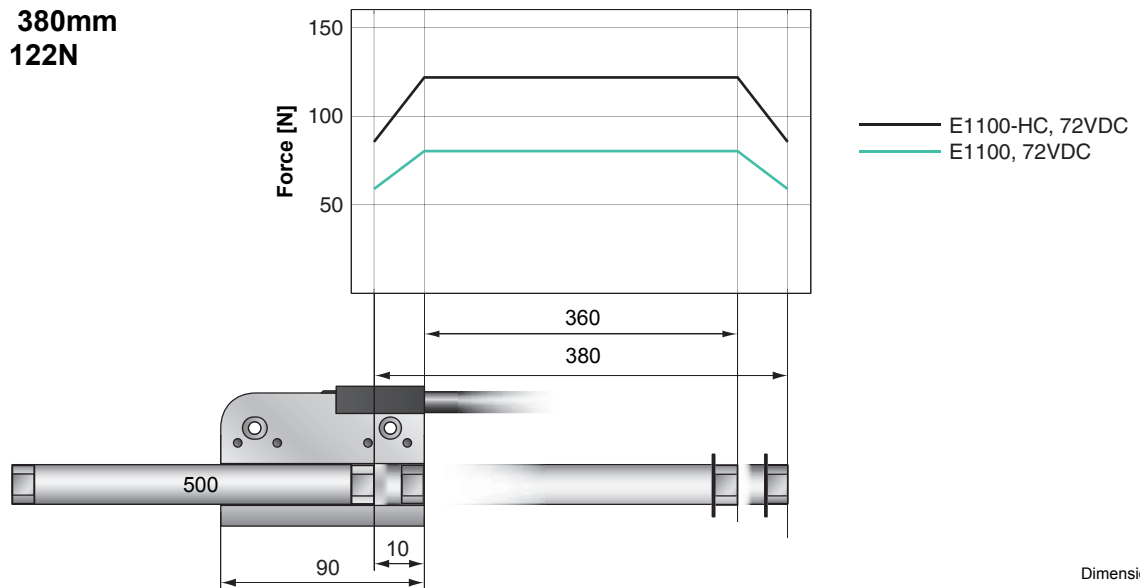
PS01-37Sx60-HP-N	Stator HP with N-connector IP50	0150-1295
------------------	---------------------------------	-----------



PL01-20x400/340-HP	High Performance Slider	0150-1508
PL02-20x400/340-HP	High Performance Slider, Heavy Duty	on request



**Max. Stroke:** 380mm  
**Max. Force:** 122N



## Motor Specification

Stator		Standard Winding
Slider		High Performance High Performance Heavy Duty
Standard Stroke SS	mm (in)	360 (14.17)
Extended Stroke ES	mm (in)	380 (14.96)
Max. Force	N (lbf)	122 (28.6)
Cont. Force	N (lbf)	20 (4.50)
Cont. Force with fan	N (lbf)	35 (7.87)
Max. Velocity	m/s (in/s)	5.0
Max. Current	A	12.0
Cont. Current	A	3.0
Cont. Current with fan	A	5.0
Force Constant	N/A (lbf/A)	10.2 (2.30)
Border Force	%	67
Linearity	%	±0.1
Slider Length	mm (in)	500 (19.69)
Slider Mass	g (lb)	1110 (2.45)

## Ordering Information

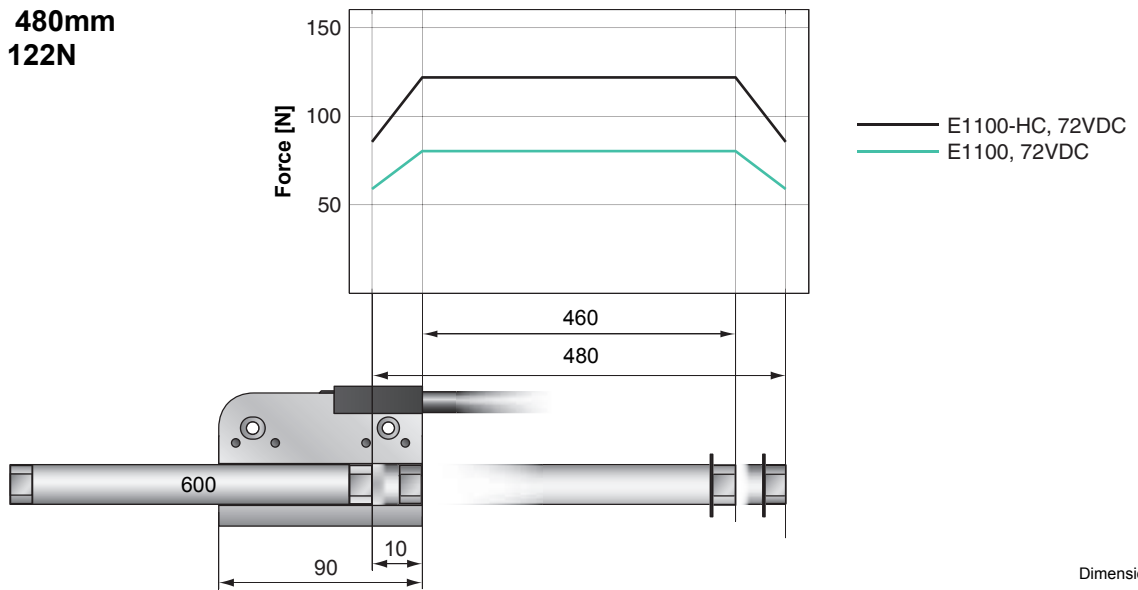


PS01-37Sx60-HP-N	Stator HP with N-connector IP50	0150-1295
------------------	---------------------------------	-----------



PL01-20x500/440-HP	High Performance Slider	0150-1509
PL02-20x500/440-HP	High Performance Slider, Heavy Duty	on request

**Max. Stroke:** 480mm  
**Max. Force:** 122N



## Motor Specification

Stator		Standard Winding
Slider		High Performance High Performance Heavy Duty
Standard Stroke SS	mm (in)	460 (18.11)
Extended Stroke ES	mm (in)	480 (18.90)
Max. Force	N (lbf)	122 (28.6)
Cont. Force	N (lbf)	20 (4.50)
Cont. Force with fan	N (lbf)	35 (7.87)
Max. Velocity	m/s (in/s)	5.0
Max. Current	A	12.0
Cont. Current	A	3.0
Cont. Current with fan	A	5.0
Force Constant	N/A (lbf/A)	10.2 (2.30)
Border Force	%	67
Linearity	%	±0.1
Slider Length	mm (in)	600 (23.62)
Slider Mass	g (lb)	1350 (2.98)

## Ordering Information

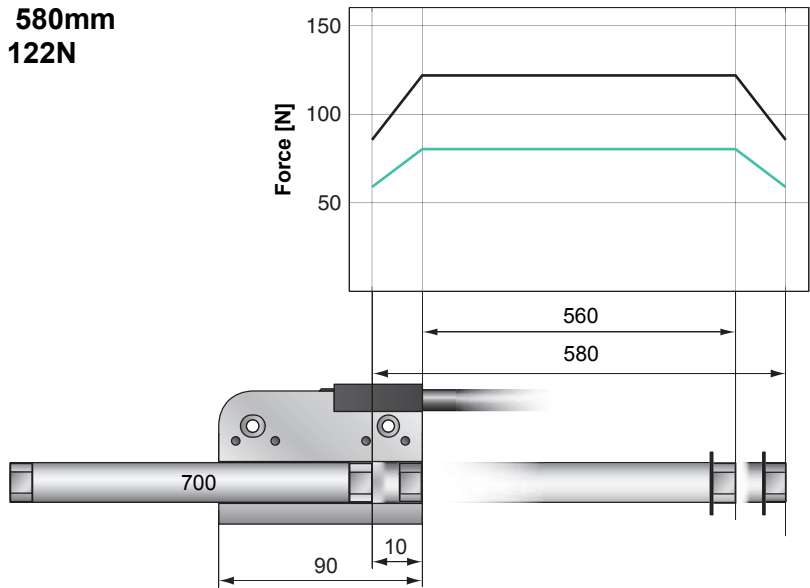


PS01-37Sx60-HP-N	Stator HP with N-connector IP50	0150-1295
------------------	---------------------------------	-----------



PL01-20x600/540-HP	High Performance Slider	0150-1510
PL02-20x600/540-HP	High Performance Slider, Heavy Duty	on request

**Max. Stroke:** 580mm  
**Max. Force:** 122N



— E1100-HC, 72VDC  
 — E1100, 72VDC

Dimensions in mm

## Motor Specification

Stator		Standard Winding
Slider		High Performance High Performance Heavy Duty
Standard Stroke SS	mm (in)	560 (22.05)
Extended Stroke ES	mm (in)	580 (22.83)
Max. Force	N (lbf)	122 (28.6)
Cont. Force	N (lbf)	20 (4.50)
Cont. Force with fan	N (lbf)	35 (7.87)
Max. Velocity	m/s (in/s)	5.0
Max. Current	A	12.0
Cont. Current	A	3.0
Cont. Current with fan	A	5.0
Force Constant	N/A (lbf/A)	10.2 (2.30)
Border Force	%	67
Linearity	%	±0.1
Slider Length	mm (in)	700 (27.56)
Slider Mass	g (lb)	1580 (3.48)

## Ordering Information

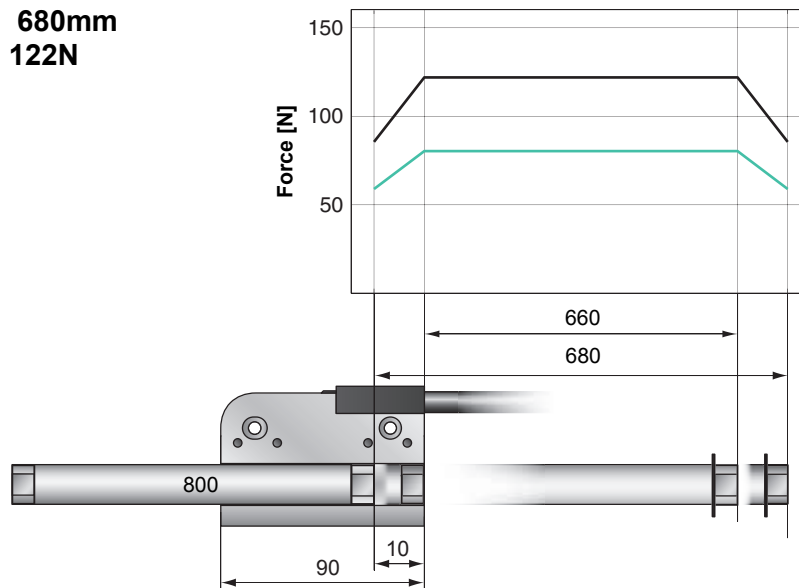


PS01-37Sx60-HP-N	Stator HP with N-connector IP50	0150-1295
------------------	---------------------------------	-----------



PL01-20x700/640-HP	High Performance Slider	0150-1511
PL02-20x700/640-HP	High Performance Slider, Heavy Duty	on request

**Max. Stroke:** 680mm  
**Max. Force:** 122N



— E1100-HC, 72VDC  
 — E1100, 72VDC

Dimensions in mm

## Motor Specification

Stator		Standard Winding
Slider		High Performance High Performance Heavy Duty
Standard Stroke SS	mm (in)	660 (25.98)
Extended Stroke ES	mm (in)	680 (26.77)
Max. Force	N (lbf)	122 (28.6)
Cont. Force	N (lbf)	20 (4.50)
Cont. Force with fan	N (lbf)	35 (7.87)
Max. Velocity	m/s (in/s)	5.0
Max. Current	A	12.0
Cont. Current	A	3.0
Cont. Current with fan	A	5.0
Force Constant	N/A (lbf/A)	10.2 (2.30)
Border Force	%	67
Linearity	%	±0.1
Slider Length	mm (in)	800 (31.50)
Slider Mass	g (lb)	1810 (3.99)

## Ordering Information

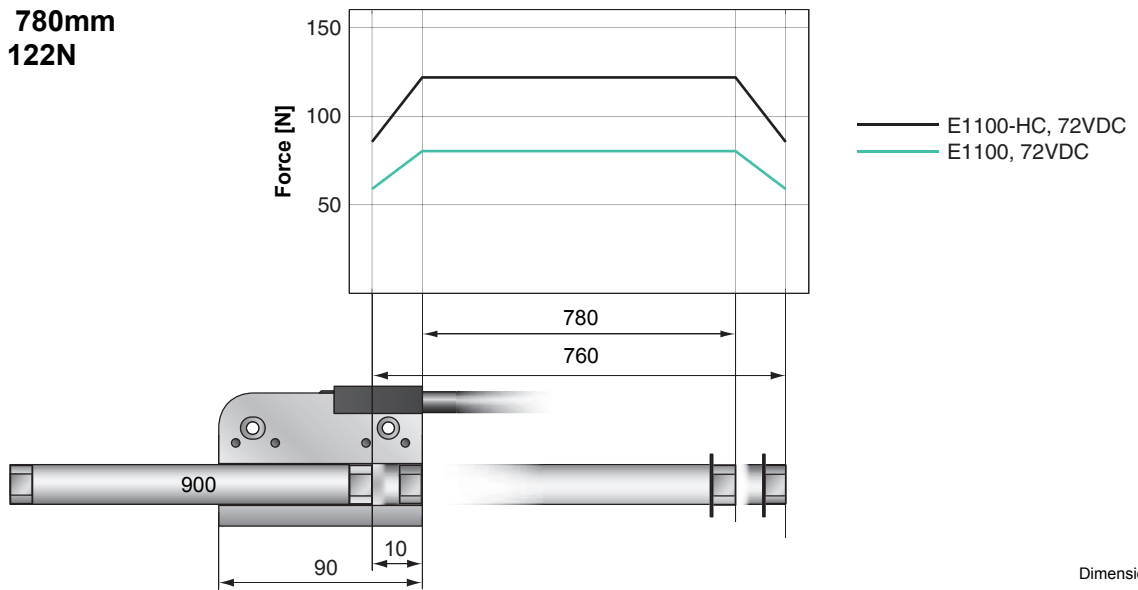


PS01-37Sx60-HP-N	Stator HP with N-connector IP50	0150-1295
------------------	---------------------------------	-----------



PL01-20x800/740-HP	High Performance Slider	0150-1512
PL02-20x800/740-HP	High Performance Slider, Heavy Duty	on request

**Max. Stroke:** 780mm  
**Max. Force:** 122N



## Motor Specification

Stator		Standard Winding
Slider		High Performance High Performance Heavy Duty
Standard Stroke SS	mm (in)	760 (29.92)
Extended Stroke ES	mm (in)	780 (30.71)
Max. Force	N (lbf)	122 (28.6)
Cont. Force	N (lbf)	20 (4.50)
Cont. Force with fan	N (lbf)	35 (7.87)
Max. Velocity	m/s (in/s)	5.0
Max. Current	A	12.0
Cont. Current	A	3.0
Cont. Current with fan	A	5.0
Force Constant	N/A (lbf/A)	10.2 (2.30)
Border Force	%	67
Linearity	%	±0.1
Slider Length	mm (in)	900 (35.43)
Slider Mass	g (lb)	2040 (4.50)

## Ordering Information

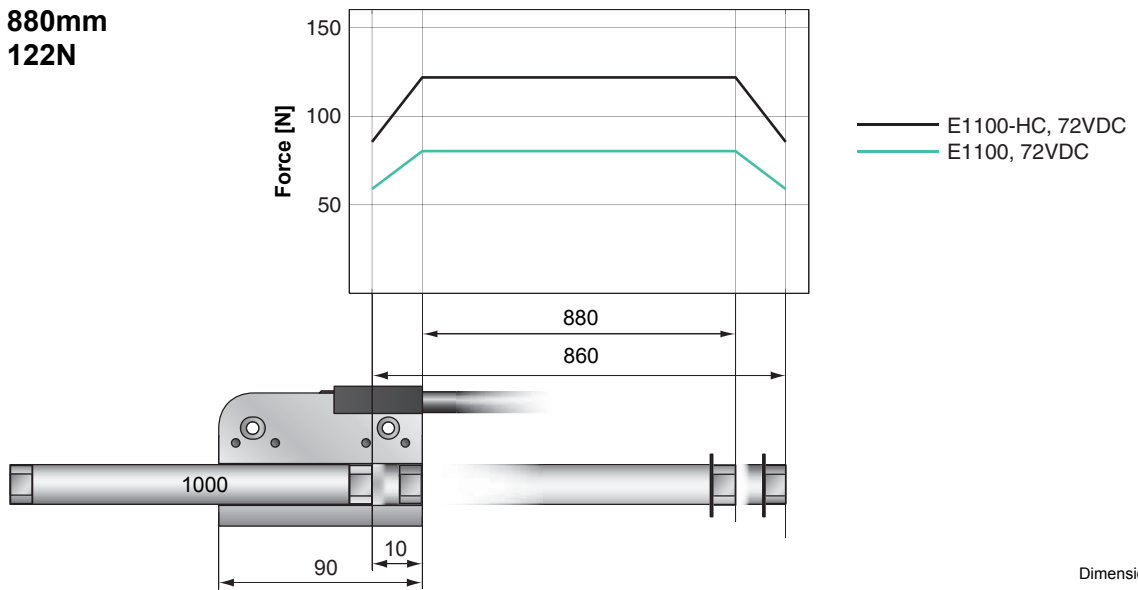


PS01-37Sx60-HP-N	Stator HP with N-connector IP50	0150-1295
------------------	---------------------------------	-----------



PL01-20x900/840-HP	High Performance Slider	0150-1513
PL02-20x900/840-HP	High Performance Slider, Heavy Duty	on request

**Max. Stroke:** 880mm  
**Max. Force:** 122N



Dimensions in mm

## Motor Specification

Stator		Standard Winding
Slider		High Performance High Performance Heavy Duty
Standard Stroke SS	mm (in)	860 (33.86)
Extended Stroke ES	mm (in)	880 (34.65)
Max. Force	N (lbf)	122 (28.6)
Cont. Force	N (lbf)	20 (4.50)
Cont. Force with fan	N (lbf)	35 (7.87)
Max. Velocity	m/s (in/s)	5.0
Max. Current	A	12.0
Cont. Current	A	3.0
Cont. Current with fan	A	5.0
Force Constant	N/A (lbf/A)	10.2 (2.30)
Border Force	%	67
Linearity	%	±0.1
Slider Length	mm (in)	1000 (39.37)
Slider Mass	g (lb)	2270 (5.00)

## Ordering Information

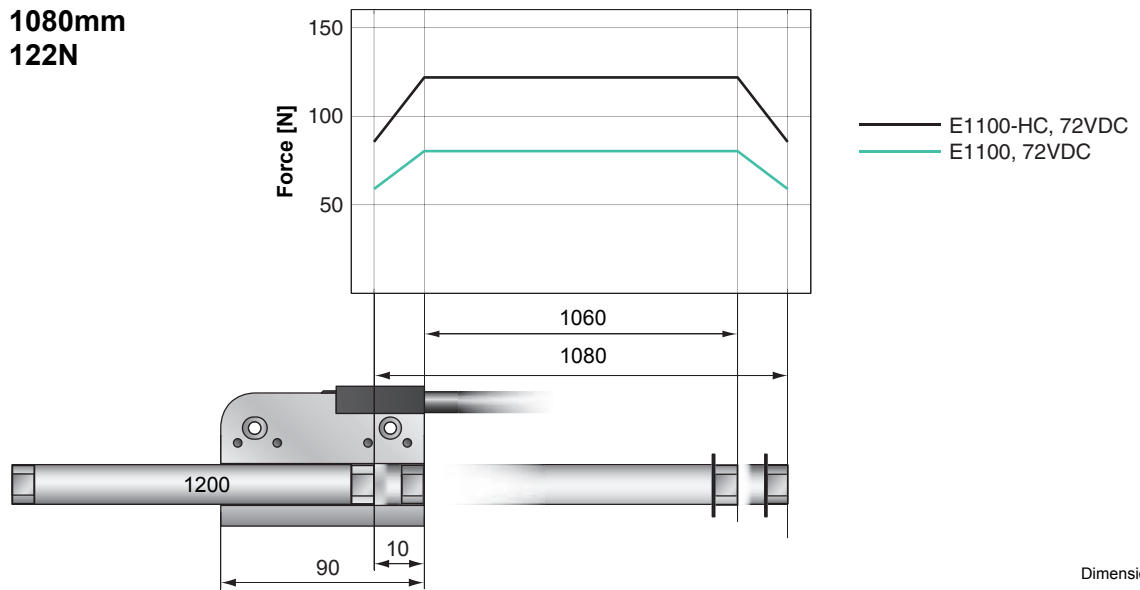


PS01-37Sx60-HP-N	Stator HP with N-connector IP50	0150-1295
------------------	---------------------------------	-----------



PL01-20x1000/940-HP	High Performance Slider	0150-1514
PL02-20x1000/940-HP	High Performance Slider, Heavy Duty	on request

**Max. Stroke: 1080mm**  
**Max. Force: 122N**



## Motor Specification

Stator		Standard Winding
Slider		High Performance High Performance Heavy Duty
Standard Stroke SS	mm (in)	1060 (41.73)
Extended Stroke ES	mm (in)	1080 (42.52)
Max. Force	N (lbf)	122 (28.6)
Cont. Force	N (lbf)	20 (4.50)
Cont. Force with fan	N (lbf)	35 (7.87)
Max. Velocity	m/s (in/s)	5.0
Max. Current	A	12.0
Cont. Current	A	3.0
Cont. Current with fan	A	5.0
Force Constant	N/A (lbf/A)	10.2 (2.30)
Border Force	%	67
Linearity	%	±0.1
Slider Length	mm (in)	1200 (47.24)
Slider Mass	g (lb)	2740 (6.04)

## Ordering Information

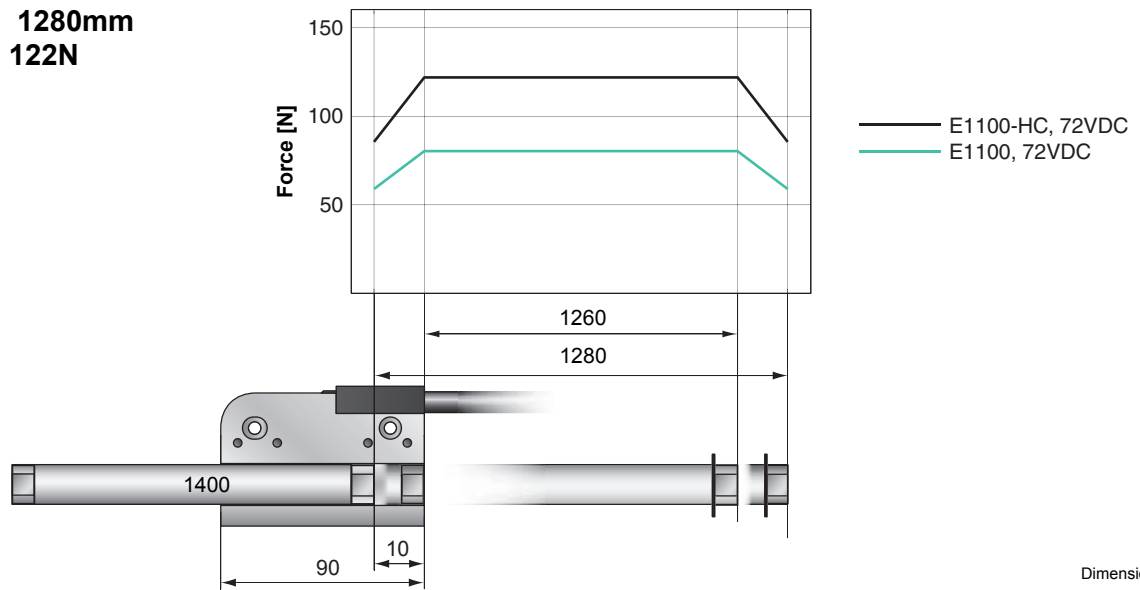


PS01-37Sx60-HP-N	Stator HP with N-connector IP50	0150-1295
------------------	---------------------------------	-----------



PL01-20x1200/1140-HP	High Performance Slider	0150-1515
PL02-20x1200/1140-HP	High Performance Slider, Heavy Duty	on request

Max. Stroke: 1280mm  
 Max. Force: 122N



Dimensions in mm

**Motor Specification**

Stator		Standard Winding
Slider		High Performance High Performance Heavy Duty
Standard Stroke SS	mm (in)	1260 (49.61)
Extended Stroke ES	mm (in)	1280 (50.39)
Max. Force	N (lbf)	122 (28.6)
Cont. Force	N (lbf)	20 (4.50)
Cont. Force with fan	N (lbf)	35 (7.87)
Max. Velocity	m/s (in/s)	5.0
Max. Current	A	12.0
Cont. Current	A	3.0
Cont. Current with fan	A	5.0
Force Constant	N/A (lbf/A)	10.2 (2.30)
Border Force	%	67
Linearity	%	±0.1
Slider Length	mm (in)	1400 (55.12)
Slider Mass	g (lb)	3170 (6.99)

**Ordering Information**



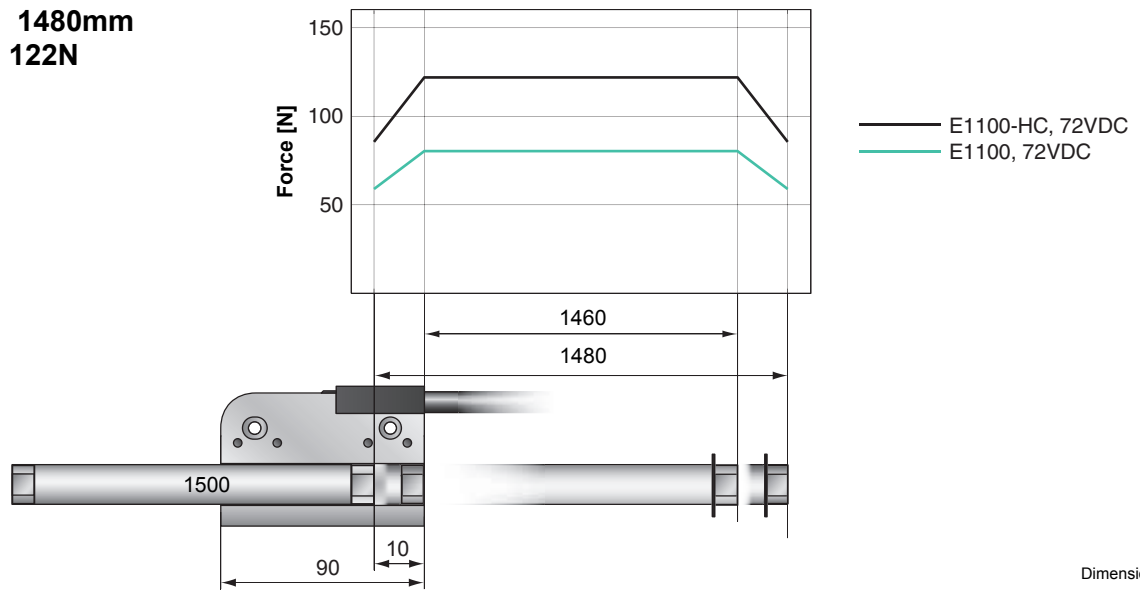
PS01-37Sx60-HP-N	Stator HP with N-connector IP50	0150-1295
------------------	---------------------------------	-----------



PL01-20x1400/1340-HP	High Performance Slider	0150-1516
PL02-20x1400/1340-HP	High Performance Slider, Heavy Duty	on request



**Max. Stroke:** 1480mm  
**Max. Force:** 122N



Dimensions in mm

## Motor Specification

Stator		Standard Winding
Slider		High Performance High Performance Heavy Duty
Standard Stroke SS	mm (in)	1460 (57.48)
Extended Stroke ES	mm (in)	1480 (58.27)
Max. Force	N (lbf)	122 (28.6)
Cont. Force	N (lbf)	20 (4.50)
Cont. Force with fan	N (lbf)	35 (7.87)
Max. Velocity	m/s (in/s)	5.0
Max. Current	A	12.0
Cont. Current	A	3.0
Cont. Current with fan	A	5.0
Force Constant	N/A (lbf/A)	10.2 (2.30)
Border Force	%	67
Linearity	%	±0.1
Slider Length	mm (in)	1600 (62.99)
Slider Mass	g (lb)	3640 (8.02)

## Ordering Information



PS01-37Sx60-HP-N	Stator HP with N-connector IP50	0150-1295
------------------	---------------------------------	-----------

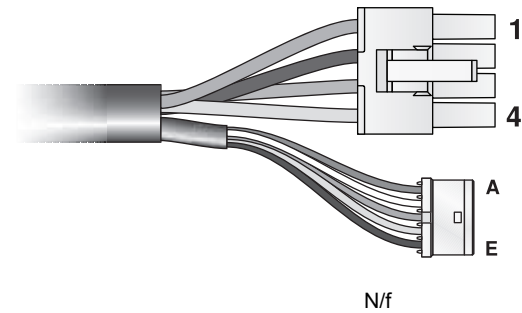


PL01-20x1600/1540-HP	High Performance Slider	0150-1517
PL02-20x1600/1540-HP	High Performance Slider, Heavy Duty	on request

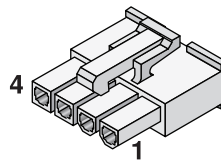


N-Connector

Motor Connector Wiring

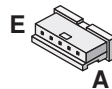


Power Connector



Pin 1	red	Phase 1+
Pin 2	pink	Phase 1-
Pin 3	blue	Phase 2+
Pin 4	grey	Phase 2-

Signal Connector



Pin A	white	+5V
Pin B	inner Shield	Ground
Pin C	yellow	Sensor Sin
Pin D	green	Sensor Cos
Pin E	black	Temp sensor
case	outerShield	shield

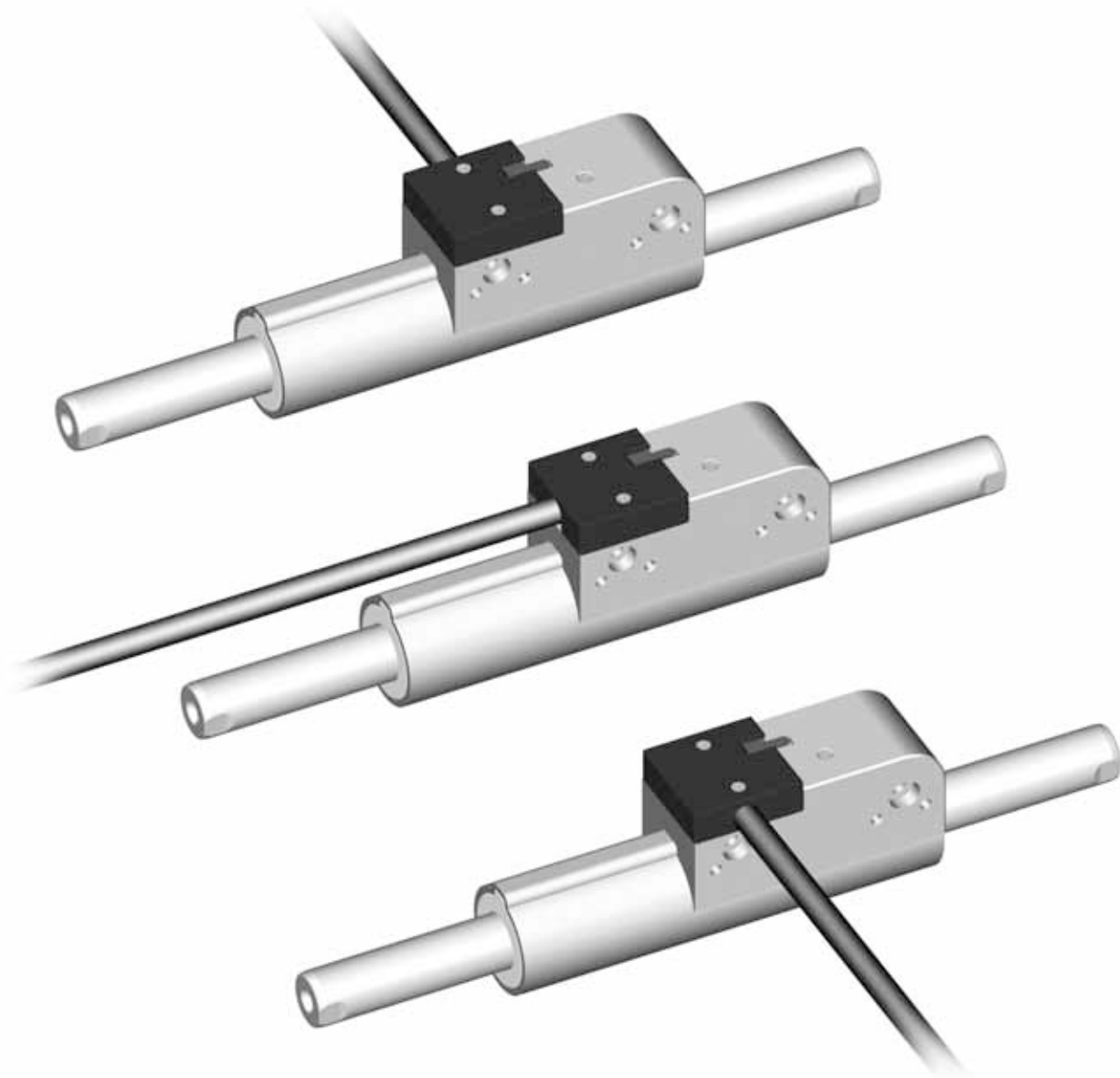
Ordering Information

High Flex Motor Cable directly to the Drive

Item	Description	Part Number
KS05-W/N-2	High Flex cable W/N, 2m	0150-2296
KS05-W/N-4	High Flex cable W/N, 4m	0150-2297
KS05-W/N-6	High Flex cable W/N, 6m	0150-2298
KS05-W/N-8	High Flex cable W/N, 8m	0150-2299
KS05-W/N-	High Flex cable W/N. Custom Length	0150-3412

Connectors & Cable

KS05-04/05	High Flex cable per m	0150-1938
KR05-W/R-	Robot cable W/R, per m	0150-3406
MC01-N/f	N/f connector	0150-3407
MC01-N/f-as	N/f connector, assembled	0150-3408



**Series P01-37Sx120F-HP 260**

**P01-37Sx120F/40x120-HP 263**

**P01-37Sx120F/100x180-HP 264**

**P01-37Sx120F/160x240-HP 265**

**P01-37Sx120F/200x280-HP 266**

**P01-37Sx120F/300x380-HP 267**

**P01-37Sx120F/400x480-HP 268**

**P01-37Sx120F/500x580-HP 269**

**P01-37Sx120F/600x680-HP 270**

**P01-37Sx120F/700x780-HP 271**

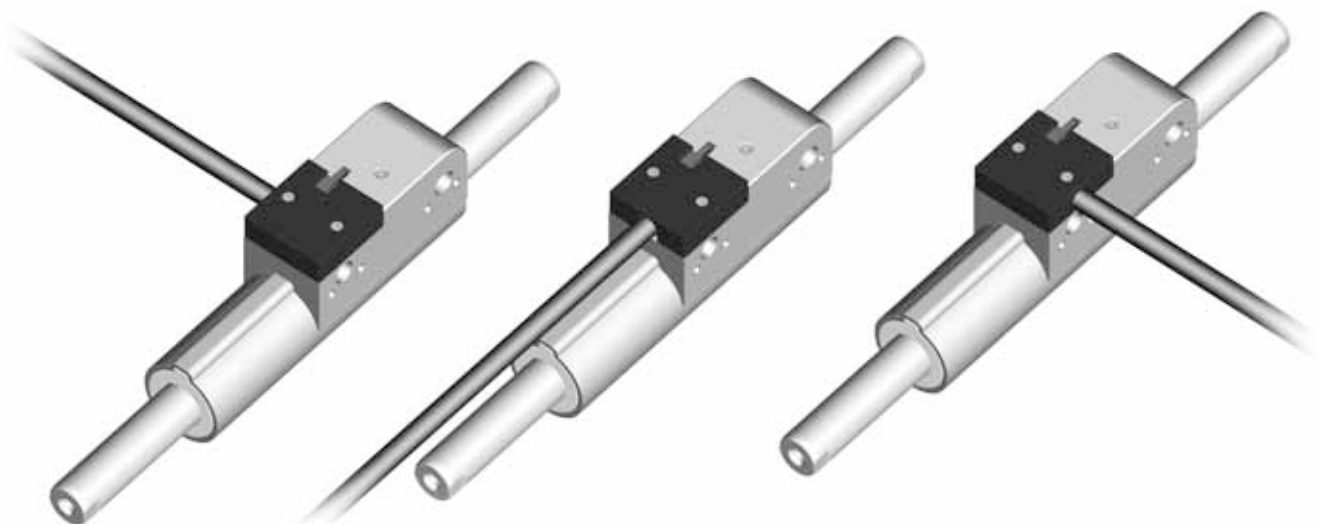
**P01-37Sx120F/800x880-HP 272**

**P01-37Sx120F/1000x1080-HP 273**

**P01-37Sx120F/1200x1280-HP 274**

**P01-37Sx120F/1400x1480-HP 275**

**Motor Cable 276**



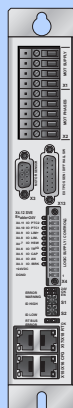
## Motor Specification

		P01-37Sx120F-HP/...
Maximum Stroke	mm (in)	1480 (58.27)
Maximum Force	N (lbf)	255 (57.3)
Maximum Velocity	m/s (in/s)	3.2 (126)
Max. Current	A	15
Cont. Current	A	4
Phase Resist. 25 °C	Ohm	2.3
Phase Resist. 80 °C	Ohm	3.2
Phase Inductance	mH	1.6
Thermal Resistance	°K/W	3.2
Thermal Time Const.	sec	4500
Stator Diameter	mm (in)	37 (1.46) / 38 (1.50)
Stator Length	mm (in)	150 (5.91)
Stator Mass	g (lb)	792
Slider Diameter	mm (in)	20 (0.79)
Position Resolution	mm (in)	0.01
Position Repeatability	mm (in)	±0.05 (±0.0020)
Position Resolution ES	mm (in)	0.001
Repeatability with EPS	mm (in)	±0.01 (±0.0004)

## Accessories



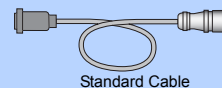
Servo Drive:  
E1100



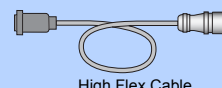
E1200



B1100-HC



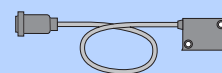
Standard Cable



High Flex Cable

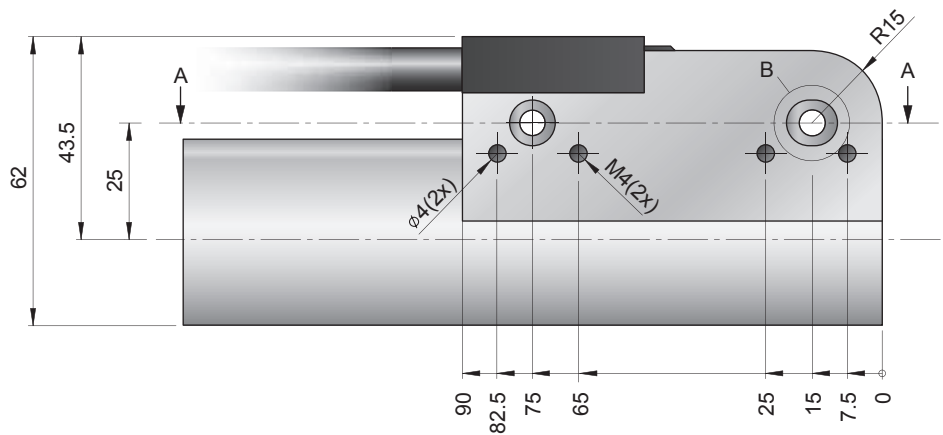
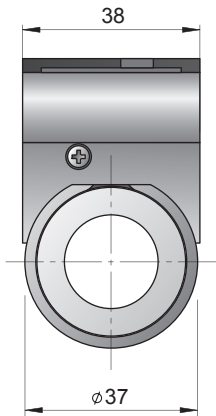


Robotic Cable

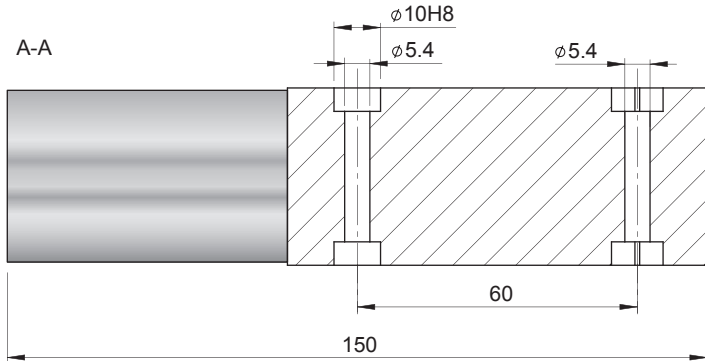
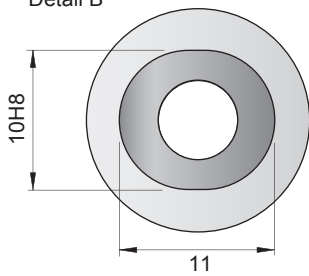


Optional Linear Encoder

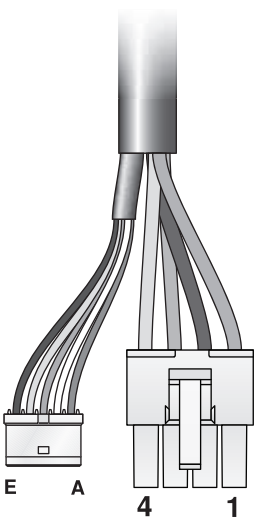
## Stator



Detail B



### N-Connector

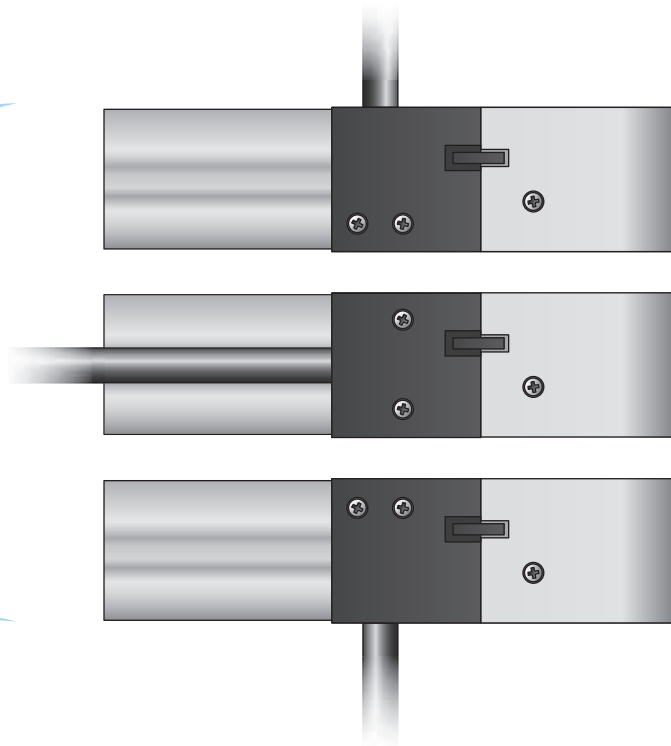


### Motor Connector Wiring

Pin 1	red	Phase 1+
Pin 2	pink	Phase 1-
Pin 3	blue	Phase 2+
Pin 4	grey	Phase 2-

Pin A	white	+5V
Pin B	inner Shield	GND
Pin C	yellow	Sensor Sin
Pin D	green	Sensor Cos
Pin E	black	Temp sensor
case	outer Shield	shield

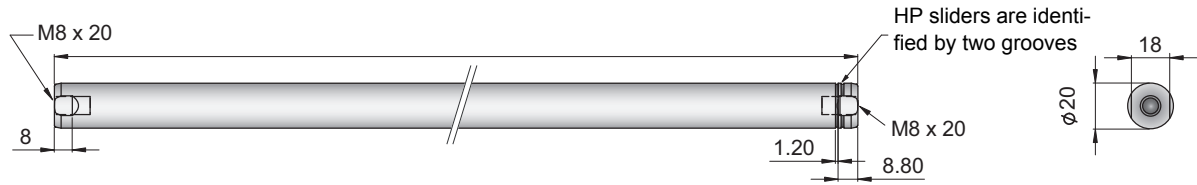
Stators are shipped with three covers for left/right/straight cable outlet



### Ordering Information

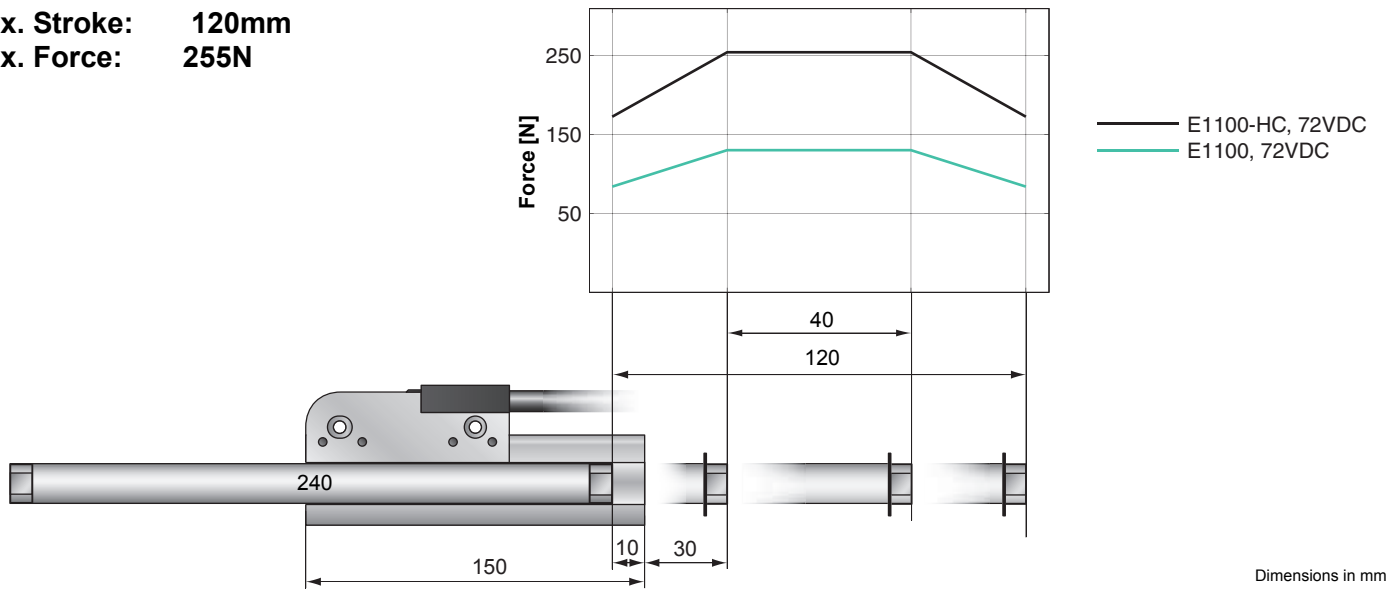
Item	Description	Part Number
PS01-37Sx120F-HP-N	Stator HP with N-connector IP50	0150-1296

Sliders



High Performance Slider		Length [mm]	Stroke [mm]	Part Number
PL01-20x240/180-HP	slider "High Performance"	240	40x120	0150-1505
PL01-20x300/240-HP	slider "High Performance"	300	100x180	0150-1506
PL01-20x360/300-HP	slider "High Performance"	360	160x240	0150-1507
PL01-20x400/340-HP	slider "High Performance"	400	200x280	0150-1508
PL01-20x500/440-HP	slider "High Performance"	500	300x380	0150-1509
PL01-20x600/540-HP	slider "High Performance"	600	400x480	0150-1510
PL01-20x700/640-HP	slider "High Performance"	700	500x580	0150-1511
PL01-20x800/740-HP	slider "High Performance"	800	600x680	0150-1512
PL01-20x900/840-HP	slider "High Performance"	900	700x780	0150-1513
PL01-20x1000/940-HP	slider "High Performance"	1000	800x880	0150-1514
PL01-20x1200/1140-HP	slider "High Performance"	1200	1000x1080	0150-1515
PL01-20x1400/1340-HP	slider "High Performance"	1400	1200x1280	0150-1516
PL01-20x1600/1540-HP	slider "High Performance"	1600	1400x1480	0150-1517

**Max. Stroke:** 120mm  
**Max. Force:** 255N

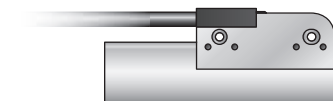


Dimensions in mm

## Motor Specification

Stator		Standard Winding
Slider		High Performance High Performance Heavy Duty
Standard Stroke SS	mm (in)	40 (1.57)
Extended Stroke ES	mm (in)	120 (4.72)
Max. Force	N (lbf)	255 (57.3)
Cont. Force	N (lbf)	35 (7.87)
Cont. Force with fan	N (lbf)	65 (14.6)
Max. Velocity	m/s (in/s)	3.9 (154)
Max. Current	A <sub>pk</sub>	15
Cont. Current	A <sub>pk</sub>	2.35
Cont. Current with fan	A <sub>pk</sub>	4.10
Force Constant	N/A (lbf/A)	17 (3.83)
Border Force	%	67
Linearity	%	±0.1
Slider Length	mm (in)	240 (8.45)
Slider Mass	g (lb)	510 (1.12)

## Ordering Information

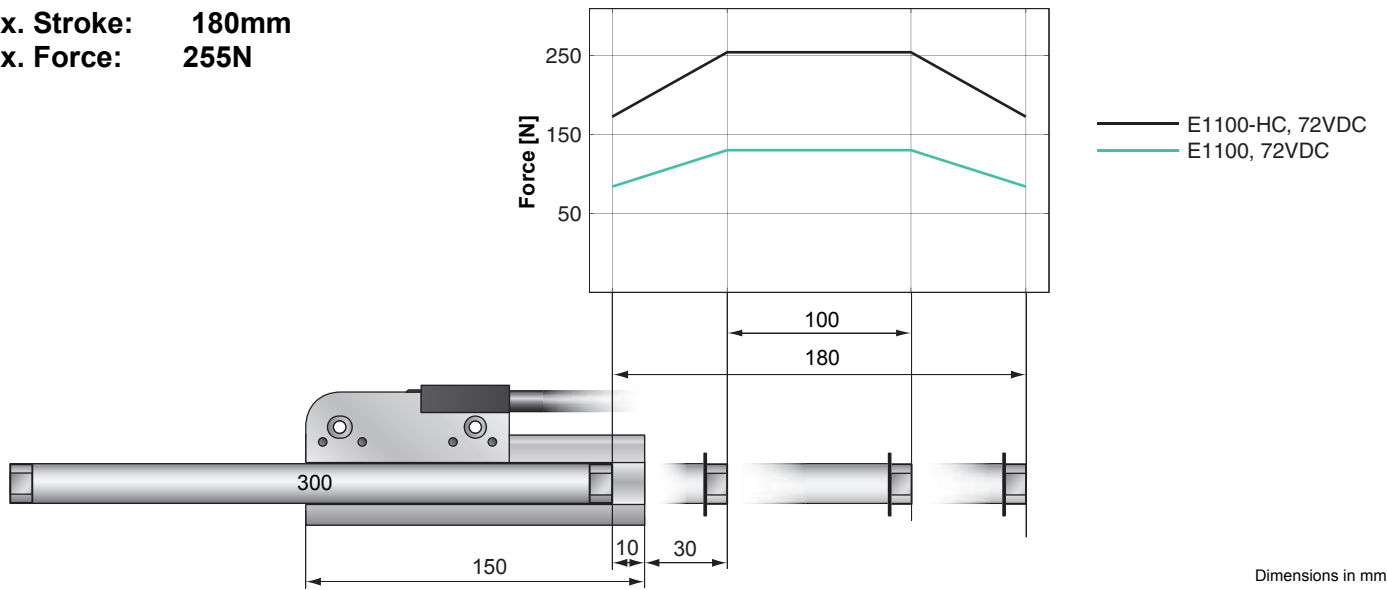


PS01-37Sx120F-HP-N	Stator HP with N-connector IP50	0150-1296
--------------------	---------------------------------	-----------



PL01-20x240/180-HP	High Performance Slider	0150-1505
PL02-20x240/180-HP	High Performance Slider, Heavy Duty	on request

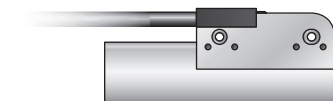
**Max. Stroke: 180mm**  
**Max. Force: 255N**



## Motor Specification

Stator		Standard Winding
Slider		High Performance High Performance Heavy Duty
Standard Stroke SS	mm (in)	100 (3.94)
Extended Stroke ES	mm (in)	180 (7.09)
Max. Force	N (lbf)	255 (57.3)
Cont. Force	N (lbf)	35 (7.87)
Cont. Force with fan	N (lbf)	65 (14.6)
Max. Velocity	m/s (in/s)	3.9 (154)
Max. Current	A <sub>pk</sub>	15
Cont. Current	A <sub>pk</sub>	2.35
Cont. Current with fan	A <sub>pk</sub>	4.10
Force Constant	N/A (lbf/A)	17 (3.83)
Border Force	%	67
Linearity	%	±0.1
Slider Length	mm (in)	300 (11.81)
Slider Mass	g (lb)	650 (1.43)

## Ordering Information



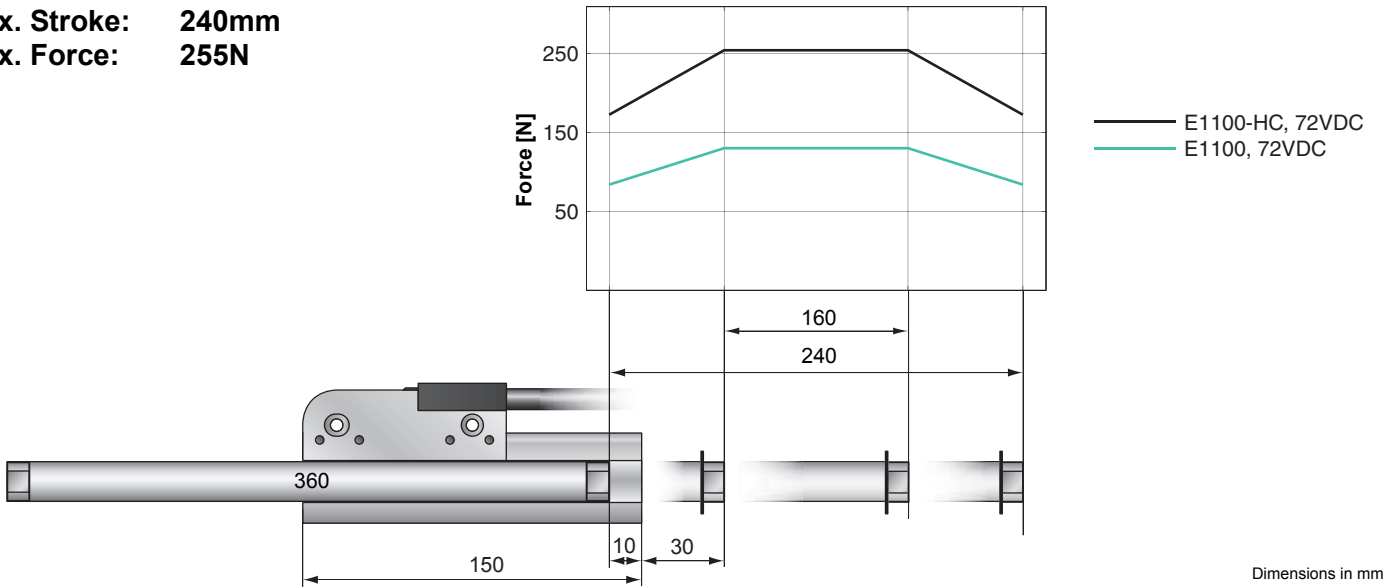
PS01-37Sx120F-HP-N	Stator HP with N-connector IP50	0150-1296
--------------------	---------------------------------	-----------



PL01-20x300/240-HP	High Performance Slider	0150-1506
PL02-20x300/240-HP	High Performance Slider, Heavy Duty	on request



**Max. Stroke: 240mm**  
**Max. Force: 255N**



## Motor Specification

Stator		Standard Winding
Slider		High Performance High Performance Heavy Duty
Standard Stroke SS	mm (in)	160 (6.30)
Extended Stroke ES	mm (in)	240 (9.45)
Max. Force	N (lbf)	255 (57.3)
Cont. Force	N (lbf)	35 (7.87)
Cont. Force with fan	N (lbf)	65 (14.6)
Max. Velocity	m/s (in/s)	3.9 (154)
Max. Current	A <sub>pk</sub>	15
Cont. Current	A <sub>pk</sub>	2.35
Cont. Current with fan	A <sub>pk</sub>	4.10
Force Constant	N/A (lbf/A)	17 (3.83)
Border Force	%	67
Linearity	%	±0.1
Slider Length	mm (in)	360 (14.17)
Slider Mass	g (lb)	800 (1.76)

## Ordering Information

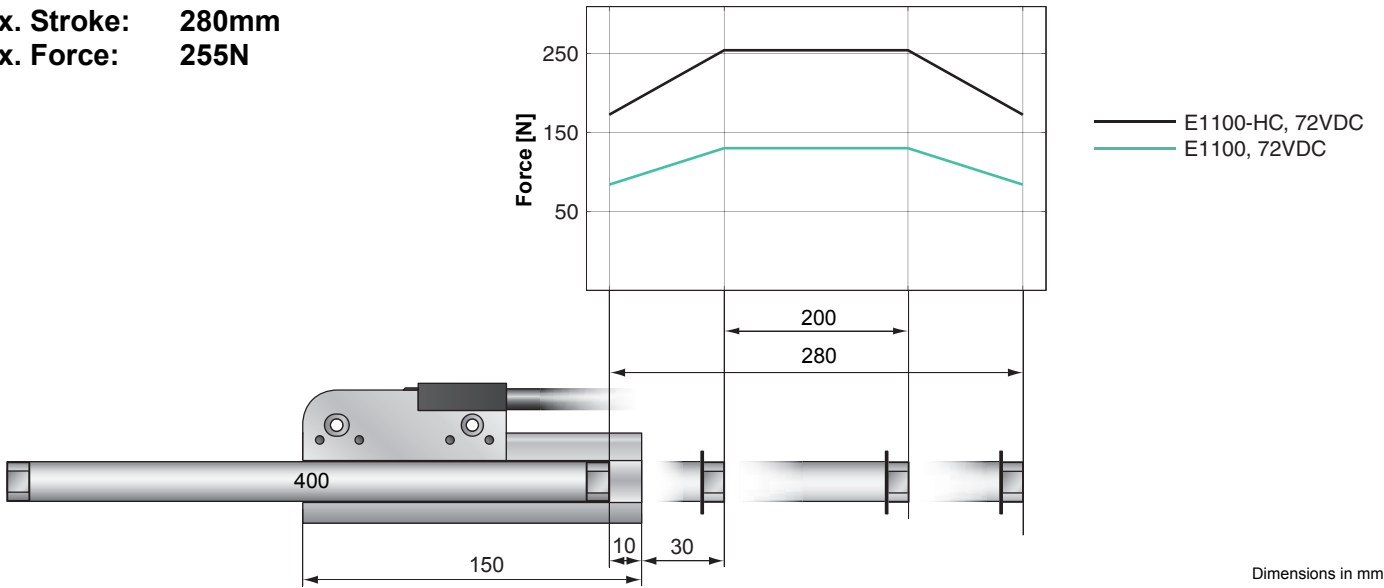


PS01-37Sx120F-HP-N	Stator HP with N-connector IP50	0150-1296
--------------------	---------------------------------	-----------



PL01-20x360/300-HP	High Performance Slider	0150-1507
PL02-20x360/300-HP	High Performance Slider, Heavy Duty	on request

**Max. Stroke: 280mm**  
**Max. Force: 255N**



## Motor Specification

Stator		Standard Winding	
		High Performance Heavy Duty	
Slider		High Performance	
Standard Stroke SS	mm (in)	200 (7.87)	
Extended Stroke ES	mm (in)	280 (11.02)	
Max. Force	N (lbf)	255 (57.3)	
Cont. Force	N (lbf)	35 (7.87)	
Cont. Force with fan	N (lbf)	65 (14.6)	
Max. Velocity	m/s (in/s)	3.9 (154)	
Max. Current	A <sub>pk</sub>	15	
Cont. Current	A <sub>pk</sub>	2.35	
Cont. Current with fan	A <sub>pk</sub>	4.10	
Force Constant	N/A (lbf/A)	17 (3.83)	
Border Force	%	67	
Linearity	%	±0.1	
Slider Length	mm (in)	400 (15.75)	
Slider Mass	g (lb)	880 (1.94)	

## Ordering Information

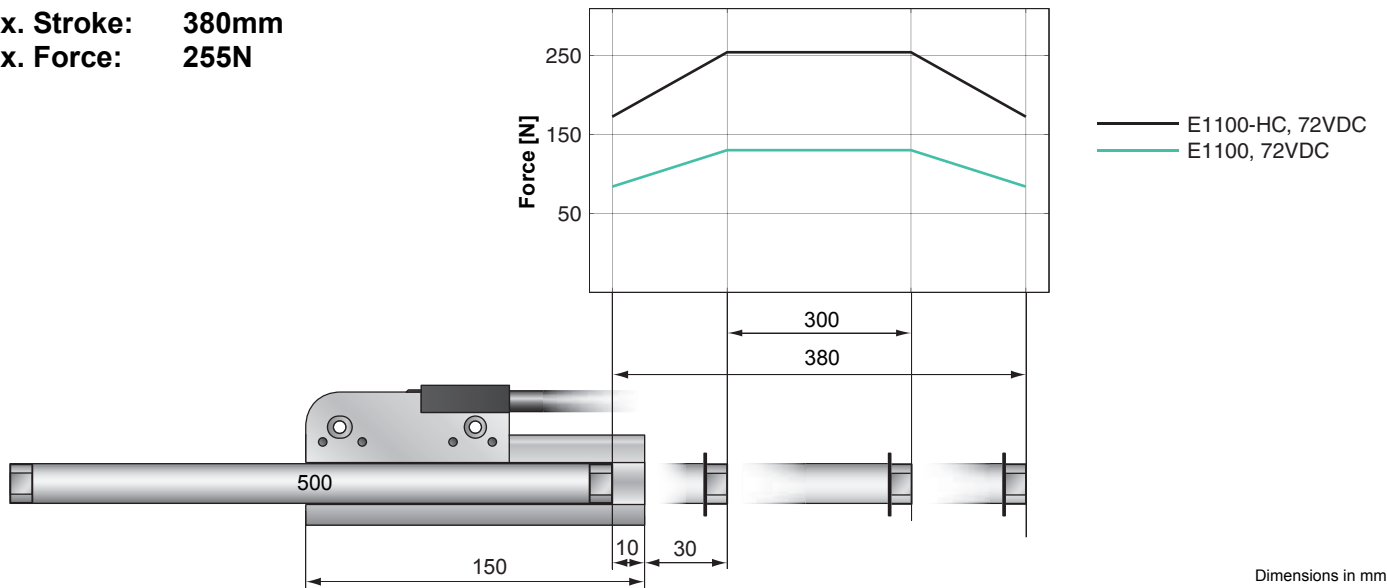


PS01-37Sx120F-HP-N	Stator HP with N-connector IP50	0150-1296
--------------------	---------------------------------	-----------



PL01-20x400/340-HP	High Performance Slider	0150-1508
PL02-20x400/340-HP	High Performance Slider, Heavy Duty	on request

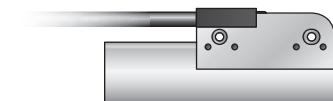
**Max. Stroke: 380mm**  
**Max. Force: 255N**



## Motor Specification

Stator		Standard Winding
Slider		High Performance High Performance Heavy Duty
Standard Stroke SS	mm (in)	300 (11.81)
Extended Stroke ES	mm (in)	380 (14.96)
Max. Force	N (lbf)	255 (57.3)
Cont. Force	N (lbf)	35 (7.87)
Cont. Force with fan	N (lbf)	65 (14.6)
Max. Velocity	m/s (in/s)	3.9 (154)
Max. Current	A <sub>pk</sub>	15
Cont. Current	A <sub>pk</sub>	2.35
Cont. Current with fan	A <sub>pk</sub>	4.10
Force Constant	N/A (lbf/A)	17 (3.83)
Border Force	%	67
Linearity	%	±0.1
Slider Length	mm (in)	500 (19.69)
Slider Mass	g (lb)	1110 (2.45)

## Ordering Information

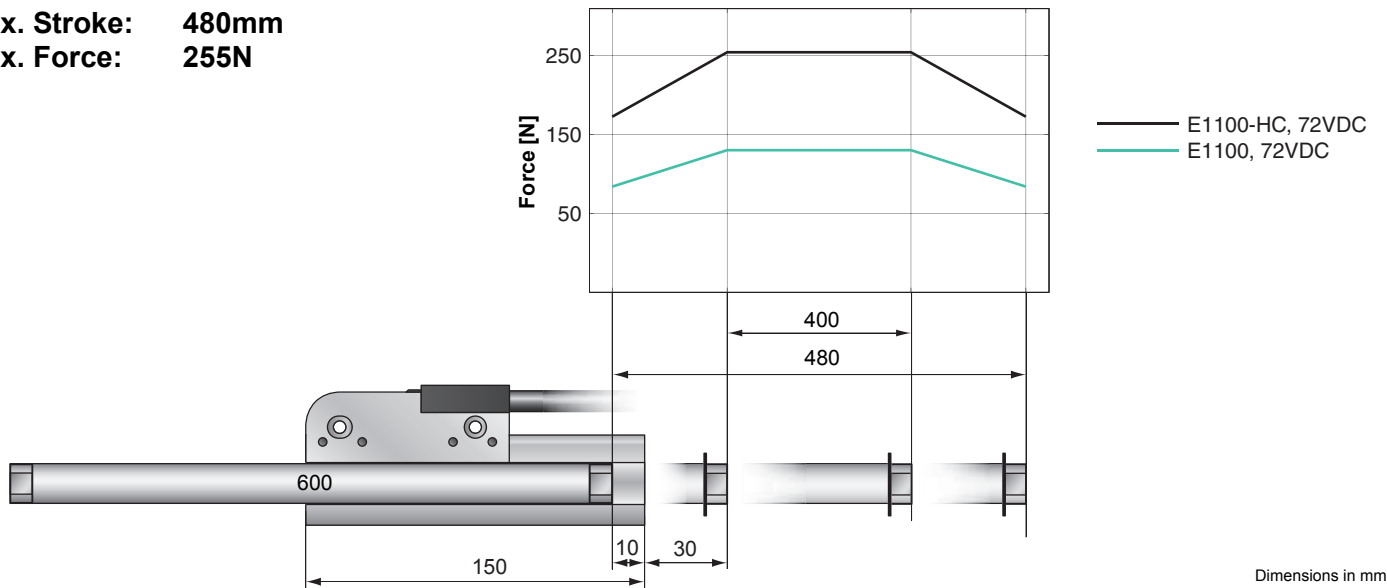


PS01-37Sx120F-HP-N	Stator HP with N-connector IP50	0150-1296
--------------------	---------------------------------	-----------



PL01-20x500/440-HP	High Performance Slider	0150-1509
PL02-20x500/440-HP	High Performance Slider, Heavy Duty	on request

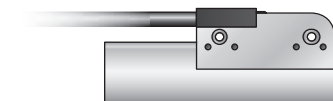
**Max. Stroke: 480mm**  
**Max. Force: 255N**



## Motor Specification

Stator		Standard Winding
Slider		High Performance High Performance Heavy Duty
Standard Stroke SS	mm (in)	400 (15.75)
Extended Stroke ES	mm (in)	480 (18.90)
Max. Force	N (lbf)	255 (57.3)
Cont. Force	N (lbf)	35 (7.87)
Cont. Force with fan	N (lbf)	65 (14.6)
Max. Velocity	m/s (in/s)	3.9 (154)
Max. Current	A <sub>pk</sub>	15
Cont. Current	A <sub>pk</sub>	2.35
Cont. Current with fan	A <sub>pk</sub>	4.10
Force Constant	N/A (lbf/A)	17 (3.83)
Border Force	%	67
Linearity	%	±0.1
Slider Length	mm (in)	600 (23.62)
Slider Mass	g (lb)	1350 (2.98)

## Ordering Information

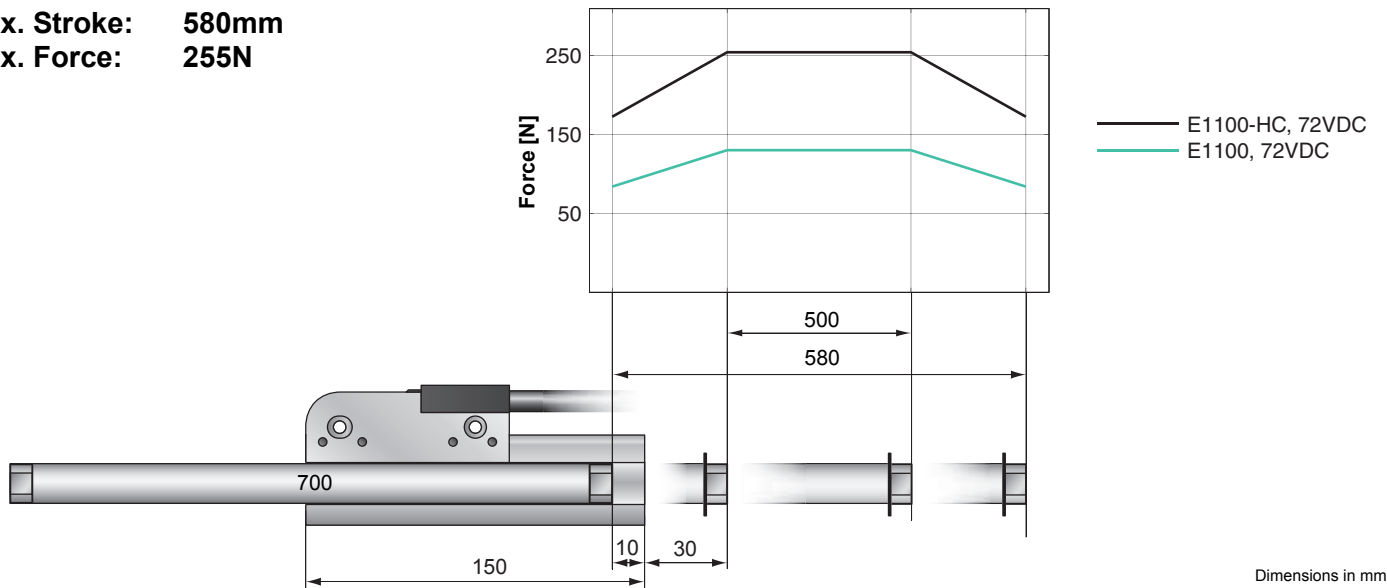


PS01-37Sx120F-HP-N	Stator HP with N-connector IP50	0150-1296
--------------------	---------------------------------	-----------



PL01-20x600/540-HP	High Performance Slider	0150-1510
PL02-20x600/540-HP	High Performance Slider, Heavy Duty	on request

**Max. Stroke: 580mm**  
**Max. Force: 255N**

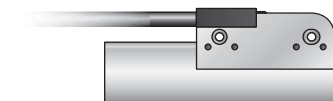


Dimensions in mm

## Motor Specification

Stator		Standard Winding
Slider		High Performance High Performance Heavy Duty
Standard Stroke SS	mm (in)	500 (19.69)
Extended Stroke ES	mm (in)	580 (22.83)
Max. Force	N (lbf)	255 (57.3)
Cont. Force	N (lbf)	35 (7.87)
Cont. Force with fan	N (lbf)	65 (14.6)
Max. Velocity	m/s (in/s)	3.9 (154)
Max. Current	A <sub>pk</sub>	15
Cont. Current	A <sub>pk</sub>	2.35
Cont. Current with fan	A <sub>pk</sub>	4.10
Force Constant	N/A (lbf/A)	17 (3.83)
Border Force	%	67
Linearity	%	±0.1
Slider Length	mm (in)	700 (27.56)
Slider Mass	g (lb)	1580 (3.48)

## Ordering Information

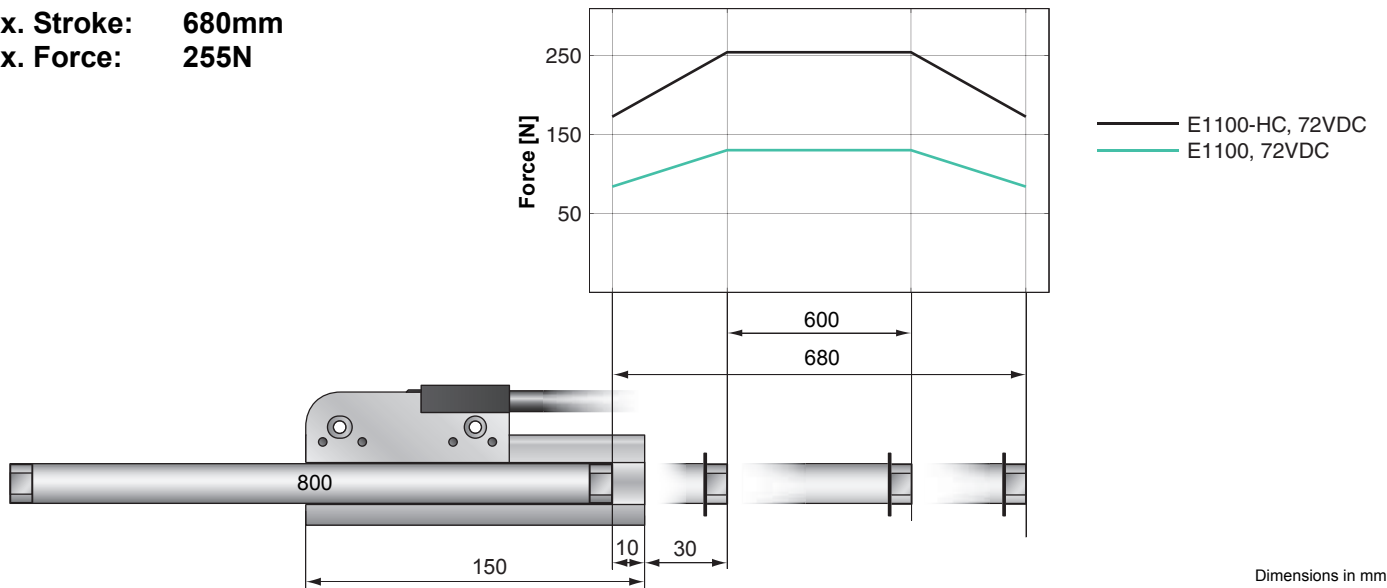


PS01-37Sx120F-HP-N	Stator HP with N-connector IP50	0150-1296
--------------------	---------------------------------	-----------



PL01-20x700/640-HP	High Performance Slider	0150-1511
PL02-20x700/640-HP	High Performance Slider, Heavy Duty	on request

**Max. Stroke: 680mm**  
**Max. Force: 255N**



Dimensions in mm

## Motor Specification

Stator		Standard Winding
Slider		High Performance High Performance Heavy Duty
Standard Stroke SS	mm (in)	600 (23.62)
Extended Stroke ES	mm (in)	680 (26.77)
Max. Force	N (lbf)	255 (57.3)
Cont. Force	N (lbf)	35 (7.87)
Cont. Force with fan	N (lbf)	65 (14.6)
Max. Velocity	m/s (in/s)	3.9 (154)
Max. Current	A <sub>pk</sub>	15
Cont. Current	A <sub>pk</sub>	2.35
Cont. Current with fan	A <sub>pk</sub>	4.10
Force Constant	N/A (lbf/A)	17 (3.83)
Border Force	%	67
Linearity	%	±0.1
Slider Length	mm (in)	800 (31.50)
Slider Mass	g (lb)	1810 (3.99)

## Ordering Information

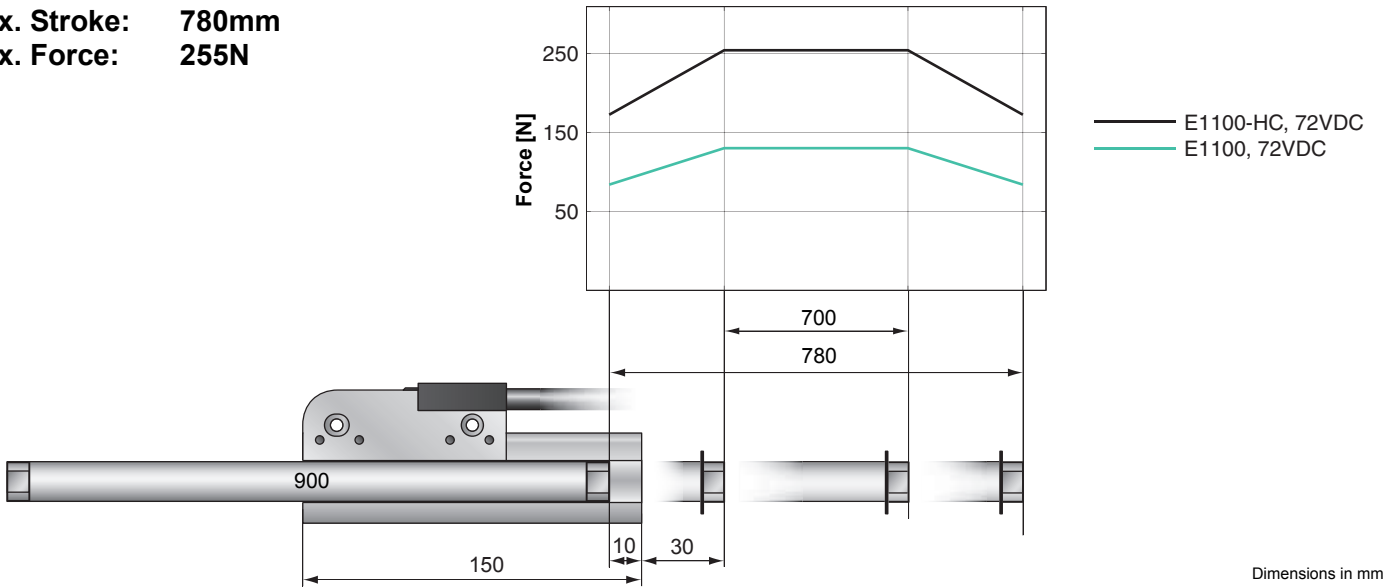


PS01-37Sx120F-HP-N	Stator HP with N-connector IP50	0150-1296
--------------------	---------------------------------	-----------



PL01-20x800/740-HP	High Performance Slider	0150-1512
PL02-20x800/740-HP	High Performance Slider, Heavy Duty	on request

**Max. Stroke: 780mm**  
**Max. Force: 255N**



## Motor Specification

Stator		Standard Winding
Slider		High Performance High Performance Heavy Duty
Standard Stroke SS	mm (in)	700 (27.56)
Extended Stroke ES	mm (in)	780 (30.71)
Max. Force	N (lbf)	255 (57.3)
Cont. Force	N (lbf)	35 (7.87)
Cont. Force with fan	N (lbf)	65 (14.6)
Max. Velocity	m/s (in/s)	3.9 (154)
Max. Current	A <sub>pk</sub>	15
Cont. Current	A <sub>pk</sub>	2.35
Cont. Current with fan	A <sub>pk</sub>	4.10
Force Constant	N/A (lbf/A)	17 (3.83)
Border Force	%	67
Linearity	%	±0.1
Slider Length	mm (in)	900 (35.43)
Slider Mass	g (lb)	2040 (4.50)

## Ordering Information

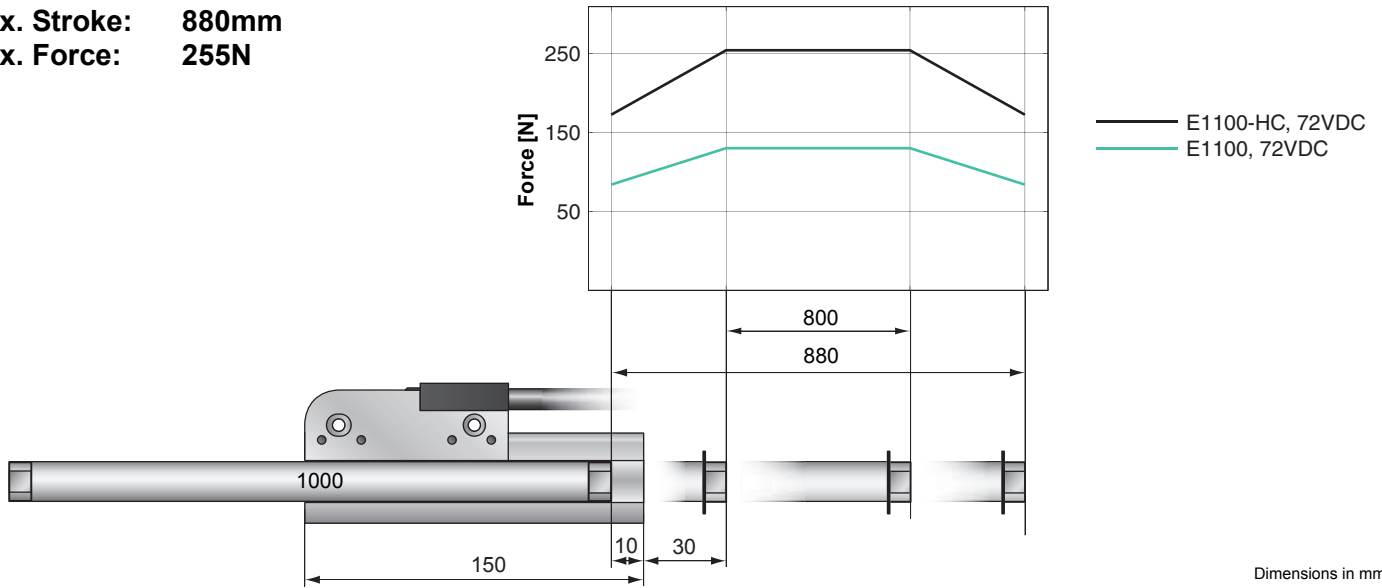


PS01-37Sx120F-HP-N	Stator HP with N-connector IP50	0150-1296
--------------------	---------------------------------	-----------



PL01-20x900/840-HP	High Performance Slider	0150-1513
PL01-20x900/840-HP	High Performance Slider, Heavy Duty	on request

**Max. Stroke: 880mm**  
**Max. Force: 255N**



## Motor Specification

Stator		Standard Winding
Slider		High Performance High Performance Heavy Duty
Standard Stroke SS	mm (in)	800 (31.50)
Extended Stroke ES	mm (in)	880 (34.65)
Max. Force	N (lbf)	255 (57.3)
Cont. Force	N (lbf)	35 (7.87)
Cont. Force with fan	N (lbf)	65 (14.6)
Max. Velocity	m/s (in/s)	3.9 (154)
Max. Current	A <sub>pk</sub>	15
Cont. Current	A <sub>pk</sub>	2.35
Cont. Current with fan	A <sub>pk</sub>	4.10
Force Constant	N/A (lbf/A)	17 (3.83)
Border Force	%	67
Linearity	%	±0.1
Slider Length	mm (in)	1000 (39.37)
Slider Mass	g (lb)	2270 (5.00)

## Ordering Information



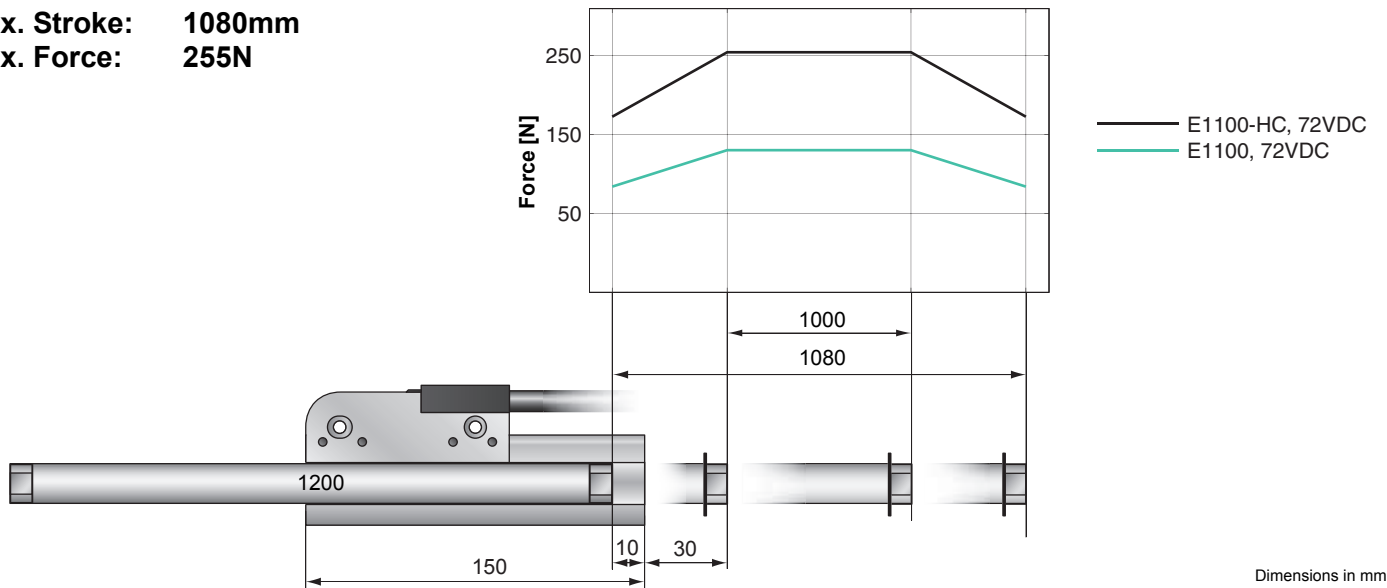
PS01-37Sx120F-HP-N	Stator HP with N-connector IP50	0150-1296
--------------------	---------------------------------	-----------



PL01-20x1000/940-HP	High Performance Slider	0150-1514
PL02-20x1000/940-HP	High Performance Slider, Heavy Duty	on request



**Max. Stroke: 1080mm**  
**Max. Force: 255N**

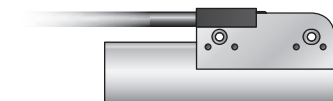


Dimensions in mm

## Motor Specification

Stator		Standard Winding
Slider		High Performance High Performance Heavy Duty
Standard Stroke SS	mm (in)	1000 (39.37)
Extended Stroke ES	mm (in)	1080 (42.52)
Max. Force	N (lbf)	255 (57.3)
Cont. Force	N (lbf)	35 (7.87)
Cont. Force with fan	N (lbf)	65 (14.6)
Max. Velocity	m/s (in/s)	3.9 (154)
Max. Current	A <sub>pk</sub>	15
Cont. Current	A <sub>pk</sub>	2.35
Cont. Current with fan	A <sub>pk</sub>	4.10
Force Constant	N/A (lbf/A)	17 (3.83)
Border Force	%	67
Linearity	%	±0.1
Slider Length	mm (in)	1200 (47.24)
Slider Mass	g (lb)	2740 (6.04)

## Ordering Information

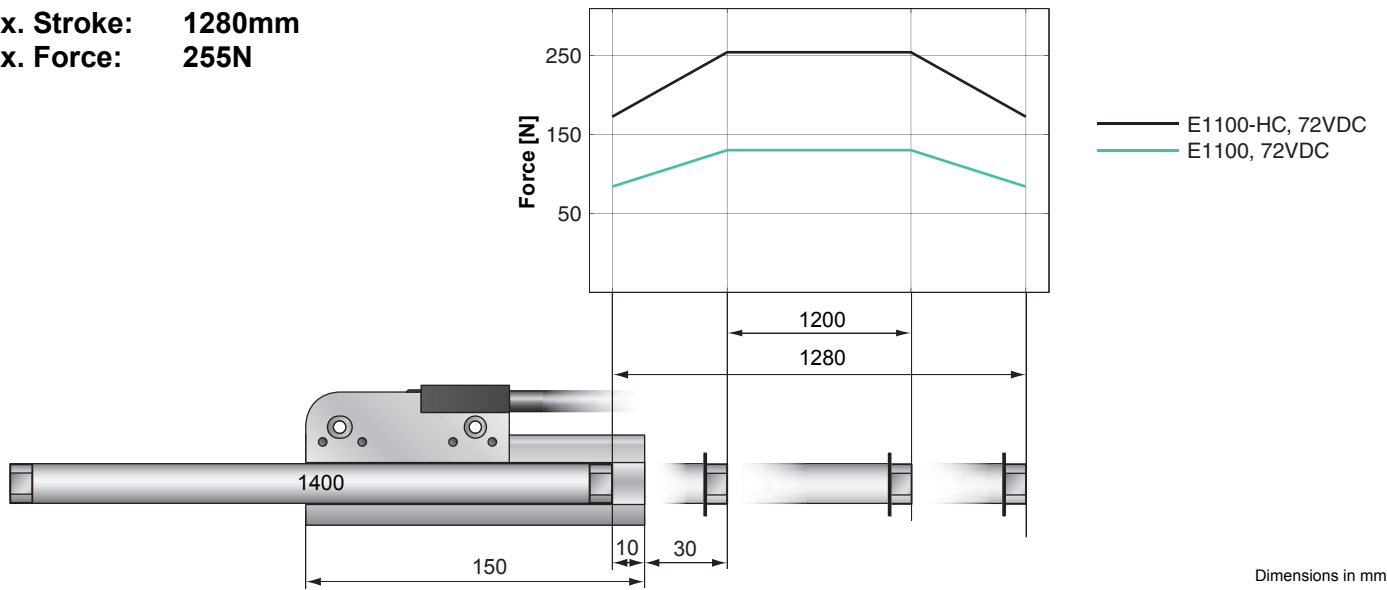


PS01-37Sx120F-HP-N	Stator HP with N-connector IP50	0150-1296
--------------------	---------------------------------	-----------



PL01-20x1200/1140-HP	High Performance Slider	0150-1515
PL02-20x1200/1140-HP	High Performance Slider, Heavy Duty	on request

Max. Stroke: 1280mm  
 Max. Force: 255N



Dimensions in mm

**Motor Specification**

Stator		Standard Winding
Slider		High Performance High Performance Heavy Duty
Standard Stroke SS	mm (in)	1200 (47.24)
Extended Stroke ES	mm (in)	1280 (50.39)
Max. Force	N (lbf)	255 (57.3)
Cont. Force	N (lbf)	35 (7.87)
Cont. Force with fan	N (lbf)	65 (14.6)
Max. Velocity	m/s (in/s)	3.9 (154)
Max. Current	A <sub>pk</sub>	15
Cont. Current	A <sub>pk</sub>	2.35
Cont. Current with fan	A <sub>pk</sub>	4.10
Force Constant	N/A (lbf/A)	17 (3.83)
Border Force	%	67
Linearity	%	±0.1
Slider Length	mm (in)	1400 (55.12)
Slider Mass	g (lb)	3170 (6.99)

**Ordering Information**

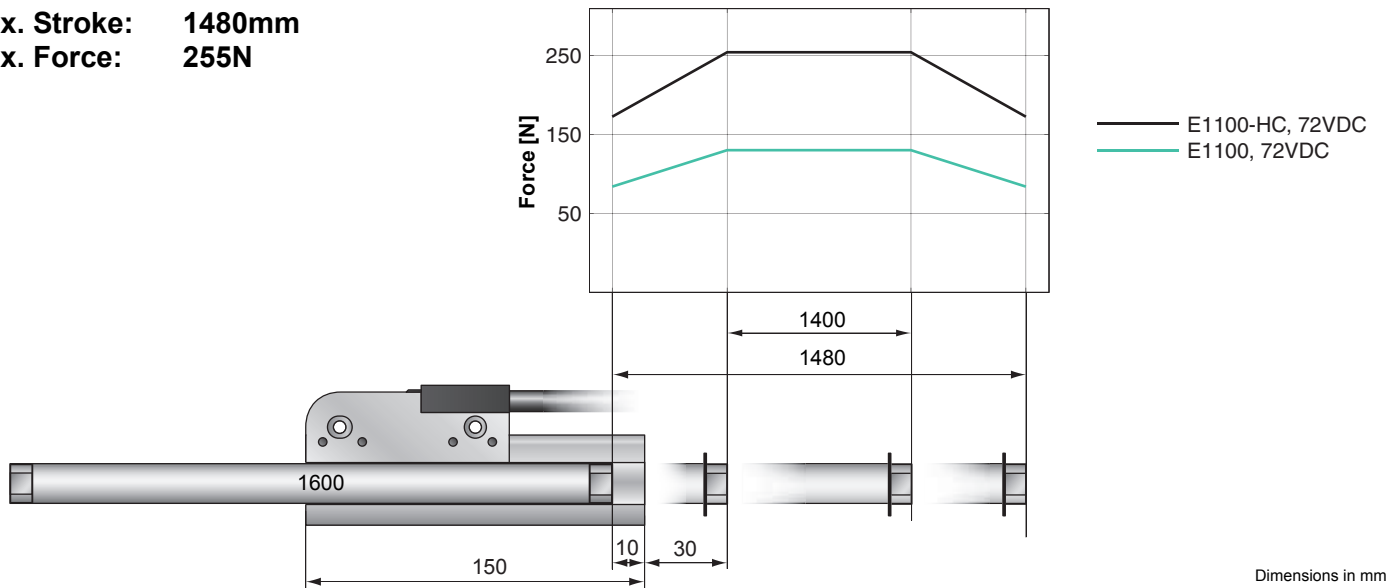


PS01-37Sx120F-HP-N	Stator HP with N-connector IP50	0150-1296
--------------------	---------------------------------	-----------



PL01-20x1400/1340-HP	High Performance Slider	0150-1516
PL02-20x1400/1340-HP	High Performance Slider, Heavy Duty	on request

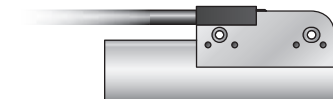
**Max. Stroke: 1480mm**  
**Max. Force: 255N**



## Motor Specification

Stator		Standard Winding
Slider		High Performance High Performance Heavy Duty
Standard Stroke SS	mm (in)	1400 (55.12)
Extended Stroke ES	mm (in)	1480 (58.27)
Max. Force	N (lbf)	255 (57.3)
Cont. Force	N (lbf)	35 (7.87)
Cont. Force with fan	N (lbf)	65 (14.6)
Max. Velocity	m/s (in/s)	3.9 (154)
Max. Current	A <sub>pk</sub>	15
Cont. Current	A <sub>pk</sub>	2.35
Cont. Current with fan	A <sub>pk</sub>	4.10
Force Constant	N/A (lbf/A)	17 (3.83)
Border Force	%	67
Linearity	%	±0.1
Slider Length	mm (in)	1600 (62.99)
Slider Mass	g (lb)	3640 (8.02)

## Ordering Information



PS01-37Sx120F-HP-N	Stator HP with N-connector IP50	0150-1296
--------------------	---------------------------------	-----------



PL01-20x1600/1540-HP	High Performance Slider	0150-1517
PL02-20x1600/1540-HP	High Performance Slider, Heavy Duty	on request

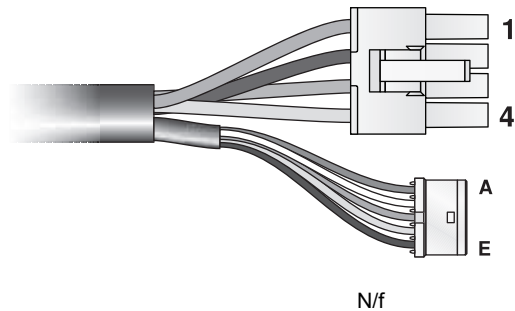
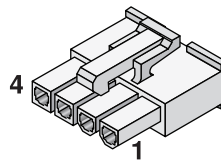


**N-Connector**

**Motor Connector Wiring**

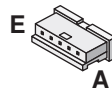
**Power Connector**

Pin 1	red	Phase 1+
Pin 2	pink	Phase 1-
Pin 3	blue	Phase 2+
Pin 4	grey	Phase 2-



**Signal Connector**

Pin A	white	+5V
Pin B	inner Shield	Ground
Pin C	yellow	Sensor Sin
Pin D	green	Sensor Cos
Pin E	black	Temp sensor
case	outerShield	shield



**Ordering Information**

**High Flex Motor Cable directly to the Drive**

Item	Description	Part Number
KS05-W/N-2	High Flex cable W/N, 2m	0150-2296
KS05-W/N-4	High Flex cable W/N, 4m	0150-2297
KS05-W/N-6	High Flex cable W/N, 6m	0150-2298
KS05-W/N-8	High Flex cable W/N, 8m	0150-2299
KS05-W/N-	High Flex cable W/N, Custom Length	0150-3412

**Connectors & Cable**

KS05-04/05	High Flex cable per m	0150-1938
KR05-W/R-	Robot cable W/R, per m	0150-3406
MC01-N/f	N/f connector	0150-3407
MC01-N/f-as	N/f connector, assembled	0150-3408