

Small capacity air pump

KP-4020(S) / 5030(S) / 6035(S)

NEW



KP-4020,5030,6035 : Pressure

KP-4020S,5030S,6035S : Pressure & vacuum

Flexible body structure

Built-in use

*No power plug included because it is designed for built-in use.

Applications

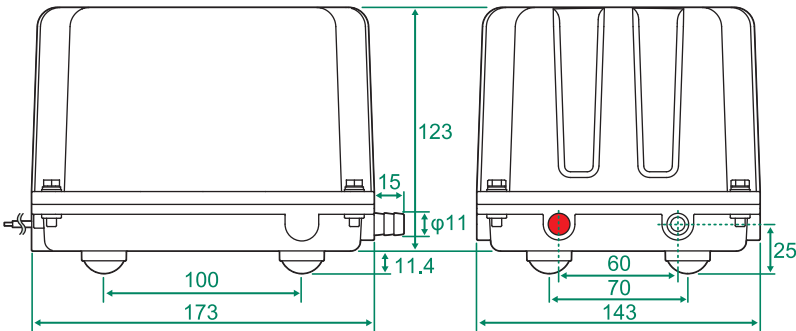
- Air mat, Air bed (continuous air exhaust)
- Air bearing
- Air massager
- Scientific & chemical instruments (analysis and agitation)

*The image shows pressure & vacuum type. Pressure type has one nozzle only. (Vacuum port is provided on the bottom or top of the pump.)

*Customization of nozzle position is available. Images to the right are examples.

Dimensions

(unit: mm)



*The figure represents the standard configuration. Customization of nozzle position is available.

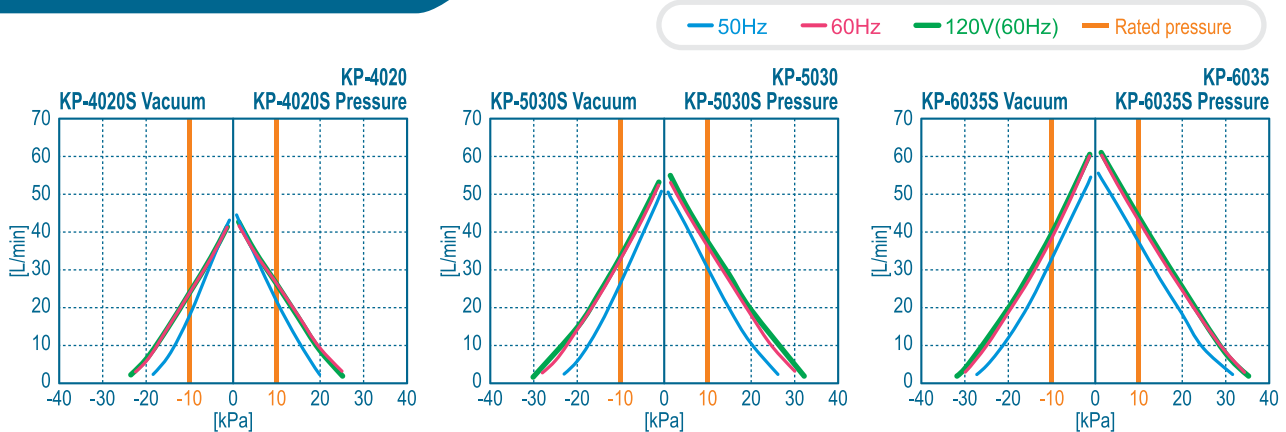
*The vacuum nozzle at the ● marked position shown in the figure is attached only on pressure & vacuum model. (The nozzle position depends on the customized configuration.)

Specifications

| | | KP-4020(S) | | KP-5030(S) | | KP-6035(S) | | | | |
|-------------------|-------|-------------------|---------------|-------------|-------------|-------------|-------------|---------------|----|------------|
| Rated voltage | V | AC100 / 120 / 230 | | | | | | | | |
| Power frequency | Hz | 50 | 60 | 120V 60 | 50 | 60 | 120V 60 | 50 | 60 | 120V 60 |
| Rated pressure | kPa | 10 (-10) | | | | | | | | |
| Airflow volume | L/min | 22 (-18.5) | 26.5 (-24) | 31 (-27) | 36 (-33) | 38 (-34) | 43 (-39) | 44 (-39.5) | | |
| Power consumption | Rated | 11.5 | 14.5 | 18 | 23 | 22 | 28 | 33 | | |
| | Max | 16 | 17 | 18 | 23 | 26 | 27 | 24 | 33 | 35 |
| Sound level | dBA | 27.5 | 28.5 | 28 | 29 | 29.5 | 31.5 | 30 | | |
| Weight | kg | 3.8 | | | | | | | | |

*The value in parentheses represents KP vacuum.

Performance Curve



* All characteristics values are only for reference, and are not guaranteed values.

* Note that the operating temperature for our pumps is 41°F(5°C) to 104°F(40°C).

ENERFLUID

ULTIMATE PNEUMATIC SOLUTIONS WORLDWIDE

HIBLOW FRANCE SPAIN

TECHNO TAKATSUKI CO.,LTD. HEAD OFFICE IN JAPAN