

Small capacity air pump

HP-20



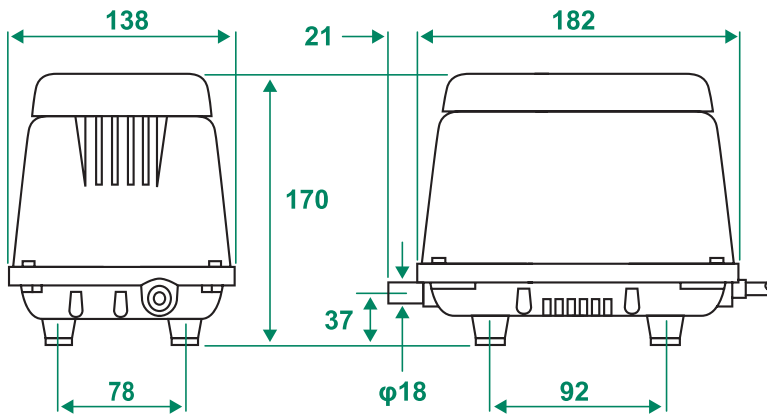
Pressure type

Outdoor (Rainproof) use

Applications

- Septic tank (biological contact aeration)
- Bubble bath (air bubble injection)
- Oxygen supply for fish breeding

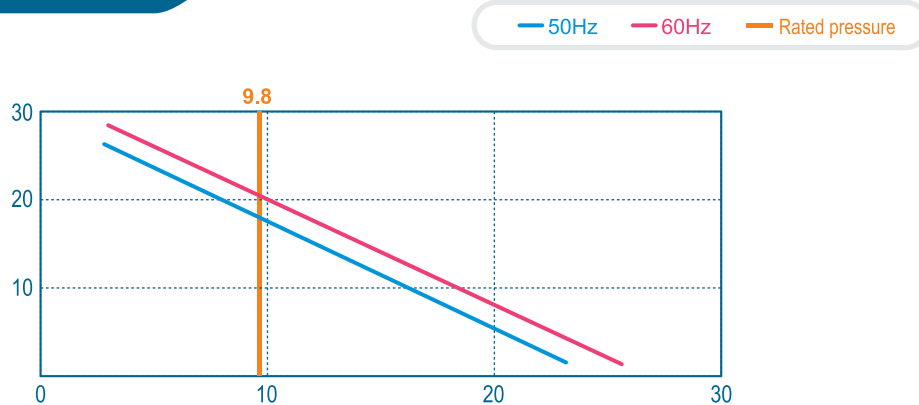
Dimensions



Specifications

		HP-20	
Rated voltage	V	AC120 / 230	
Power frequency	Hz	50	60
Rated pressure	kPa	9.8	
Airflow volume	L/min	18	20
Power consumption	W	17	
Sound level	dBA	31	
Weight	kg	3.2	

Performance Curve



* All characteristics values are only for reference, and are not guaranteed values.
 * Note that the operating temperature for our pumps is 41°F(5°C) to 104°F(40°C).

Small & medium capacity air pump

HP-40 / 60 / 80



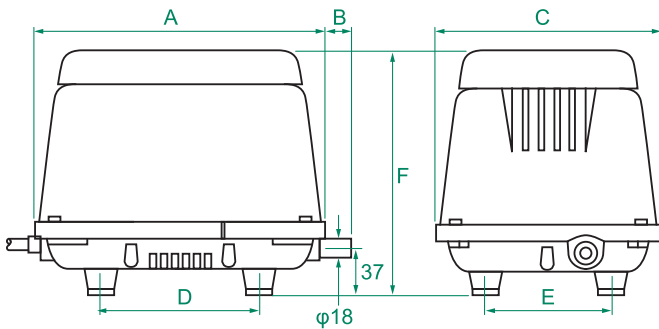
Pressure type

Outdoor (Rainproof) use

Applications

- Low frequency therapeutic equipment and other medical & scientific apparatus
- Septic tank (biological contact aeration)
- Bubble bath (air bubble injection)
- Oxygen supply for fish breeding

Dimensions



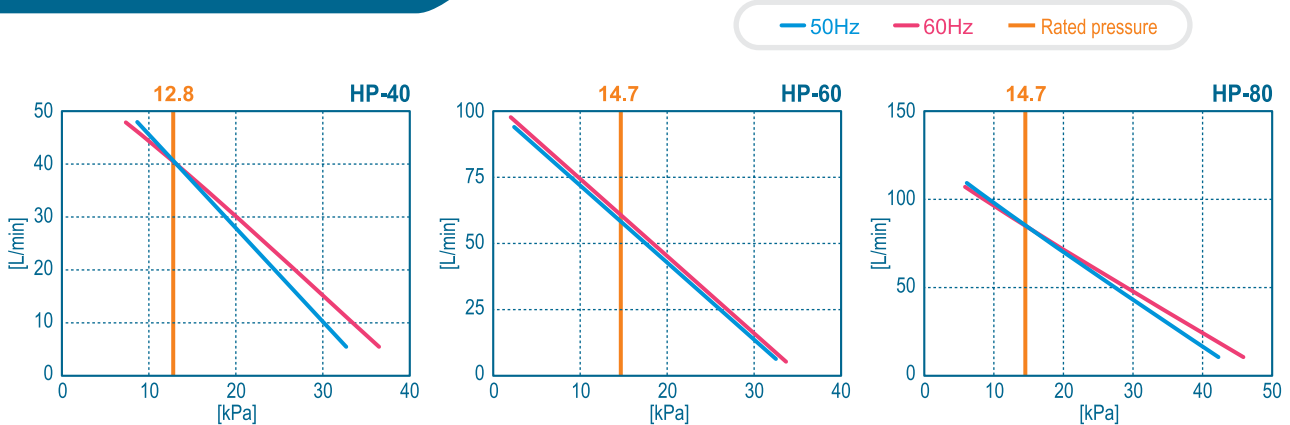
TYPE	A	B	C	D	E	F
HP-40	208	20	171	120	90	190
HP-60/80	235	21	180	130	100	196

(unit: mm)

Specifications

		HP-40	HP-60	HP-80
Rated voltage	V	AC120 / 230		
Power frequency	Hz	50	60	50 60
Rated pressure	kPa	12.8	14.7	
Airflow volume	L/min	40	60	80
Power consumption	W	38	51	71
Sound level	dBA	32	35	36
Weight	kg	5.7	7	

Performance Curve



* All characteristics values are only for reference, and are not guaranteed values.

* Note that the operating temperature for our pumps is 41°F(5°C) to 104°F(40°C).

ENERFLUID

ULTIMATE PNEUMATIC SOLUTIONS WORLDWIDE

HIBLOW FRANCE SPAIN

TECHNO TAKATSUKI CO., LTD.
HEAD OFFICE IN JAPAN

Large capacity air pump

HP-100 / 120 / 150 / 200



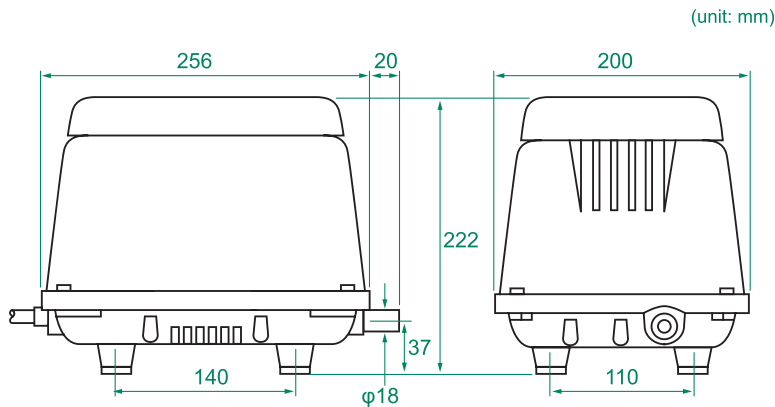
Pressure type

Outdoor (Rainproof) use

Applications

- Septic tank (biological contact aeration)
- Air injection for bubble bath
- Small capacity compressor
- Oxygen supply for fish breeding

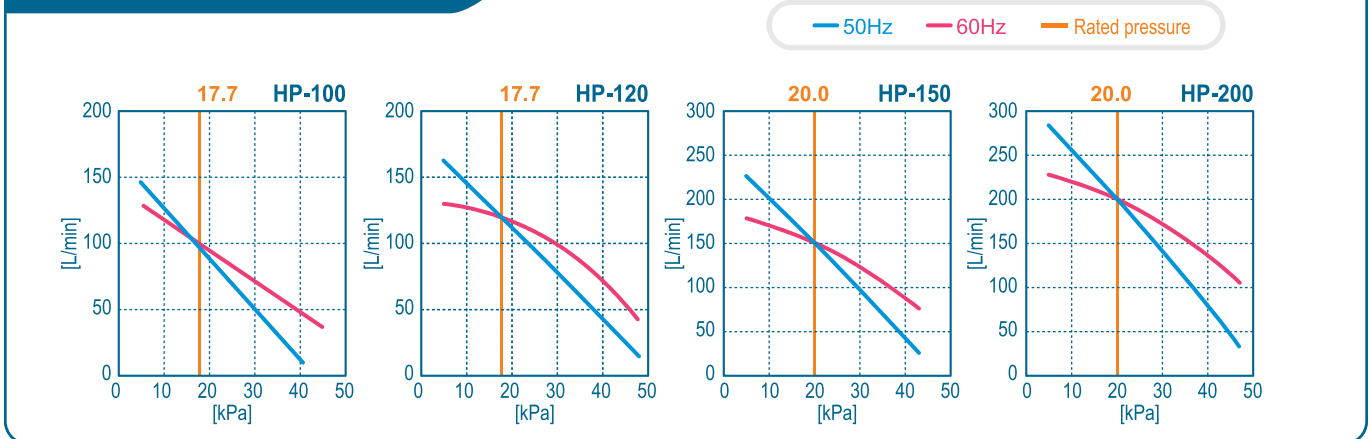
Dimensions



Specifications

	HP-100		HP-120		HP-150		HP-200	
Rated voltage	V AC100 / 120 / 230							
Power frequency	50	60	50	60	50	60	50	60
Rated pressure	17.7				20			
Airflow volume	100		120		150		200	
Power consumption	95	100	115	125	125	155	210	250
Sound level	38		40		45 47		46 48	
Weight	8.5				9			

Performance Curve



* All characteristics values are only for reference, and are not guaranteed values.
 * Note that the operating temperature for our pumps is 41°F(5°C) to 104°F(40°C).