



Maneurop[®] reciprocating compressors

NTZ - MT - MTZ - MPZ - 50 Hz

R404A - R507A - R407C - R134a - R22

PERFORMANCE DATA

NTZ R404A / R507A	Model	-45		-40		-35		-30		-25		-20		-15		-10		
		To	Qo	Pe	Qo	Pe	Qo	Pe	Qo	Pe	Qo	Pe	Qo	Pe	Qo	Pe	Qo	Pe
		Tc	Qo	Pe	Qo	Pe	Qo	Pe	Qo	Pe	Qo	Pe	Qo	Pe	Qo	Pe	Qo	Pe
NTZ048	45	190	0.35	420	0.59	710	0.84	1 240	1.09	1 700	1.34	2 240	1.57	2 860	1.79	3 570	1.99	
NTZ068	45	520	1.02	870	1.28	1290	1.54	2110	1.81	2785	2.09	3570	2.38	4490	2.68	5540	2.99	
NTZ096	45	-	-	910	1.29	1 420	1.67	2 430	2.09	3 360	2.53	4 510	2.99	5 900	3.47	7 550	3.97	
NTZ108	45	-	-	1120	1.57	1770	2.03	3010	2.49	4080	2.95	5340	3.40	680	3.85	8530	4.29	
NTZ136	45	-	-	1 570	2.27	2 360	2.86	3 890	3.47	5 200	4.08	6 750	4.69	8 570	5.29	10 710	5.87	
NTZ215	45	1 190	2.31	2 240	3.17	3 540	4.08	5 970	5.01	8 030	5.94	10 440	6.86	13 220	7.72	16 420	8.52	
NTZ271	45	2 120	3.57	3 470	4.61	5 140	5.66	8 380	6.73	11 050	7.81	14 190	8.90	17 840	10.00	22 040	11.10	
NTZ430	45	2 370	4.61	4 480	6.33	7 080	8.15	11 930	10.02	16 060	11.89	20 880	13.71	26 450	15.44	32 840	17.04	
NTZ542	45	4 240	7.14	6 940	9.21	10 290	11.32	16 760	13.46	22 110	15.62	28 380	17.80	35 670	19.99	44 080	22.20	

Legend: To: Evaporating temperature in °C Qo: Cooling capacity in W Superheat = 10K; Subcooling = 0 K Voltage: 400V / 3 / 50 Hz
Tc: Condensing temperature in °C Pe: Power input in kW Suction temp. = 20°C; Subcooling = 0 K

MT R22	Model	-25		-20		-15		-10		-5		0		5		10		15		
		To	Qo	Pe	Qo	Pe	Qo	Pe	Qo	Pe	Qo	Pe	Qo	Pe	Qo	Pe	Qo	Pe	Qo	Pe
		Tc	Qo	Pe	Qo	Pe	Qo	Pe	Qo	Pe	Qo	Pe	Qo	Pe	Qo	Pe	Qo	Pe	Qo	Pe
MT018	45	570	0.64	890	0.76	1 300	0.88	1 810	1.00	2 450	1.10	3 220	1.19	4 150	1.26	5 260	1.31	6 550	1.33	
MT022	45	740	0.77	1 280	0.95	1 920	1.12	2 670	1.29	3 540	1.44	4 560	1.56	5 720	1.66	7 040	1.73	8 550	1.76	
MT028	45	1 460	1.22	2 190	1.43	3 030	1.63	4 000	1.81	5 090	1.98	6 330	2.11	7 720	2.20	9 280	2.25	11 000	2.24	
MT032	45	1 550	1.46	2 310	1.68	3 190	1.90	4 230	2.11	5 440	2.31	6 830	2.47	8 420	2.60	10 200	2.69	12 300	2.74	
MT036	45	1 960	1.68	2 890	1.90	3 950	2.13	5 150	2.35	6 500	2.56	8 020	2.76	9 710	2.93	11 600	3.07	13 700	3.17	
MT040	45	2 050	1.77	3 080	2.08	4 260	2.39	5 590	2.67	7 090	2.93	8 780	3.15	10 700	3.32	12 800	3.42	15 100	3.45	
MT044	45	2 350	1.82	3 240	2.13	4 340	2.44	5 680	2.72	7 310	2.98	9 250	3.19	11 600	3.34	14 200	3.43	17 400	3.44	
MT045	45	1 920	1.70	2 760	1.97	3 850	2.22	5 210	2.46	6 880	2.68	8 880	2.88	11 200	3.07	14 000	3.23	17 100	3.38	
MT050	45	2 560	1.99	3 530	2.31	4 740	2.63	6 230	2.95	8 050	3.25	10 200	3.54	12 800	3.79	15 900	4.00	19 400	4.16	
MT051	45	2 170	1.93	3 300	2.31	4 660	2.65	6 290	2.94	8 210	3.20	10 500	3.42	13 000	3.61	16 000	3.77	19 400	3.92	
MT056	45	2 660	2.21	3 990	2.64	5 530	3.05	7 320	3.44	9 380	3.78	11 700	4.07	14 400	4.28	17 500	4.40	20 900	4.42	
MT057	45	2 680	2.20	3 770	2.55	5 170	2.88	6 910	3.18	9 020	3.46	11 500	3.72	14 500	3.96	17 900	4.18	21 900	4.38	
MT064	45	3 090	2.57	4 500	3.02	6 190	3.46	8 190	3.89	10 500	4.28	13 300	4.62	16 500	4.91	20 100	5.11	24 300	5.22	
MT065	45	3 140	2.40	4 580	2.85	6 290	3.27	8 310	3.64	10 700	3.98	13 400	4.27	16 600	4.53	20 200	4.76	24 300	4.94	
MT072	45	3 470	3.07	5 070	3.47	6 950	3.88	9 130	4.29	11 700	4.69	14 600	5.08	17 900	5.44	21 600	5.76	25 900	6.03	
MT073	45	3 240	2.61	4 950	3.20	6 960	3.72	9 340	4.19	12 100	4.60	15 300	4.96	19 000	5.27	23 300	5.54	28 100	5.78	
MT080	45	3 950	3.46	5 780	3.91	7 930	4.38	10 400	4.84	13 300	5.30	16 600	5.74	20 400	6.14	24 700	6.51	29 500	6.83	
MT081	45	4 230	3.32	6 180	3.89	8 450	4.41	11 100	4.89	14 200	5.33	17 700	5.72	21 700	6.09	26 300	6.42	31 500	6.72	
MT100	45	4 570	4.06	6 650	4.66	9 150	5.25	12 100	5.79	15 700	6.27	19 900	6.66	24 700	6.94	30 400	7.09	36 800	7.08	
MT125	45	6 690	5.48	9 360	6.17	12 500	6.87	16 400	7.55	20 800	8.18	26 100	8.75	32 200	9.24	39 300	9.63	47 400	9.88	
MT144	45	7 700	6.16	10 700	6.94	14 200	7.71	18 500	8.47	23 600	9.17	29 600	9.81	36 600	10.36	44 700	10.80	54 000	11.09	
MT160	45	8 660	6.93	11 900	7.79	15 800	8.65	20 600	9.49	26 200	10.28	32 800	11.00	40 500	11.61	49 500	12.10	59 800	12.44	
MTM200	45	9 140	8.12	13 300	9.32	18 300	10.49	24 300	11.58	31 400	12.54	39 700	13.32	49 500	13.89	60 700	14.19	73 600	14.17	
MTM250	45	13 400	10.95	18 700	12.35	25 100	13.74	32 700	15.09	41 700	16.36	52 200	17.51	64 500	18.49	78 600	19.25	94 800	19.77	
MTM288	45	15 400	12.32	21 300	13.87	28 500	15.42	37 000	16.93	47 200	18.35	59 200	19.63	73 200	20.72	89 400	21.59	108 000	22.18	
MTM320	45	17 300	13.86	23 800	15.58	31 700	17.30	41 100	18.98	52 300	20.57	65 600	22.00	81 000	23.23	98 900	24.20	119 500	24.88	

MTZ R407C	Model	-15		-10		-5		0		5		10		15		
		To	Qo	Pe	Qo	Pe	Qo	Pe	Qo	Pe	Qo	Pe	Qo	Pe	Qo	Pe
		Tc	Qo	Pe	Qo	Pe	Qo	Pe	Qo	Pe	Qo	Pe	Qo	Pe	Qo	Pe
MTZ018	45	1 180	0.82	1 750	0.94	2 430	1.04	3 240	1.13	4 180	1.20	5 270	1.25	6 530	1.30	
MTZ022	45	1 770	1.07	2 490	1.24	3 330	1.39	4 320	1.50	5 460	1.60	6 790	1.67	8 310	1.73	
MTZ028	45	2 160	1.30	3 110	1.52	4 220	1.72	5 520	1.89	7 030	2.03	8 770	2.13	10 800	2.21	
MTZ032	45	2 710	1.50	3 740	1.75	4 940	1.95	6 330	2.12	7 940	2.27	9 800	2.38	11 900	2.48	
MTZ036	45	3 270	1.81	4 400	2.10	5 710	2.36	7 200	2.57	8 920	2.73	10 900	2.86	13 100	2.95	
MTZ040	45	3 890	2.18	5 150	2.48	6 610	2.74	8 290	2.98	10 200	3.18	12 400	3.35	15 000	3.48	
MTZ044	45	3 390	2.21	4 770	2.47	6 420	2.72	8 390	2.94	10 700	3.14	13 400	3.28	16 500	3.38	
MTZ045	45	3 570	1.97	4 920	2.28	6 590	2.54	8 610	2.76	11 000	2.94	13 800	3.10	17 100	3.24	
MTZ050	45	3 880	2.42	5 450	2.74	7 330	3.04	9 570	3.32	12 200	3.57	15 300	3.78	18 800	3.94	
MTZ051	45	4 200	2.34	5 780	2.70	7 650	3.00	9 860	3.24	12 500	3.45	15 500	3.61	19 000	3.75	
MTZ056	45	4 460	2.67	6 260	3.05	8 420	3.43	11 000	3.78	14 000	4.10	17 500	4.38	21 500	4.60	
MTZ057	45	4 540	2.50	6 310	2.90	8 440	3.24	11 000	3.53	13 900	3.77	17 400	3.98	21 400	4.16	
MTZ064	45	5 020	2.91	7 060	3.36	9 490	3.80	12 400	4.22	15 700	4.61	19 600	4.96	24 100	5.25	
MTZ065	45	5 550	2.91	7 480	3.35	9 820	3.73	12 600	4.05	15 900	4.32	19 800	4.57	24 300	4.79	
MTZ072	45	5 850	3.30	8 110	3.81	10 800	4.32	13 900	4.80	17 600	5.25	21 900	5.64	26 700	5.98	
MTZ073	45	6 300	3.49	8 540	3.96	11 200	4.39	14 400	4.77	18 200	5.11	22 600	5.39	27 700	5.63	
MTZ080	45	6 850	3.76	9 380	4.35	12 400	4.93	15 800	5.48	19 900	6.00	24 500	6.46	29 800	6.85	
MTZ081	45	7 290	4.08	9 860	4.64	12 900	5.12	16 400	5.54	20 600	5.89	25 300	6.19	30 800	6.45	
MTZ100	45	7 870	4.81	11 000	5.47	14 800	6.04	19 300	6.52	24 500	6.92	30 700	7.26	37 800	7.56	
MTZ125	45	11 500	6.13	15 500	6.97	20 100	7.69	25 600	8.31	31 900	8.84	39 300	9.30	47 700	9.69	
MTZ144	45	12 700	7.07	17 000	7.92	22 200	8.70	28 200	9.42	35 300	10.04	43 500	10.58	52 900	11.01	
MTZ160	45	15 400	8.21	20 200	9.20	25 800	10.09	32 500	10.91	40 300	11.68	49 400	12.42	59 900	13.16	
MTZ200	45	15 700	9.61	22 000	10.94	29 600	12.08	38 600	13.03	49 100	13.84	61 400	14.53	75 500	15.11	
MTZ250	45	23 000	12.26	30 900	13.93	40 200	15.37	51 100	16.61	63 800	17.68	78 500	18.59	95 400	19.38	
MTZ288	45	25 300	14.13	34 000	15.83	44 400	17.41	56 500	18.83	70 600	20.09	87 000	21.16	105 900	22.02	
MTZ320	45	30 700	16.43	40 300	18.39	51 700	20.17	65 100	21.81	80 700	23.36	98				

PERFORMANCE DATA

Model	To	-15		-10		-5		0		5		10		15		20	
	Tc	Qo	Pe	Qo	Pe	Qo	Pe	Qo	Pe	Qo	Pe	Qo	Pe	Qo	Pe	Qo	Pe
	MTZ R134a	45	700	0.61	1 050	0.69	1 470	0.76	1 970	0.82	2 570	0.87	3 270	0.91	4 090	0.93	5 020
MTZ018	45	940	0.72	1 370	0.81	1 900	0.91	2 550	0.99	3 320	1.06	4 240	1.11	5 310	1.15	6 560	1.16
MTZ022	45	1 230	0.91	1 720	1.02	2 350	1.13	3 130	1.23	4 090	1.34	5 260	1.43	6 650	1.51	8 300	1.58
MTZ028	45	1 430	1.09	2 020	1.25	2 770	1.40	3 690	1.54	4 810	1.66	6 160	1.76	7 760	1.83	9 630	1.86
MTZ032	45	2 050	1.29	2 740	1.45	3 580	1.60	4 590	1.74	5 780	1.86	7 170	1.97	8 790	2.05	10 660	2.10
MTZ036	45	2 450	1.47	3 160	1.61	4 000	1.75	4 980	1.89	6 100	2.01	7 390	2.12	8 860	2.21	10 520	2.27
MTZ040	45	2 070	1.62	2 900	1.80	3 940	1.96	5 210	2.12	6 760	2.25	8 610	2.35	10 800	2.42	13 350	2.45
MTZ044	45	2 080	1.29	2 910	1.49	3 940	1.67	5 190	1.83	6 710	1.95	8 540	2.05	10 710	2.13	13 270	2.17
MTZ045	45	2 400	1.79	3 380	2.01	4 600	2.21	6 090	2.40	7 880	2.56	10 020	2.69	12 540	2.78	15 480	2.83
MTZ050	45	2 360	1.57	3 340	1.80	4 560	2.00	6 040	2.17	7 820	2.31	9 950	2.42	12 470	2.51	15 410	2.57
MTZ051	45	2 680	1.95	3 790	2.20	5 150	2.44	6 820	2.66	8 810	2.85	11 180	3.01	13 970	3.13	17 200	3.20
MTZ056	45	2 290	1.64	3 380	1.88	4 730	2.11	6 400	2.31	8 420	2.49	10 820	2.64	13 650	2.77	16 940	2.86
MTZ057	45	3 030	2.14	4 300	2.43	5 860	2.71	7 750	2.97	10 010	3.20	12 680	3.40	15 810	3.54	19 440	3.63
MTZ064	45	2 700	1.87	4 010	2.17	5 600	2.43	7 510	2.67	9 780	2.87	12 440	3.04	15 550	3.18	19 130	3.27
MTZ065	45	3 650	2.34	5 110	2.67	6 880	2.99	9 000	3.30	11 500	3.58	14 450	3.83	17 870	4.03	21 810	4.18
MTZ072	45	3 200	2.16	4 660	2.50	6 430	2.81	8 560	3.08	11 090	3.33	14 070	3.54	17 540	3.74	21 560	3.92
MTZ073	45	4 430	2.76	6 060	3.11	8 020	3.46	10 360	3.80	13 120	4.13	16 360	4.42	20 100	4.69	24 420	4.91
MTZ080	45	4 130	2.59	5 700	2.93	7 620	3.24	9 950	3.54	12 740	3.80	16 040	4.05	19 920	4.27	24 430	4.48
MTZ081	45	4 660	3.25	6 550	3.65	8 860	4.02	11 680	4.35	15 050	4.63	19 050	4.84	23 730	4.96	29 170	4.98
MTZ100	45	5 870	3.63	8 230	4.17	11 090	4.69	14 520	5.16	18 590	5.57	23 380	5.89	28 950	6.09	35 380	6.18
MTZ125	45	7 880	4.85	10 680	5.40	14 060	5.94	18 090	6.46	22 850	6.93	28 420	7.34	34 870	7.67	42 290	7.92
MTZ144	45	8 770	5.23	11 800	5.84	15 470	6.45	19 890	7.06	25 130	7.65	31 300	8.21	38 480	8.72	46 760	9.18
MTZ160	45	9 320	6.50	13 090	7.29	17 730	8.04	23 350	8.70	30 100	9.26	38 090	9.68	47 460	9.92	58 340	9.96
MTZ200	45	11 740	7.25	16 460	8.35	22 180	9.39	29 040	10.33	37 190	11.14	46 760	11.77	57 910	12.19	70 770	12.35
MTZ250	45	15 750	9.71	21 370	10.81	28 130	11.89	36 190	12.91	45 710	13.85	56 840	14.67	69 750	15.35	84 580	15.84
MTZ288	45	17 540	10.46	23 600	11.67	30 950	12.90	39 780	14.11	50 260	15.29	62 590	16.41	76 950	17.44	93 530	18.37
MTZ320	45																

Model	To	-30		-25		-20		-15		-10		-5		0		5		10	
	Tc	Qo	Pe	Qo	Pe	Qo	Pe	Qo	Pe	Qo	Pe	Qo	Pe	Qo	Pe	Qo	Pe	Qo	Pe
	MTZ R404A / R507A	45	390	0.69	650	0.83	980	0.96	1 400	1.09	1 900	1.21	2 520	1.31	3 250	1.40	4 110	1.47	5 120
MTZ018	45	640	0.86	980	1.03	1 410	1.19	1 960	1.34	2 620	1.48	3 440	1.61	4 410	1.72	5 550	1.82	6 880	1.90
MTZ022	45	760	1.05	1 250	1.30	1 850	1.53	2 570	1.75	3 430	1.96	4 450	2.14	5 640	2.31	7 040	2.45	8 640	2.56
MTZ028	45	1 040	1.20	1 580	1.46	2 240	1.71	3 030	1.94	3 980	2.16	5 110	2.36	6 440	2.55	7 980	2.71	9 760	2.86
MTZ032	45	1 300	1.50	1 930	1.78	2 690	2.06	3 600	2.33	4 670	2.58	5 930	2.81	7 400	3.01	9 100	3.19	11 050	3.34
MTZ036	45	1 600	1.70	2 320	2.05	3 160	2.37	4 160	2.67	5 330	2.95	6 700	3.20	8 290	3.44	10 130	3.65	12 230	3.84
MTZ040	45	1 320	2.00	1 970	2.29	2 800	2.59	3 850	2.88	5 150	3.16	6 750	3.42	8 690	3.64	11 010	3.83	13 750	3.96
MTZ044	45	1 360	1.60	2 100	1.94	2 990	2.25	4 070	2.52	5 370	2.77	6 910	3.00	8 740	3.20	10 890	3.38	13 370	3.54
MTZ045	45	1 680	2.27	2 440	2.61	3 420	2.95	4 640	3.29	6 150	3.61	8 000	3.90	10 220	4.15	12 870	4.36	15 990	4.50
MTZ050	45	1 700	1.94	2 500	2.29	3 510	2.62	4 750	2.93	6 260	3.22	8 070	3.48	10 220	3.71	12 740	3.91	15 680	4.07
MTZ051	45	1 650	2.40	2 640	2.81	3 840	3.22	5 280	3.62	7 000	4.00	9 030	4.35	11 420	4.66	14 190	4.90	17 390	5.08
MTZ056	45	1 730	2.04	2 620	2.43	3 710	2.81	5 060	3.17	6 710	3.51	8 690	3.83	11 060	4.11	13 840	4.36	17 090	4.57
MTZ057	45	2 080	2.77	3 200	3.21	4 560	3.66	6 190	4.11	8 130	4.54	10 420	4.94	13 090	5.30	16 190	5.61	19 760	5.84
MTZ064	45	2 160	2.32	3 200	2.83	4 480	3.32	6 060	3.78	7 980	4.20	10 300	4.60	13 070	4.96	16 330	5.28	20 150	5.55
MTZ065	45	2 490	3.05	3 730	3.52	5 220	4.01	7 010	4.50	9 150	4.99	11 680	5.45	14 640	5.88	18 080	6.26	22 040	6.59
MTZ072	45	2 550	2.74	3 670	3.25	5 080	3.75	6 810	4.23	8 920	4.69	11 450	5.11	14 450	5.51	17 970	5.87	22 050	6.19
MTZ073	45	2 770	3.63	4 250	4.17	6 010	4.72	8 080	5.29	10 520	5.84	13 360	6.38	16 640	6.88	20 400	7.34	24 680	7.73
MTZ080	45	3 170	3.15	4 530	3.85	6 170	4.48	8 130	5.07	10 470	5.61	13 230	6.11	16 470	6.57	20 240	7.01	24 580	7.41
MTZ081	45	3 240	4.01	4 930	4.80	6 960	5.53	9 390	6.18	12 280	6.76	15 700	7.26	19 710	7.70	24 370	8.06	29 760	8.34
MTZ100	45	4 660	5.16	6 620	6.02	9 060	6.86	12 060	7.67	15 710	8.44	20 080	9.16	25 250	9.83	31 300	10.44	38 310	10.98
MTZ125	45	5 700	6.08	8 060	7.05	10 920	8.00	14 370	8.91	18 490	9.78	23 380	10.60	29 110	11.36	35 770	12.06	43 450	12.69
MTZ144	45	6 280	6.80	8 870	7.95	12 010	9.04	15 790	10.08	20 310	11.08	25 640	12.05	31 900	13.01	39 160	13.97	47 540	14.95
MTZ160	45	6 480	8.02	9 860	9.60	13 920	11.05	18 770	12.36	24 560	13.52	31 400	14.53	39 420	15.39	48 750	16.11	59 510	16.68
MTZ200	45	9 320	10.32	13 230	12.05	18 110	13.73	24 120	15.34	31 420	16.88	40 160	18.32	50 500	19.66	62 600	20.88	76 620	21.96
MTZ250	45	11 410	12.17	16 120	14.11	21 840	16.00	28 740	17.82	36 990	19.56	46 760	21.20	58 220	22.72	71 550	24.12	86 900	25.37
MTZ288	45	12 550	13.61	17 740	15.90	24 030	18.08	31 590	20.15	40 610	22.15	51 280	24.10	63 790	26.03	78 330	27.95	95 070	29.90
MTZ320	45																		

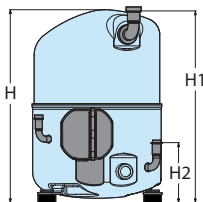
Model	To	-30		-25		-20		-15		-10		-5		0		5		10	
	Tc	Qo	Pe	Qo	Pe	Qo	Pe	Qo	Pe	Qo	Pe	Qo	Pe	Qo	Pe	Qo	Pe	Qo	Pe
	MPZ R404A/R507A	45	840	0.80	1 180	0.97	1 610	1.13	2 140	1.28	2 790	1.42	3 590	1.54	4 520	1.65	5 630	1.74	6 910
MPZ038</																			

CODE NUMBERS FOR ORDERING SINGLE PACK COMPRESSORS

Model		4	5	6	7	Swept volume cm ³ /rev	Displacement m ³ /h at 2900 rpm	Cylinder number	Oil charge dm ³	Net weight kg
		460/3/60 400/3/50	230/1/50	230/3/50	575/3/60 500/3/50					
Low back pressure Applications	NTZ048	120F0001	120F0087			48	8.4	1	0.95	21
	NTZ068	120F0002	120F0088			68	11.8	1	0.95	23
	NTZ096	120F0003				96	16.7	2	1.8	35
	NTZ108	120F0004				108	18.7	2	1.8	35
	NTZ136	120F0005				136	23.6	2	1.8	35
	NTZ215	120F0006				215	37.5	4	3.9	62
	NTZ271	120F0007				271	47.3	4	3.9	64
	NTZ430	120F0024				2 x 215	2 x 37.5	2 x 4	2 x 3.9	138
NTZ542	120F0025				2 x 271	2 x 47.3	2 x 4	2 x 2.9	142	
Medium -High back pressure Applications	MT018	MT18-4VI	MT18-5VI			30	5.3	1	0.95	21
	MT022	MT22-4VI	MT22-5VI	MT22-6VI		38	6.6	1	0.95	21
	MT028	MT28-4VI	MT28-5VI	MT28-6VI		48	8.4	1	0.95	23
	MT032	MT32-4VI	MT32-5VI	MT32-6VI		54	9.4	1	0.95	24
	MT036	MT36-4VI	MT36-5VI	MT36-6VI		60	10.5	1	0.95	25
	MT040	MT40-4VI		MT40-6VI		68	11.8	1	0.95	26
	MT044	MT44-4VI		MT44-6VI	MT44-7VI	76	13.3	2	1.8	35
	MT045	MT45-4VI				76	13.3	2	1.8	37
	MT050	MT50-4VI	MT50-5VI	MT50-6VI	MT50-7VI	86	14.9	2	1.8	35
	MT051	MT51-4VI				86	14.9	2	1.8	37
	MT056	MT56-4VI		MT56-6VI	MT56-7VI	96	16.7	2	1.8	37
	MT057	MT57-4VI				96	16.7	2	1.8	39
	MT064	MT64-4VI		MT64-6VI		108	18.7	2	1.8	37
	MT065	MT65-4VI				108	18.7	2	1.8	39
	MT072	MT72-4VI		MT72-6VI		121	21.0	2	1.8	40
	MT073	MT73-4VI				121	21.0	2	1.8	41
	MT080	MT80-4VI		MT80-6VI		136	23.6	2	1.8	40
	MT081	MT81-4VI				136	23.6	2	1.8	41
	MT100	MT100-4VI		MT100-6VI	MT100-7VI	171	29.8	4	3.9	60
	MT125	MT125-4VI		MT125-6VI	MT125-7VI	215	37.5	4	3.9	64
	MT144	MT144-4VI		MT144-6VI	MT144-7VI	242	42.1	4	3.9	67
	MT160	MT160-4VI		MT160-6VI	MT160-7VI	272	47.3	4	3.9	69
	MTM200	MTM200T4SA		MTM200T6SA		2 x 171	2 x 29.8	2 x 4	2 x 3.9	134
	MTM250	MTM250T4SA		MTM250T6SA		2 x 215	2 x 37.5	2 x 4	2 x 3.9	142
	MTM288	MTM288T4SA		MTM288T6SA		2 x 242	2 x 42.1	2 x 4	2 x 3.9	148
	MTM320	MTM320T4SA		MTM320T6SA		2 x 272	2 x 47.3	2 x 4	2 x 3.9	152
	MTZ018	MTZ18-4VI	MTZ18-5VI	MTZ18-6VI		30	5.3	1	0.95	21
	MTZ022	MTZ22-4VI	MTZ22-5VI	MTZ22-6VI		38	6.6	1	0.95	21
	MTZ028	MTZ28-4VI	MTZ28-5VI	MTZ28-6VI		48	8.4	1	0.95	23
	MTZ032	MTZ32-4VI	MTZ32-5VI	MTZ32-6VI	MTZ32-7VI	54	9.4	1	0.95	24
	MTZ036	MTZ36-4VI	MTZ36-5VI	MTZ36-6VI	MTZ36-7VI	60	10.5	1	0.95	25
	MTZ040	MTZ40-4VI		MTZ40-6VI		68	11.8	1	0.95	26
	MTZ044	MTZ44-4VI		MTZ44-6VI	MTZ44-7VI	76	13.3	2	1.8	35
	MTZ045	MTZ45-4VI				76	13.3	2	1.8	37
	MTZ050	MTZ50-4VI	MTZ50-5VI	MTZ50-6VI	MTZ50-7VI	86	14.9	2	1.8	35
	MTZ051	MTZ51-4VI				86	14.9	2	1.8	37
	MTZ056	MTZ56-4VI		MTZ56-6VI	MTZ56-7VI	96	16.7	2	1.8	37
	MTZ057	MTZ57-4VI				96	16.7	2	1.8	39
	MTZ064	MTZ64-4VI		MTZ64-6VI		108	18.7	2	1.8	37
	MTZ065	MTZ65-4VI				108	18.7	2	1.8	39
	MTZ072	MTZ72-4VI		MTZ72-6VI		121	21.0	2	1.8	40
	MTZ073	MTZ73-4VI				121	21.0	2	1.8	41
	MTZ080	MTZ80-4VI		MTZ80-6VI		136	23.6	2	1.8	40
	MTZ081	MTZ81-4VI				136	23.6	2	1.8	41
	MTZ100	MTZ100-4VI		MTZ100-6VI	MTZ100-7VI	171	29.8	4	3.9	60
	MTZ125	MTZ125-4VI		MTZ125-6VI	MTZ125-7VI	215	37.5	4	3.9	64
	MTZ144	MTZ144-4VI		MTZ144-6VI	MTZ144-7VI	242	42.1	4	3.9	67
	MTZ160	MTZ160-4VI		MTZ160-6VI	MTZ160-7VI	272	47.3	4	3.9	69
	MTZ200	MTZ200T4SA		MTZ200T6SA		2 x 171	2 x 29.8	2 x 4	2 x 3.9	134
	MTZ250	MTZ250T4SA		MTZ250T6SA		2 x 215	2 x 37.5	2 x 4	2 x 3.9	142
	MTZ288	MTZ288T4SA		MTZ288T6SA		2 x 242	2 x 42.1	2 x 4	2 x 3.9	148
	MTZ320	MTZ320T4SA		MTZ320T6SA		2 x 272	2 x 47.3	2 x 4	2 x 3.9	152
MPZ038	120F0052	120F0148			38	6.6	1	1.1	25	
MTZ048	120F0053	120F0149			48	8.4	1	1.1	25	
MPZ054	120F0054	120F0150			54	9.4	1	1.1	25	
MPZ061	120F0055	120F0151			61	10.6	1	1.1	26	
MPZ068	120F0056	120F0152			68	11.8	1	1.1	26	

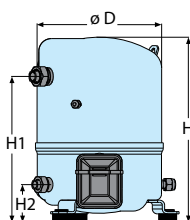
DIMENSIONS

MPZ



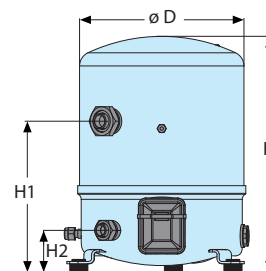
H : 348/356 mm
H1 : 346/341 mm
H2 : 108 mm

MT / MTZ / NTZ 1 cylinder



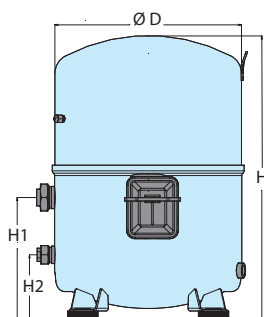
D : 224 mm
H : 333/358 mm
H1 : 263 mm
H2 : 68 mm

MT / MTZ / NTZ 2 cylinders



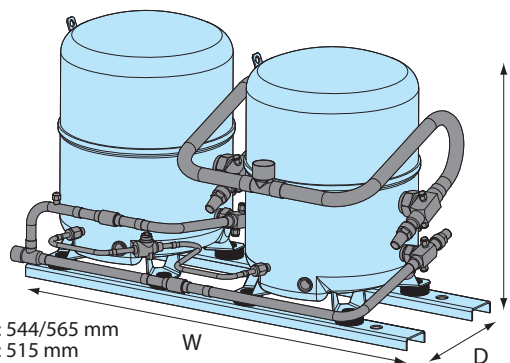
D : 288 mm
H : 413 mm
H1 : 265 mm
H2 : 74 mm

MT / MTZ / NTZ 4 cylinders



D : 352 mm
H : 519 / 540 mm
H1 : 233 mm
H2 : 125 mm

MT / MTZ / NTZ Tandem 2 x 4 cylinders



H : 544/565 mm
D : 515 mm
W : 925 mm

FURTHER REFERENCE

For more exhaustive information on Maneurop Reciprocating compressors, please refer to the following documents:



Danfoss Commercial Compressors Online Datasheet Generator www.danfoss.com/odsg

A new tool, providing user-friendly access to full technical data, performance data and outline drawings for each individual Maneurop reciprocating compressor MPZ, MT, MTZ and NTZ.



Selection and Application Guidelines for MPZ Refrigeration 1 cylinder compressors

Literature: FRCC.PC.011.

Selection and Application Guidelines for MT, MTZ Maneurop® reciprocating compressors

Literature: FRCC.PC.004.

Selection and Application Guidelines for NTZ Maneurop® reciprocating compressors

Literature: FRCC.PC.002.

With nominal performance data, operating envelopes, outline drawings, electrical data, for NTZ compressors.



Selection and Application Guidelines for Maneurop MTM, MTZ & NTZ tandem assemblies

With performance data, operating envelopes, outline drawings, electrical data, installation and application information for Maneurop MTM, MTZ and NTZ tandem assemblies.

Parallel Application Guidelines for Maneurop MT, MTZ, LTZ and NTZ compressors

With information about oil equalization, suction and discharge lines, compressor control sequence, system components and installation and application information, for mounting in parallel Maneurop MT, MTZ, LTZ and NTZ compressors.

All above documents are available for download from our website: <http://cc.danfoss.com>



The Danfoss product range for the refrigeration and air conditioning industry

Danfoss Refrigeration & Air Conditioning is a worldwide manufacturer with a leading position in industrial, commercial and supermarket refrigeration as well as air conditioning and climate solutions.

We focus on our core business of making quality products, components and systems that enhance performance and reduce total life cycle costs – the key to major savings.



Controls for Commercial Refrigeration



Controls for Industrial Refrigeration



Electronic Controls & Sensors



Industrial Automation



Household Compressors



Commercial Compressors



Sub-Assemblies



Thermostats



Brazen plate heat exchanger

We are offering a single source for one of the widest ranges of innovative refrigeration and air conditioning components and systems in the world. And, we back technical solutions with business solution to help your company reduce costs, streamline processes and achieve your business goals.

Danfoss A/S • www.danfoss.com

Danfoss Commercial Compressors <http://cc.danfoss.com>

Danfoss can accept no responsibility for possible errors in catalogues, brochures and other printed material. Danfoss reserves the right to alter its products without notice. This also applies to products already on order provided that such alterations can be made without subsequential changes being necessary in specifications already agreed. All trademarks in this material are property of the respective companies. Danfoss and the Danfoss logotype are trademarks of Danfoss A/S. All rights reserved.