



zone 1 - zone 21

-50°C

zone 2 - zone 22

II 2GD Ex d IIB+H2 Gb Ex tb IIIC Db IP66/67

+40°C

CASSETTE Exd IIB+H2

T6

T5

II 2(1)GD Ex d [ia Ga] IIB+H2 Gb Ex tb [ia Da] IIIC IP66/67

-50°C

JBOX Exd IIB+H2

T 85°C

T 100°C

ATEX - IECEx - INMETRO - GOST R



+55°C

Caratteristiche

Le custodie della **serie EJB** vengono impiegate sia come cassette di derivazione con/senza morsetti, sia per l'installazione di altri apparati elettrici come interruttori, segnalatori, sezionatori, teleruttori, trasformatori...
Le custodie possono essere forate e filettate su specifica del cliente.

Features

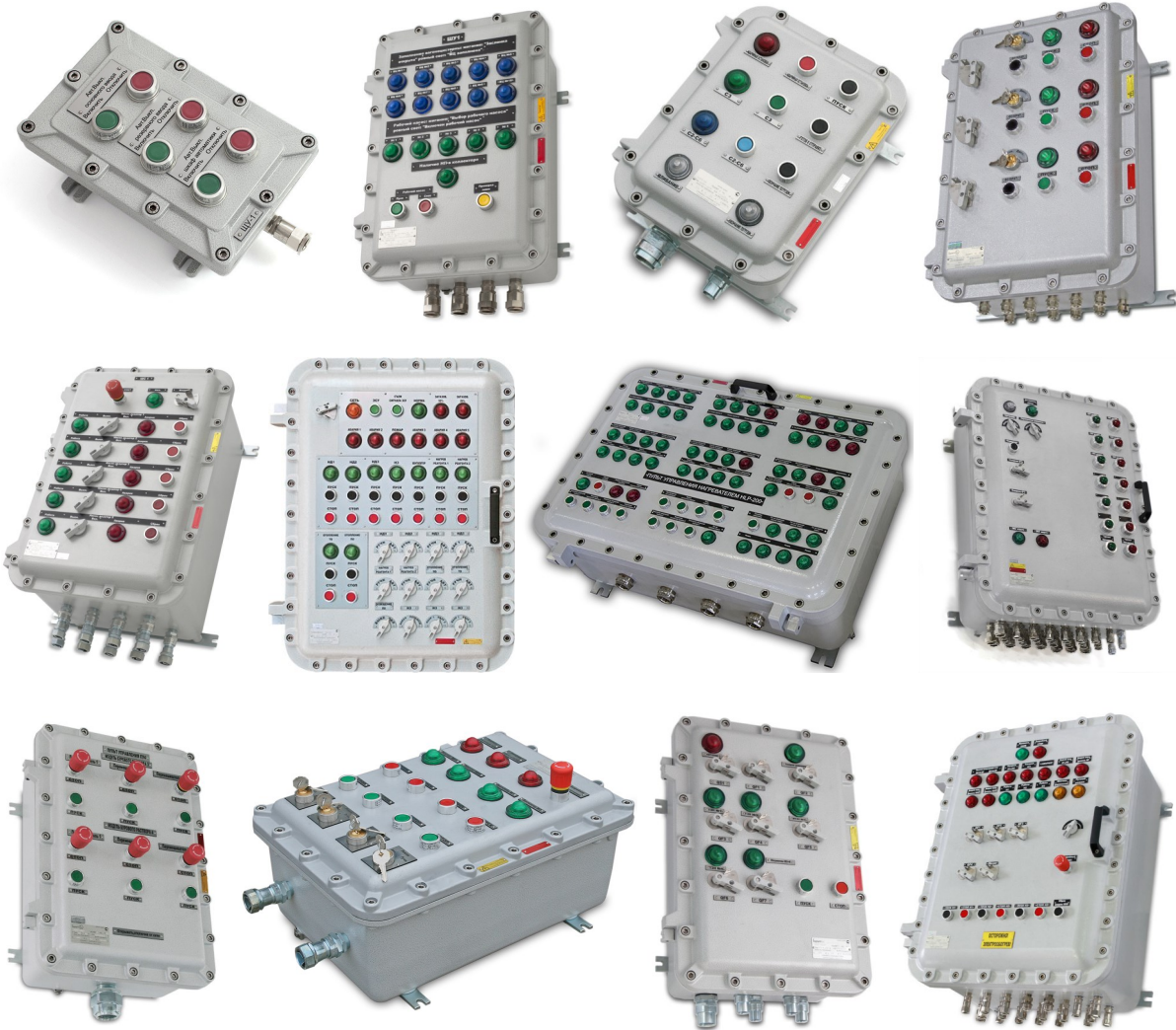
The **EJB series** boxes are used either as junction boxes with/without terminals, or for installation of other electrical equipment such as circuit breakers, signals, disconnectors, remote control switches, transformers...
The boxes can be drilled and threaded to the customer's specification.

Corpo e coperchio in **lega di alluminio esente da rame**.
Viti di chiusura coperchio in acciaio inox.
Viti di terra interne/esterne.
Cerniere in acciaio inox.
Verniciatura epossidica Ral 7035.

Body and cover in **copper-free aluminium alloy**.
The closing cover bolts are in stainless steel.
Internal/external earth screws.
Stainless steel hinges.
Ral 7035 epoxy paint.

Telaio interno. Staffe per il fissaggio.
Verniciatura interna anticondensa.
Valvola di sfiato e drenaggio

Mounting brackets. Internal frame.
Internal anticondensation coating.
Drain and breather valve.



**TABELLA DI SELEZIONE CUSTODIE CON COPERCHIO COSTOLATO
SELECTION CHART FOR ENCLOSURES WITH RIBBED LIDS**

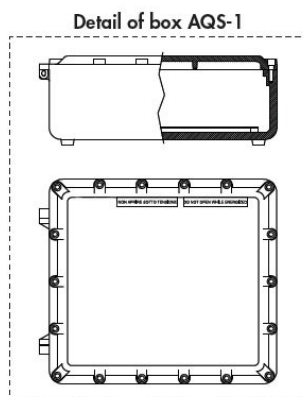
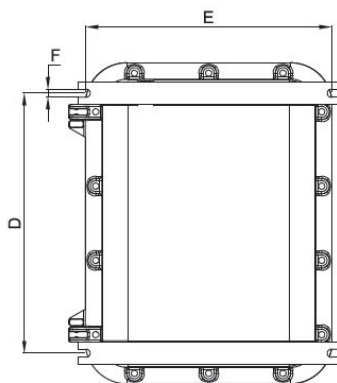
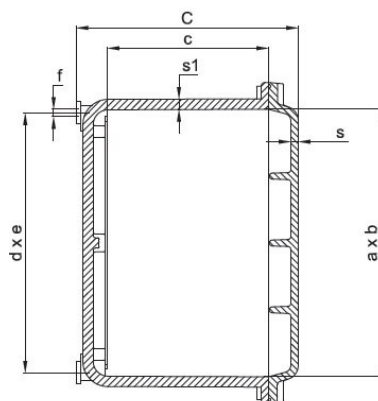
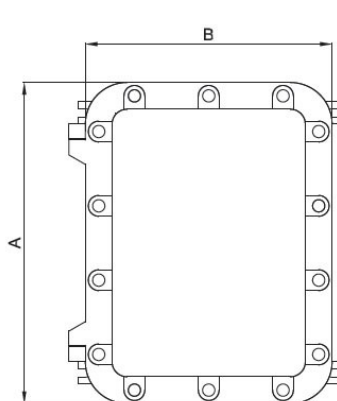
Introducing a new model of EJB enclosures that will replace the entire range. This new series will be provided with new stainless steel hinges and a new lid that will allow more flexibility in the supply of the product.

Kroma mec will then be able to offer the best solution to customer needs.

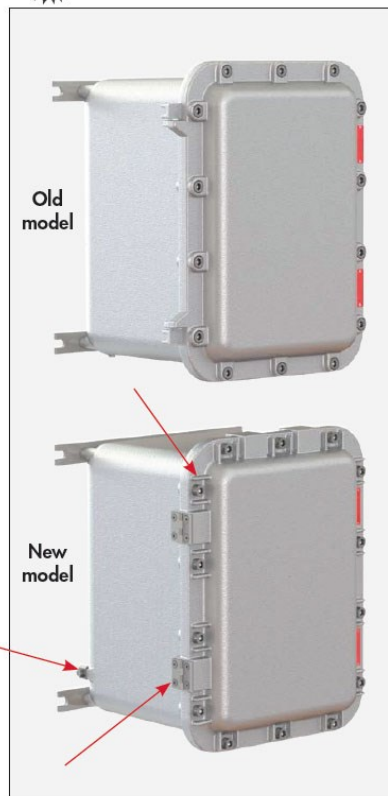
Code	Outside dimensions			Inside dimensions					Mounting			Mounting with brackets			Weight kg
	A	B	C	a	b	c	s	s1	d	e	f	D	E	F	
EJB-01	282	182	105	214	113	60	13	14	160	154	8	-	-	-	5,6
EJB-1	304	204	218	240	140	160	9	14	230	130	M8	230	210	9	9,4
EJB-2	424	224	218	360	160	159	10	14	350	150	M8	350	230	9	13,6
EJB-3	364	284	278	300	220	214	10	14	290	210	M8	290	290	9	17
EJB-3B	364	284	218	300	220	154	10	14	290	210	M8	290	290	9	14,2
* EJB-45	567	387	298	490	305	210	13	14	360	236	M10	360	356	11	36,5
* EJB-45B	567	387	248	490	305	160	13	14	360	236	M10	360	356	11	33,1
* EJB-5	632	432	341	560	360	256	15	16	350	550	M10	550	430	11	49,8
* EJB-5B	632	432	271	560	360	186	15	16	350	550	M10	550	430	11	41
* EJB-7	1000	700	500	890	590	340	30	31	810	510	M16	810	655	18	248
* EJB-7B	1000	700	400	890	590	240	30	31	810	510	M16	810	655	18	..
AQS-1	500	450	207	430	380	127	12	15	420	300	M12	-	-	-	..

* New model.

Dimensions in mm



NEW MODEL



Kroma mec S.r.l.

TABELLA DI SELEZIONE CUSTODIE CON COPERCHIO PIENO
SELECTION CHART FOR ENCLOSURES WITH SOLID LIDS

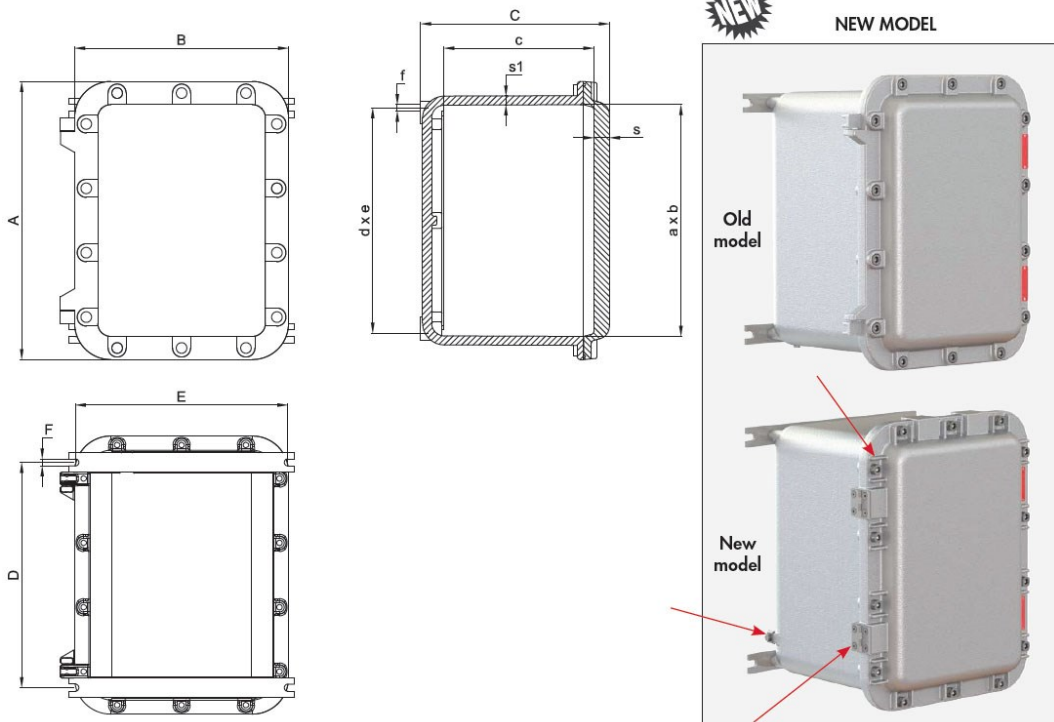
Aluminium enclosures with solid lids are used when there is a need to install a greater number of control and signalling devices than can be accommodated on the same enclosure with a ribbed lid or when handles need to be installed in certain positions on the lid.

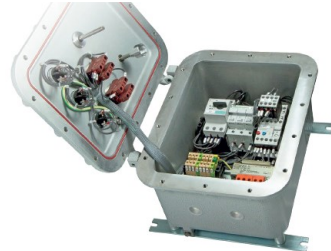
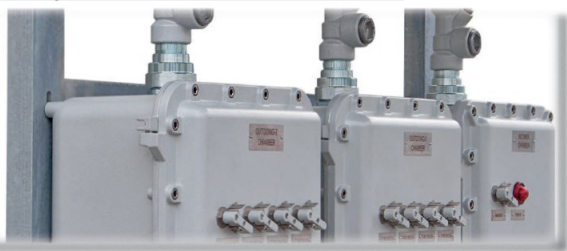
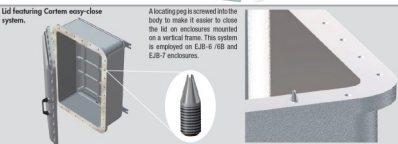
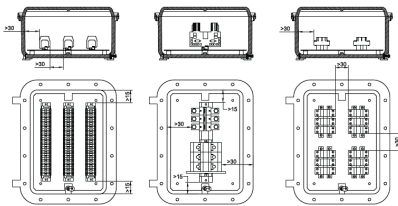
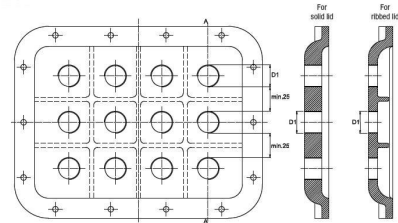
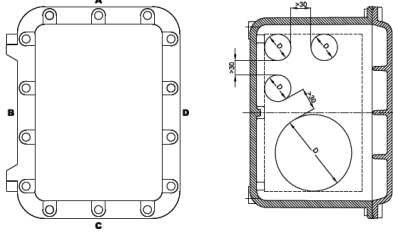
Code	Outside dimensions			Internal dimensions					Mounting			Mounting with brackets			Weight kg
	A	B	C	a	b	c	s	s1	d	e	f	D	E	F	
EJB-1A	304	204	218	240	140	153	24	14	230	130	M8	230	210	9	10,3
EJB-2A	424	224	218	360	160	153	24	14	350	150	M8	350	230	9	15,4
EJB-3A	364	284	278	300	220	213	24	14	290	210	M8	290	290	9	19,4
EJB-3BA	364	284	218	300	220	153	24	14	290	210	M8	290	290	9	16,4
* EJB-4	432	332	299	360	260	233	24	14	350	250	M10	350	330	11	25,4
* EJB-4B	432	332	229	360	260	163	24	14	350	250	M10	350	330	11	21,4
EJB-45A	567	387	298	490	305	229	24	14	260	236	M10	360	356	11	38,9
EJB-45BA	567	387	248	490	305	179	24	14	260	236	M10	360	356	11	35,3
**EJB-48BA	507	432	271	435	360	203	24	16	350	425	M10	425	430	11	37,5
EJB-5A	632	432	341	560	360	275	24	16	350	550	M10	550	430	11	51
EJB-5BA	632	432	271	560	360	205	24	16	350	550	M10	550	430	11	43,4
EJB-503	632	432	397	560	360	330	24	16	350	550	M10	550	430	11	59,2
EJB-55	710	510	356	630	430	273	24	17	600	400	M10	600	490	11	81,3
EJB-55B	710	510	256	630	430	173	24	20	600	400	M10	600	490	11	66,9
* EJB-6	870	650	480	760	540	353	24	25	680	460	M16	680	580	14	158,4
* EJB-6B	870	650	380	760	540	253	24	25	680	460	M16	680	580	14	138,5

* New model

** Work in progress

Dimensions in mm





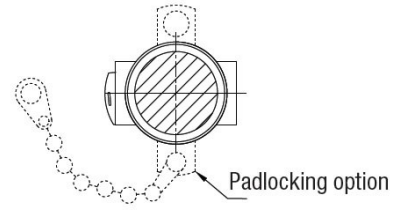
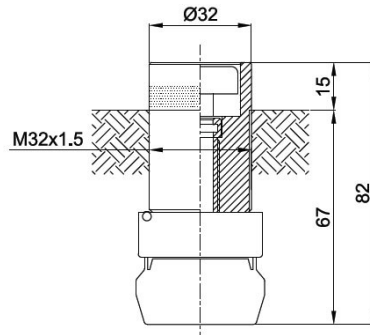
TYPE OF ENCLOSURE	HOLE DRILLING IN BODY																			
	Sides A and C									Sides B and D										
	Drilling area mm	MAXIMUM QUANTITY PER HOLE TYPE									Drilling area mm	MAXIMUM QUANTITY PER HOLE TYPE								
1		2	3	4	5	6	7	8	10	1		2	3	4	5	6	7	8	10	
EJB-1	100x120	6	4	4	2	2	1	1	1	-	200x120	12	8	6	6	4	2	2	1	1
EJB-2	120x120	6	4	4	4	2	1	1	1	1	320x120	18	12	10	9	8	4	3	2	2
EJB-3	180x180	16	12	9	6	4	4	3	2	1	260x180	20	15	12	9	6	6	4	3	2
EJB-3B	180x120	11	6	6	5	4	2	2	1	1	260x120	15	10	8	8	6	3	2	2	2
EJB-4	220x195	16	16	9	9	8	4	4	3	1	320x195	24	24	15	12	12	6	6	4	2
EJB-4B	220x130	12	8	6	6	6	3	2	2	1	320x130	18	12	10	8	8	5	3	2	2
EJB-4S	277x190	24	18	12	12	9	6	5	4	2	448x190	36	30	21	18	17	10	8	6	3
EJB-4SB	277x135	17	8	6	6	6	3	2	2	1	448x135	27	12	10	8	8	5	3	2	2
EJB-5	320x230	30	28	20	16	12	9	6	4	3	520x230	50	45	32	28	18	15	10	8	5
EJB-5B	320x160	24	18	15	8	8	6	3	3	2	520x160	40	27	24	14	12	10	5	4	3
EJB-5S	400x195	32	28	18	15	14	8	6	3	2	600x195	44	40	27	23	21	12	10	5	4
EJB-5SB	400x95	16	13	11	5	5	4	3	3	-	600x95	24	20	17	8	7	6	5	5	-
EJB-6	480x260	50	45	38	28	24	15	12	8	6	700x260	70	60	55	40	34	24	18	12	10
EJB-6B	480x160	38	27	23	14	12	10	7	4	3	700x160	54	38	33	20	18	16	9	6	5
EJB-7	530x280	66	45	40	28	24	15	12	8	6	830x280	96	75	63	44	37	24	18	12	10
EJB-7B	530x180	40	36	23	20	12	10	4	4	3	830x180	62	56	36	32	19	17	7	6	5
AQS-1	270x90	10	9	8	4	3	3	2	-	-	450x90	17	15	13	6	6	5	4	-	-
EJB-01	100x40	2	1	1	-	-	-	-	-	-	200x40	4	4	3	-	-	-	-	-	-

TYPE OF ENCLOSURE	HOLE DRILLING IN LID	
	Max. n° of holes allowed for ribbed lids	Max. n° of holes allowed for solid lids
EJB-1	4	6
EJB-2	8	10
EJB-3	8	12
EJB-4	12	15
EJB-4S	24	28
EJB-5	32	40
EJB-5S	-	54
EJB-6	-	60
EJB-7	60	-
EJB-01	-	6 (Only ISO 261/965 holes are possible on EJB-01)
AQS-1	24	-

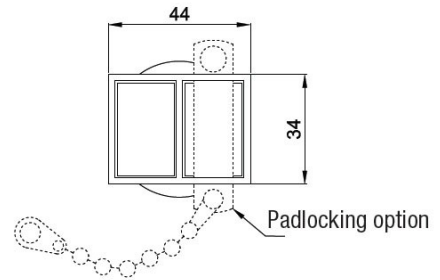
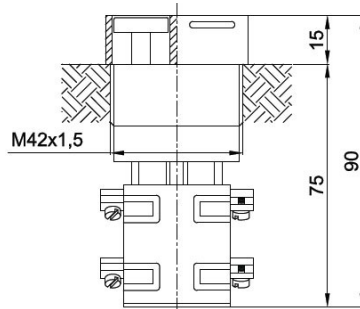
TYPE OF ENCLOSURE	MAXIMUM NUMBER OF TERMINALS HOUSED									
	TERMINAL CROSS-SECTIONAL AREA									
	2.5	4	6	10	16	35	70	120	185	240
EJB-1	2x28	26	21	15	12	10	3	-	-	-
EJB-2	2x38	2x28	2x22	2x15	2x12	18	4	-	-	-
EJB-3	3x38	3x35	3x28	3x23	2x21	14	6	4	3	3
EJB-3B	3x38	3x35	3x28	3x23	2x21	14	6	4	3	3
EJB-4	3x48	3x38	3x30	3x29	3x25	2x18	13	6	6	5
EJB-4B	3x48	3x38	3x30	3x29	3x25	2x18	13	6	6	5
EJB-4S	3x70	3x65	3x50	3x35	3x25	2x20	20	10	8	8
EJB-4SB	3x70	3x65	3x50	3x35	3x25	2x20	20	10	8	8
EJB-5	3x80	3x70	3x60	3x50	3x40	2x28	22	10	10	8
EJB-5B	3x80	3x70	3x60	3x50	3x40	2x28	22	10	10	8
EJB-503	3x80	3x70	3x60	3x50	3x40	2x28	22	10	10	8
EJB-5S	4x90	4x80	4x65	4x50	4x40	3x30	25	13	13	13
EJB-5SB	4x90	4x80	4x65	4x50	4x40	3x30	25	13	13	13
EJB-6	4x120	4x100	4x80	4x60	4x50	3x35	30	15	15	15
EJB-6B	4x120	4x100	4x80	4x60	4x50	3x35	30	15	15	15
EJB-7	5x150	5x115	5x90	5x75	5x60	4x45	2x35	2x20	2x20	2x20
EJB-7B	5x150	5x115	5x90	5x75	5x60	4x45	2x35	2x20	2x20	2x20
AQS-1	3x54	3x40	3x35	3x32	3x26	2x18	12	6	4	4
EJB-01	20	20	15	12	10	3	-	-	-	-



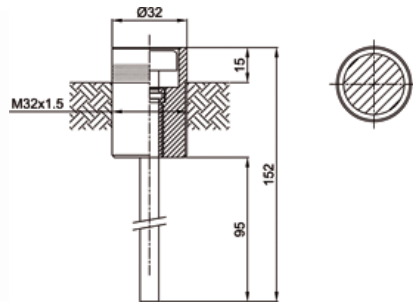
**Normal push-button with standard 10A 600V 1NO+1NC contacts.
Button comes in choice of six colours**



**Double push-button with standard 10A 600V contacts.
Comprises one red button 1NO+1NC and one black button 1NO+1NC.**

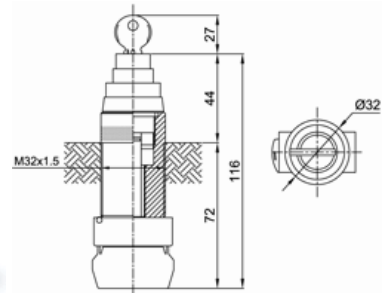


Reset push-button, comprises one red or black button, used for operating thermal relays.

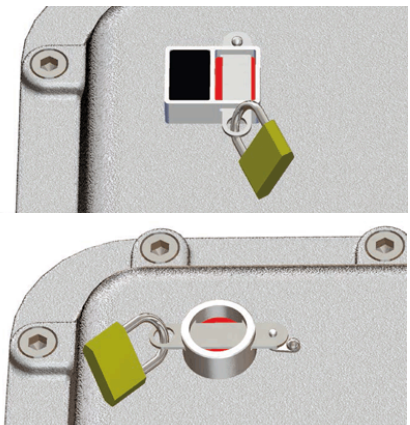
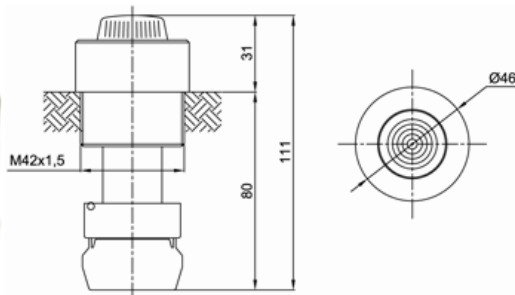


Key-operated push-button with ON/OFF settings and standard 10A 600V contacts (use key to press and release).

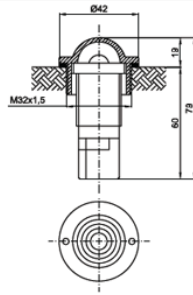
Key-to-release push-button with OFF setting and standard 10A 600V contacts (use key to release when button is pressed)



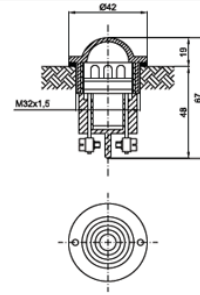
**Illuminated push-button with standard 10A 600V 1NO+1NC contacts.
Illuminated button comes in choice of five colours.**



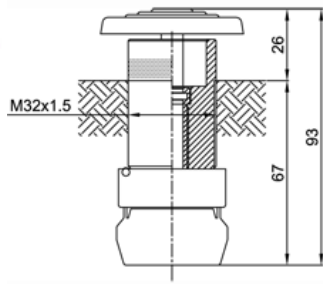
Indicator light with 3W lamps 12/240 Vac/dc.
Lens comes in choice of five colours.



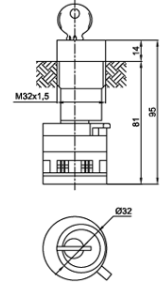
Indicator light with three highbrightness LEDs, for a consumption of 20mA and estimated life of around 50,000 hours. Lens comes in choice of five colours.



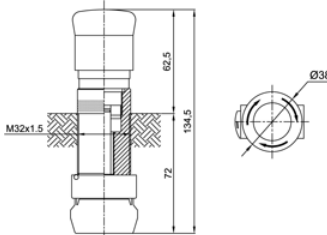
Emergency stop mushroom-head push-button with standard contacts
10A 600V 1NO+1NC. Comprises a red mushroom head push-button.



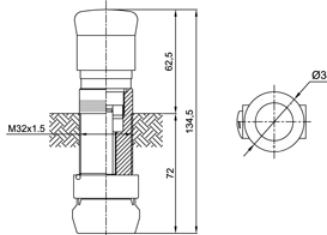
Direct key-operated quick-connect knob for cam switch.
Stainless steel bush



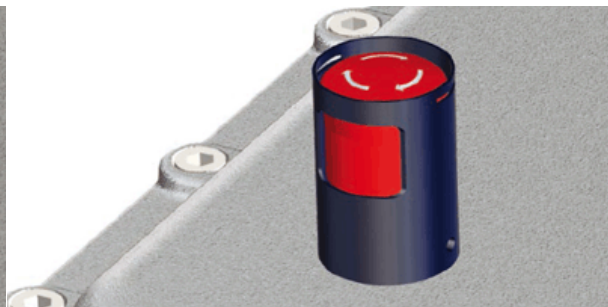
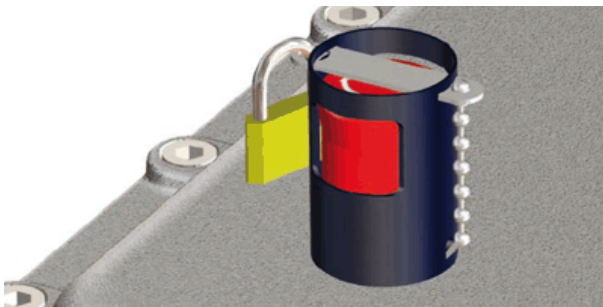
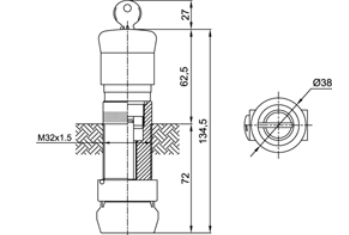
Twist-to-release emergency stop push-button
with standard 10A 600V 1NO+1NC contacts.
Comprises a red button with twist
mechanism for push-button release
(turn to release when button is pressed).



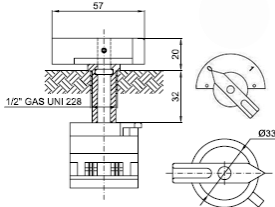
Pull-to-release emergency stop push-button
with standard 10A 600V 1NO+1NC contacts.
Comprises a red button with mechanism for
push-button release
(pull to release when button is pressed).



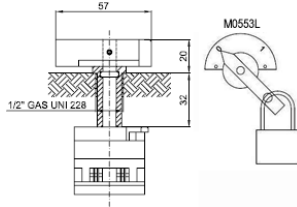
Key-to-release emergency stop push-button
with standard 10A 600V contacts.
Comprises a red button with key mechanism
for push-button release
(use key to release when button is pressed).



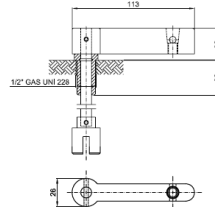
Quick-connect handle for cam or rotary switch. Fixed pin length.



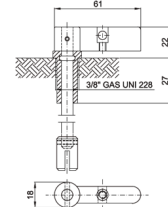
Quick-connect padlockable handle for cam or rotary switch. Fixed pin length.



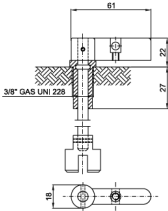
Padlockable handle for cam switch.



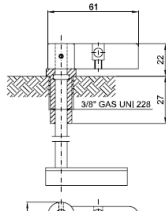
Padlockable handle for switches with Ø6 shaft.



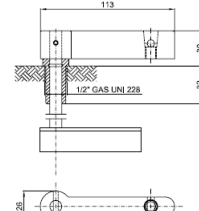
Padlockable handle for special switches (3RV motor protectors).



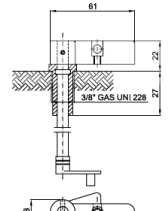
Padlockable handle for enclosed circuit breakers.



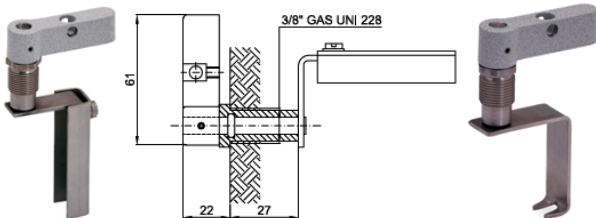
Padlockable handle for heavy-duty series enclosed circuit breakers.



Padlockable handle for modular circuit breakers.



Handle for enclosed circuit breakers. Wall mounting.



Handle for modular circuit breakers. Wall mounting.



Knob for potentiometers with Ø6 shaft

