

Positive Displacement Blowers

NX Series

With experience dating back more than a century, Ingersoll Rand Air Solutions **hibon** has supplied with great success to the market a world-class range of air blowers and vacuum equipment used to provide air/gas volumes at varying pressures above atmospheric, and for vacuum duties.

Continuous research and development of the **hibon** Product range has led to the introduction of the new NX Series of bareshaft blowers.

Their new design incorporates the benefits of improved assembly, lifetime reliability, competitive solution and interchangeability with the previous range.

Range

NX 2, NX 3 and NX 5 : From 100 m³/h to 1 570 m³/h*

NX 8 and NX 12 : From 400 m³/h to 2 822 m³/h*

NX 18 and NX 26 : From 700 m³/h to 4 635 m³/h*

Pressure up to 1 bar eff. — up to 500 mbar

* At maximum speed, except internal leak of the machine.

Features

Rotors: One-piece three-Lobe rotors.

Gears: Helical gears located on the opposite drive side.

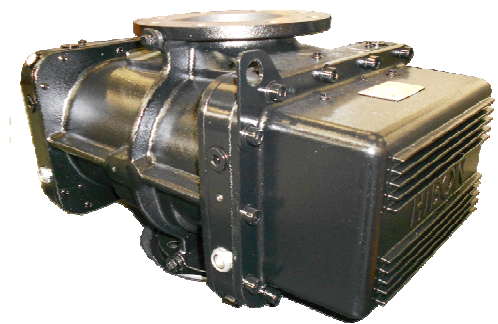
Bearings: Four oversized bearings for lifetime reliability.

Oil reservoir: Large oil reservoir for improved bearing lubrication.

Oil thrower: : Oil thrower and oil passages for good bearing lubrication and long life.

Seals: Four piston ring seals plus a shoulder by sealing for totally oil free operation.

Shaft seals: Dynamic shaft seals arrangement.



Benefits

- High mechanical and volumetric efficiency.
- Auto-adjustments of the lateral clearance to improve repeatability.
- Lifetime reliability.
- 100% oil free operation.
- Blowers without maintenance for 40 000 hours (except oil each year or every two years if you use HIBON LUBE).
- Interchangeable with the previous range.
- Option: 45° mounting feet
- Lifting lugs.

Material of construction

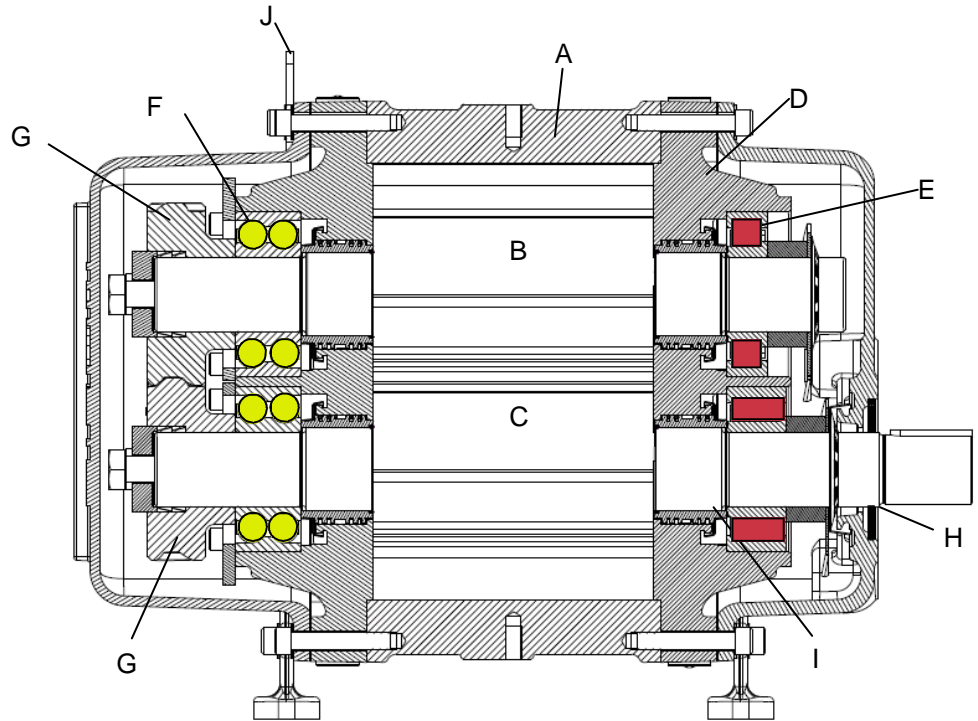
Part	European
Rotor housing	EN-GJL 200
Head plate	EN-GJL 250
Rotors	EN-GJS-400-15
Gears	42 Cr Mo4

Main application

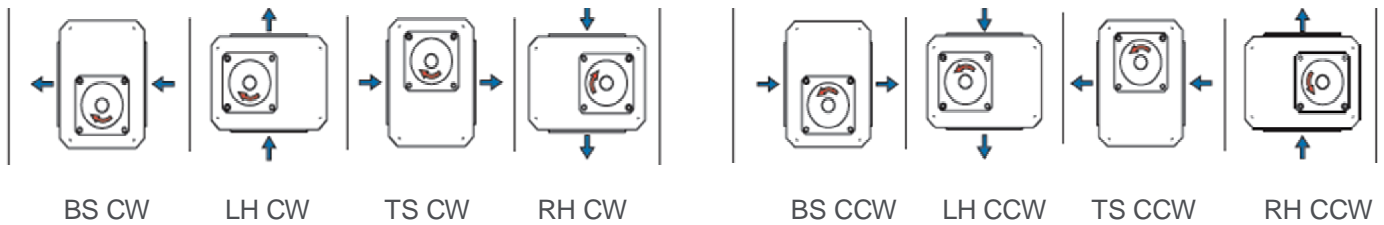
- Water Treatment
- Pneumatic conveying
- Fluidisation
- Flue gas desulphurisation...
- Cement Work
- Metallurgy
- Food industries
- Chemical, petrochemical industries...

Part description

A	Housing
B	Driven Rotor
C	Drive Rotor
D	Head Plate
E	Roller bearings
F	Boll bearings
G	Gears
H	Labyrinth seals
I	Piston ring seals
J	Lifting lugs
K	Feet (in option)



Configurations



Direction of drive shaft rotation

RH = Right Hand
 LH = Left Hand
 BS = Bottom Shaft
 TS = Top Shaft

CCW = Counter clockwise
 CW = Clockwise



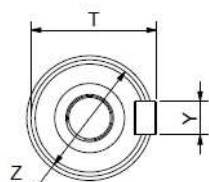
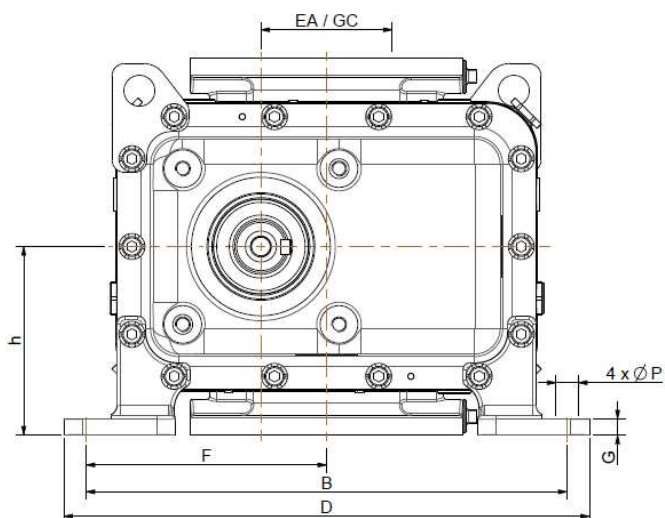
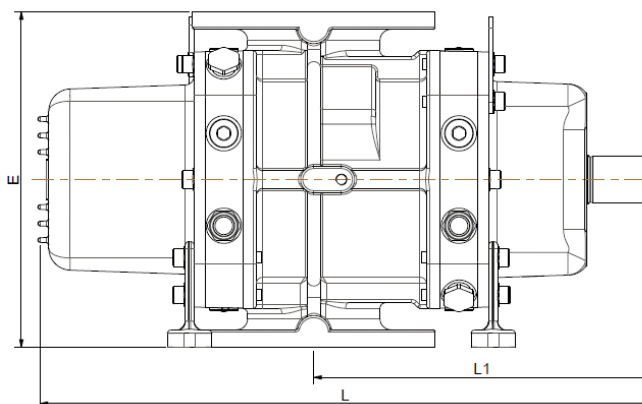
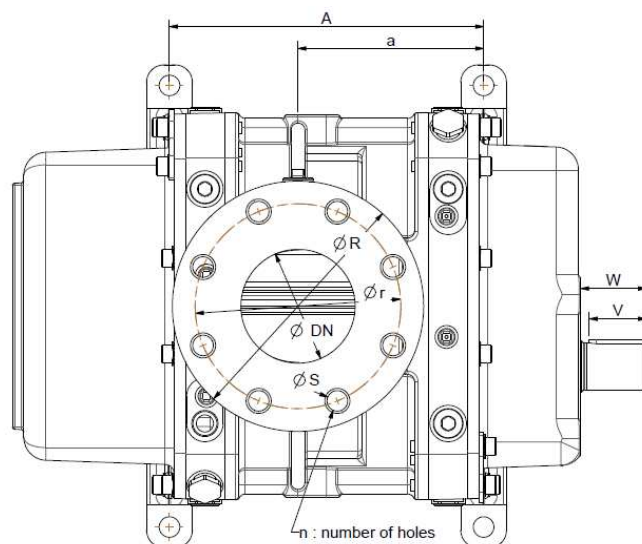
HIBON is a brand of Ingersoll Rand. Ingersoll Rand (NYSE:IR) advances the quality of life by creating and sustaining safe, comfortable and efficient environments. Our people and our family of brands work together to enhance the quality and comfort of air in homes and buildings; transport and protect food and perishables; secure homes and commercial properties; and increase industrial productivity and efficiency. We are a \$14 billion global business committed to a world of sustainable progress and enduring results. For more information, visit ingersollrand.com or www.hibon.com

Positive Displacement Blowers

NX Series

Dimensions (en mm)

	NX 2	NX 3	NX5	NX8	NX12	NX18	NX26
A	205	275	370	355	476	444	589
a	102.5	162.5	213	208	278	222	340
B	388	388	388	475	475	586	586
D	424	424	424	515	515	626	626
E	305	305	305	370	370	450	450
EA	106	106	106	135	135	173	173
F	194	194	194	237.5	237.5	293	293
G	13	13	13	13	13	15	15
h	152.5	152.5	152.5	185	185	225	225
L	485	555	650	672	792	848	993
L1	245	305	355.5	385	454	441	559
T	45	45	45	51.5	51.5	69	69
V	50	50	50	70	70	90	90
W	57.5	57.5	57.5	81	81	102	102
Y	12	12	12	14	14	18	18
Z Ø	42	42	42	48	48	65	65
DN Ø	80	100	100	125	150	200	200
P Ø	18	18	18	18	18	22	22
R Ø	200	220	220	250	285	340	340
r Ø	160	180	180	210	240	295	295
S Ø	18	18	18	18	22	22	22
n (quantity)	8	8	8	8	8	8	8
Weight (kg)	110	125	146	214	257	421	498



Part numbers

Configuration	NX 2		NX 3		NX 5	
	With feet option	Without feet	With feet option	Without feet	With feet option	Without feet
BS CW	F0141501111	F014150111	F0141601111	F014160111	F0141701111	F014170111
LH CW	F0141501011	F014150101	F0141601011	F014160101	F0141701011	F014170101
TS CW	F0141501211	F014150121	F0141601211	F014160121	F0141701211	F014170121
RH CW	F0141501311	F014150131	F0141601311	F014160131	F0141701311	F014170131
BS CCW	F0141501101	F014150110	F0141601101	F014160110	F0141701101	F014170110
LH CCW	F0141501001	F014150100	F0141601001	F014160100	F0141701001	F014170100
TS CCW	F0141501201	F014150120	F0141601201	F014160120	F0141701201	F014170120
RH CCW	F0141501301	F014150130	F0141601301	F014160130	F0141701301	F014170130

Configuration	NX 8		NX 12	
	With feet option	Without feet	With feet option	Without feet
BS CW	F0151001111	F015100111	F0151201111	F015120111
LH CW	F0151501011	F015150101	F0151701011	F015170101
TS CW	F0151001211	F015100121	F0151201211	F015120121
RH CW	F0151501311	F015150131	F0151701311	F015170131
BS CCW	F0151001101	F015100110	F0151201101	F015120110
LH CCW	F0151501001	F015150100	F0151701001	F015170100
TS CCW	F0151001201	F015100120	F0151201201	F015120120
RH CCW	F0151501301	F015150130	F0151701301	F015170130

Configuration	NX 18		NX 26	
	With feet option	Without feet	With feet option	Without feet
BS CW	F0161501111	F016150111	F0161701111	F016170111
LH CW	F0161501011	F016150101	F0161701011	F016170101
TS CW	F0161501211	F016150121	F0161701211	F016170121
RH CW	F0161501311	F016150131	F0161701311	F016170131
BS CCW	F0161501101	F016150110	F0161701101	F0161701101
LH CCW	F0161501001	F016150100	F0161701001	F016170100
TS CCW	F0161501201	F016150120	F0161701201	F016170120
RH CCW	F0161501301	F016150130	F0161701301	F016170130



Nothing contained on this leaflet is intended to extend any warranty or representation, expressed or implied, regarding the product described herein. Any such warranties or other terms and conditions of sale of product shall be in accordance with Ingersoll Rand's standard terms and conditions of sale for such products, which are available upon request. Product improvement is a continuing goal at Ingersoll Rand. Designs and specification are subject to change without notice or obligation.

HIBON is a brand of Ingersoll Rand. Ingersoll Rand (NYSE:IR) advances the quality of life by creating and sustaining safe, comfortable and efficient environments. Our people and our family of brands work together to enhance the quality and comfort of air in homes and buildings; transport and protect food and perishables; secure homes and commercial properties; and increase industrial productivity and efficiency. We are a \$14 billion global business committed to a world of sustainable progress and enduring results. For more information, visit ingersollrand.com or www.hibon.com